

ACCUTRAK™ 1040/9358/9044/9467 ROTARY POSITION MONITORS
WEATHERPROOF – NEMA

Weatherproof rotary position monitors with the option of high-performance resin, powder-coated aluminium and stainless steel enclosures. Impervious to moisture, chemicals and solvents, they offer a range of switching options



FEATURES

Models 1040/9358/2004/9044/9467

- Touch set cams are hand adjustable, spring loaded and self-locking providing quick calibration of position switches and sensors.
- Terminal strips are pre-wired and numbered with generous working space for ease of use.
- Strong durable Beacon™ offers 360° visual indication available in a choice of styles and colors.
- Additional conduit for easy field wiring and mounting accessories as standard.
- Standardized mounting pattern for easy adaptation to common bracketry.
- NAMUR shaft output compliant to VDI/VDE 3845 available.
- 4-20 mA position transmitter option.
- Engineered resin enclosure is robust yet lightweight; allows broad operating temperatures and provides exceptional chemical, UV and impact resistance.
- Aluminum enclosures with ultra-low copper content (0.2% maximum) ensure robust performance in corrosive environments.
- Heavy Duty 316 stainless steel enclosure available.

TECHNICAL DATA

Agency approvals

Enclosure standards (ANSI/NEMA 250)

Models 1040, 9358, 2004, 9044, 9467 NEMA 4, 4X

Switches

Models 1040 V3 mechanical, SPDT

Model 2004 V3 mechanical, SPDT

DPDT (Form CC) mechanical

Model 9358 Magnum (hermetically sealed proximity type) switches

Model 9044 Magnum (hermetically sealed proximity type) switches

MagPAC bifurcated switch pack

Model 9467 V3 mechanical, SPDT

V3 mechanical, gold plated contacts, SPDT

DPDT (Form CC) mechanical

Enclosures

Models 1040, 9358 Engineered resin

Models 2004, 9044 Aluminum

Model 9467 Engineered resin, Stainless steel (option)

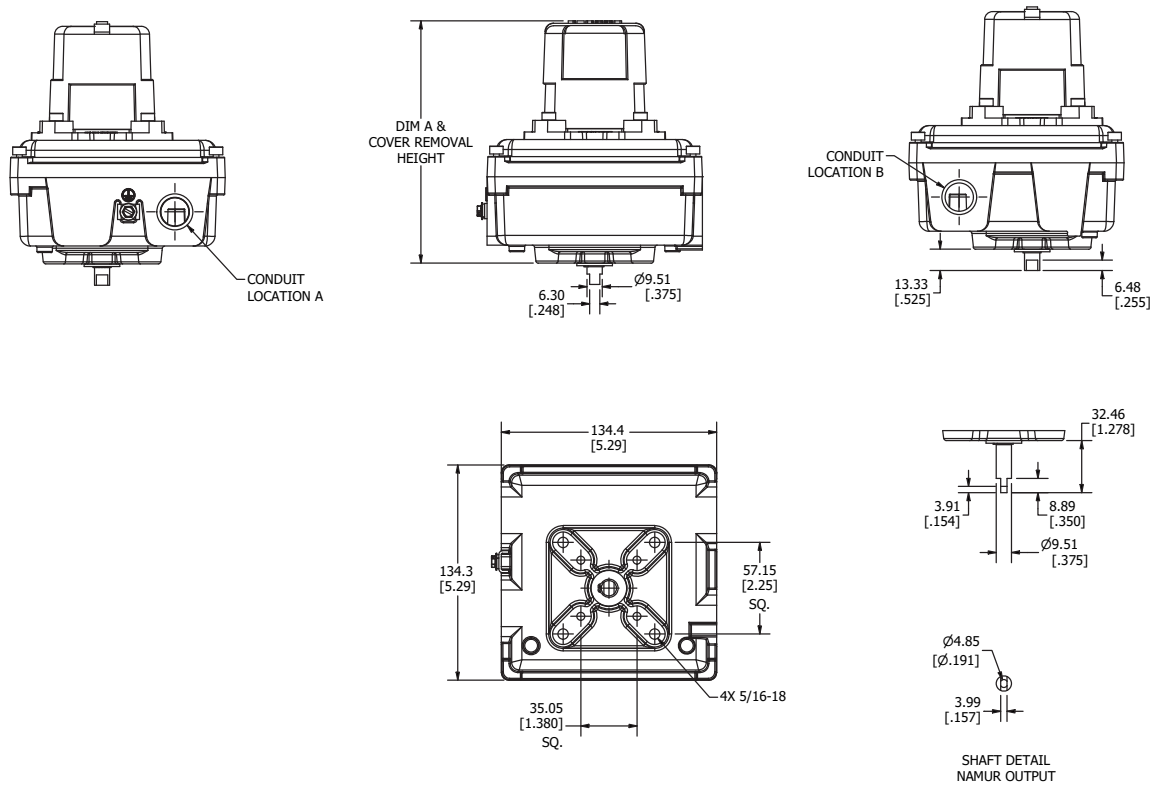
GENERAL APPLICATION

AccuTrak position monitors are ideal for manual and automated rotary valves. They provide consistent and accurate valve monitoring in a compact unit which can be mounted directly or via a valve actuator.

ACCUTRAK™ 1040/9358/9044/9467 ROTARY POSITION MONITORS

WEATHERPROOF – NEMA

MODELS 2004/9044 DIMENSIONS



Dimensions in inches, where available metric dimension (mm) in parentheses

TECHNICAL SPECIFICATIONS

Materials of construction

Enclosure	Aluminum with powder coat finish
Shaft and hardware	Stainless steel
Bushing	Oil impregnated bronze
Beacon visual indicator	Co-polyester

Drive shaft

Standard	Double-D with 1/4" A/F
Option	NAMUR standard VDI/VDE 3845

Available switches

Model 2004	V3 mechanical switches, SPDT DPDT (Form CC) mechanical switches
Model 9044	Magnum, SPDT hermetically sealed switches with tungsten contacts Magnum, SPDT hermetically sealed switches with rhodium contacts MagPAC bifurcated switch pack

Options

4-20 mA Position Transmitter
Stainless steel enclosure

NOTES

1. See selection guide for standard conduit entries.
2. See switches and sensors data sheet for further information.
3. Please consult your sales office for any other requirements.



ACCUTRAK™ WEATHERPROOF ROTARY POSITION MONITORS

MODELS 1040/2004 SELECTION GUIDE

Base model	
1040	Engineered Resin Enclosure
2004	Aluminum Enclosure
Shaft output	
S	Standard (Double-D with 1/4" Flats)
D	Direct mount to Keystone F89 actuators
N	NAMUR
Beacon	
BY	BM2-Y (Black Closed/Yellow Open - Standard)
RG	BM2-RG (Red Closed/Green Open)
FE	BM2-Y-FE (French/English)
B1	BM3-1 (3-way B1 Flowpath)
B3	BM3-3 (3-way B3 Flowpath)
B5	BM3-5 (3-way B5 Flowpath)
B7	BM3-7 (3-way B7 Flowpath)
B9	BM3-7 (3-way B9 Flowpath)
FC	Flat Cover
Conduit	
2A	Two 1/2" NPT (F)
Position switches	
2M02	Two SPDT mechanical switches - 8 pt. Terminal Strip
2M04	Two DPDT mechanical switches - 16 pt. Terminal Strip (Only Available for 2004)
Position Transmitter	
00	None
DS	4-20 mA Digital Signal Position Transmitter - 12 pt. Terminal Strip w/2M02 (Only Available for 2004)
Unit Specialty Codes <i>(leave blank for standard builds)</i>	
00710	12 - pt. Terminal Strip
01351	SIL 3 (Only Available for 1040)
000BR	For Brazilian Approvals, refer to OG-BRZ-026
2004	N
	BY
	2A
	2M02
	00
= Model number 2004NBY2A2M0200	

NOTES

1. Please contact your sales office for guidance on selecting the best possible combination for your control and monitoring requirements.
2. See Hazardous area classification technical bulletin for further information on global standards.