

## QUANTUM™ ROTARY CONTROL MONITORS

INTRINSICALLY SAFE – NEC

Low-power rotary position control monitors for quarter-turn valve applications in intrinsically safe hazardous areas. They offer a variety of switching options and a choice of single or dual-coil Falcon solenoid valves.



### FEATURES

- Quantum enclosures integrate position sensors and low power solenoid valves into a single unit.
- Solenoid coils integrated within Quantum housing.
- Choice of factory pre-wired 3 and 4 way Falcon solenoid valves.
- Solenoid valves with a choice of  $C_v$  ratings and coil voltage.
- Strong durable Beacon™ offers 360° visual indication in a choice of styles and colors.
- Touch set cams are hand adjustable, spring loaded and self-locking providing quick calibration of position switches and sensors.
- Terminal strips are pre-wired and numbered for ease of use.
- Additional conduit for easy field wiring and mounting accessories as standard.
- Standardized mounting pattern for easy adaptation to common bracketry.
- Robust stainless steel conduit entry inserts provide protection from excessive torque and reliable grounding.
- NAMUR shaft output compliant to VDI/VDE 3845 available.
- Engineered resin enclosure is robust, lightweight and provides exceptional chemical, UV and impact resistance.
- Aluminum enclosures with ultra-low copper content (0.2% maximum) suitable for corrosive environments.
- Rugged stainless steel enclosure.

### TECHNICAL DATA

#### Agency approvals

Area classification (NEC 500)  
Models 711/722/811

Intrinsically safe Class I, II & III, Division 1, Groups A, B, C, D, E, F, G, T6,  $T_a = 40^\circ\text{C}$  (Entity) when operated through approved I.S. barriers  
Non-incendive Class I, Division 2, Groups A, B, C, D, T6,  $T_a = 40^\circ\text{C}$

Enclosure standards (ANSI/NEMA 250)

All enclosures

Type 4, 4X

#### Switches

Models 711/722/811

Pepperl + Fuchs inductive proximity sensors  
SPDT mechanical switches, with gold-plated contacts  
Magnum, SPDT hermetically-sealed magnetic proximity switches

#### Enclosures

Models 711/811

Model 722

Models 722/811

Engineered resin

Aluminum

Stainless steel

#### Falcon solenoid valves

$C_v$

Choice of 1.4 and 4.3

Materials

Brass, aluminum and stainless steel

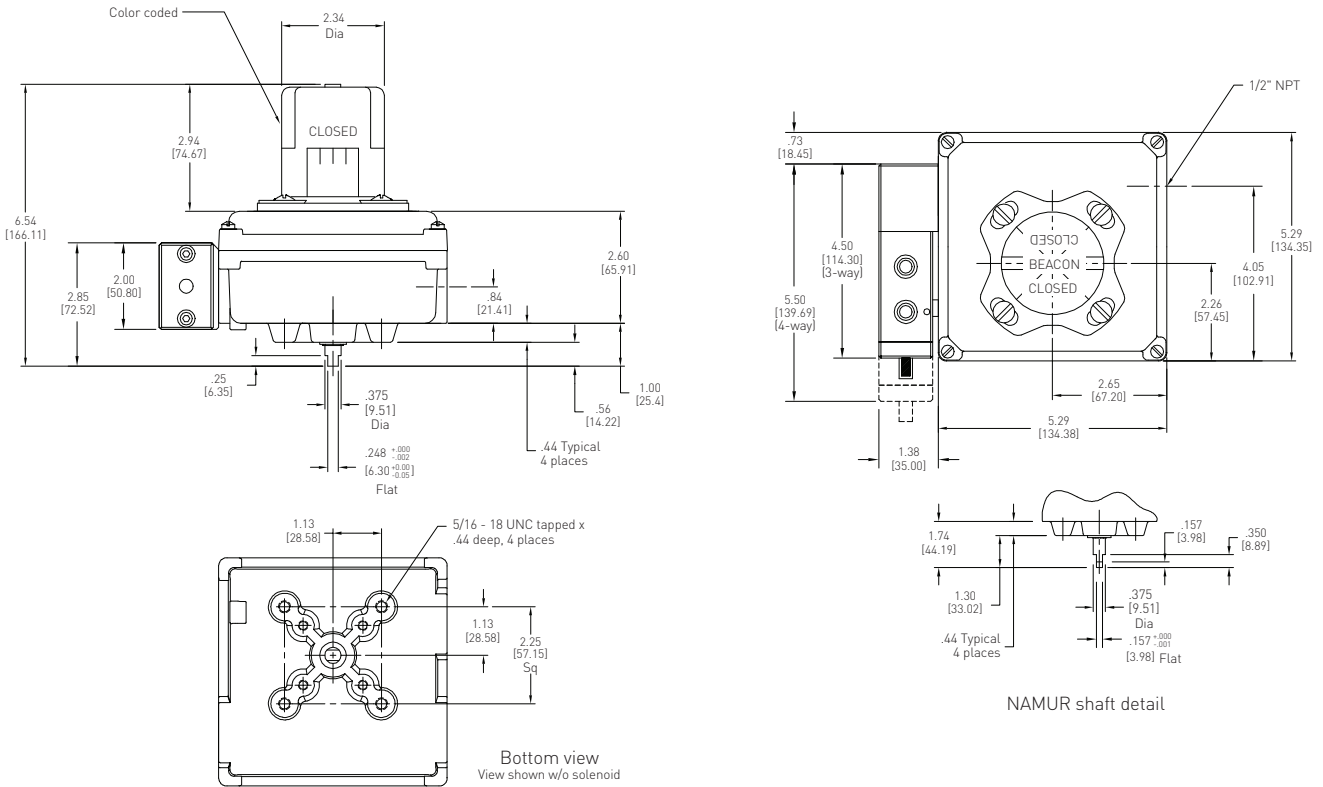
### GENERAL APPLICATION

Quantum control monitors combine consistent and accurate valve monitoring with the control of automation process valves using integrated position sensors and low power solenoid valves in a single compact unit.

# QUANTUM™ ROTARY CONTROL MONITORS

INTRINSICALLY SAFE – NEC

## MODEL 722 DIMENSIONS



Dimensions in inches, where available metric dimension (mm) in parentheses

## TECHNICAL SPECIFICATIONS

### Materials of construction

Enclosure	Aluminum with powder coat finish
Shaft and hardware	Stainless steel
Bushing	Oil impregnated bronze
Beacon visual indicator	Co-polyester

### Drive shaft

Westlock standard	Double-D with 1/4" A/F
NAMUR standard	NAMUR standard VDI/VDE 3845

### Available switches

Pepperl + Fuchs NJ2-V3-N inductive proximity sensors
SPDT mechanical switches, with gold-plated contacts
Magnum, SPDT hermetically-sealed magnetic proximity switches

### Options

Stainless steel enclosure
---------------------------

## SOLENOID VALVES

The Falcon range of solenoid valves allows you to choose the material, voltage, number of ports, number of coils and C<sub>v</sub> to best suit your application. See the Falcon data sheet for more information.



## NOTES

1. See selection guide for standard conduit entries
2. See switches & sensors data sheet for further information
3. Please consult your sales office for any other requirements

# QUANTUM™ INTRINSICALLY SAFE ROTARY CONTROL MONITORS

## MODELS 711/722/811 SELECTION GUIDE

<b>Base model</b>									
711-	Engineered resin enclosure								
722-	Aluminum enclosure <sup>[3]</sup>								
811-	Engineered resin enclosure for dual coil <sup>[5]</sup>								
<b>Shaft output</b>									
S	Standard (double-D with ¼" flats)								
N	NAMUR								
<b>Beacon</b>									
BY	BM2-Y (standard)				B1	BM3-1			
RG	BM2-RG				B3	BM3-3			
FE	BM2-Y-FE (French/English)				B5	BM3-5			
AB	BM2-B				B7	BM3-7			
AR	BM2-R				B9	BM3-9			
FC	Flat cover								
<b>Conduit</b>									
1A	One ½" NPT (F)								
1B	One ¾" NPT (F)								
2A	Two ½" NPT (F)								
2B	Two ¾" NPT (F)								
<b>Position switches</b>									
2M08	Two P+F sensors model NJ2-V3-N - 8 pt. TS								
2M09	Two SPDT mechanical switches with gold-plated contacts - 8 pt. TS								
2M12	Two SPDT Magnum switches with rhodium contacts - 8 pt. TS								
<b>Analog position transmitter</b>									
00	Not available								
<b>Coil voltage</b>									
I	24 V DC IS coil								
<b>Falcon V valve body</b>									
2V3	1.4 Cv, 3-way, brass				2V7	1.4 Cv, 4-way, brass			
3V3	1.4 Cv, 3-way, aluminum				3V7	1.4 Cv, 4-way, aluminum			
5V3	1.4 Cv, 3-way, 316 SS				5V7	1.4 Cv, 4-way, 316 SS			
3V4	4.3 Cv, 3-way, aluminum**				3V8	4.3 Cv, 4-way, aluminum			
2VY	1.4 Cv, dual coil, brass*				3VY	1.4 Cv, dual coil, aluminum*			
5VY	1.4 Cv, dual coil, 316 SS*				3VZ	4.3 Cv, dual coil, aluminum*			
<b>Valve options</b>									
0	None								
M	Momentary over-ride								
L	Locking over-ride								
R	Manual reset								
N	Manual reset with latch								
E	External pilot								
711-	N	BY	1A	2M12	00	I	3V3	0	= Model number <b>711-NBY1A2M1200I3V30</b>

### NOTES

- \* Dual coil valve body options only available with base model 811
- \*\* 3V4 valves are 3V8 valves with ports 2 & 3 plugged at the factory for 3-way functionality

1. Please contact your sales office for guidance on selecting the best possible combination for your control and monitoring requirements.
2. See Hazardous area classification technical bulletin for further information on global standards.
3. For stainless steel enclosure, please add '00124' to the end of your part number built with the above selection guide.