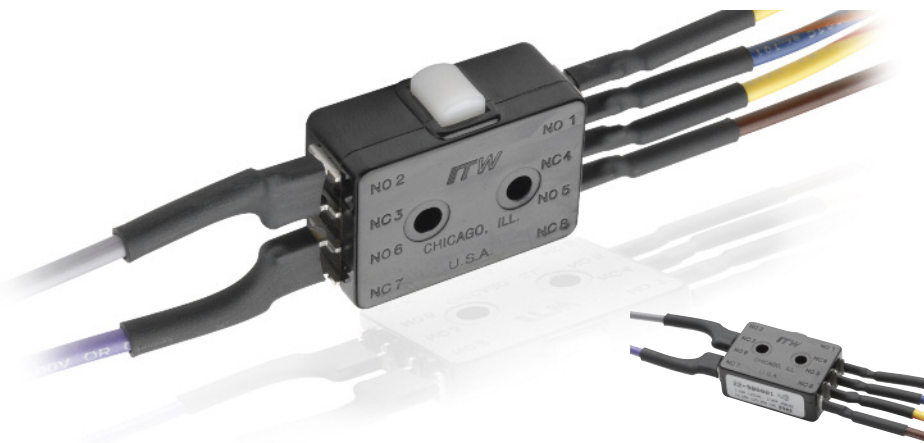
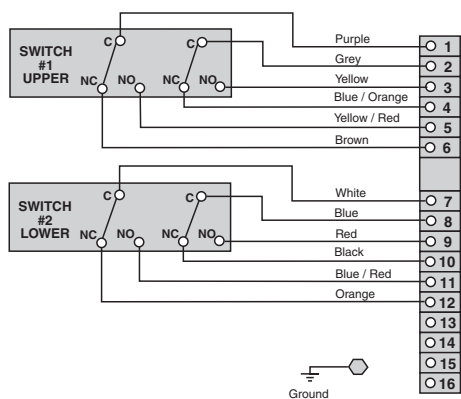




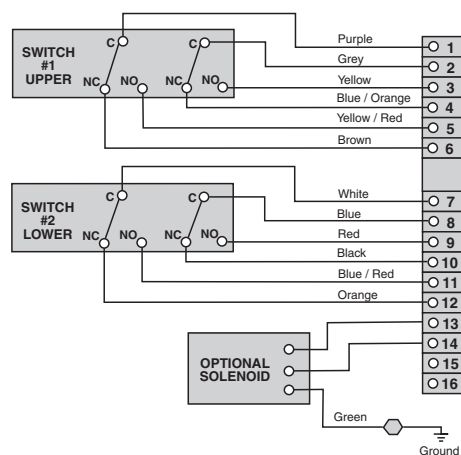
## DPDT Switch (Licon) - Mechanical



### 2 - DPDT Mechanical Switches with 16 Point Terminal Strip



### 2 - DPDT Mechanical Switches with Solenoid and 16 Point Terminal Strip



#### Technical Data

Contacts	Silver Plated
Approvals	UL, CSA

#### Electrical Rating

Contact Arrangement	DPDT (Form CC)
	10 amps/125/250 VAC
	10 amps/28 VDC

#### Dimensions [mm]

