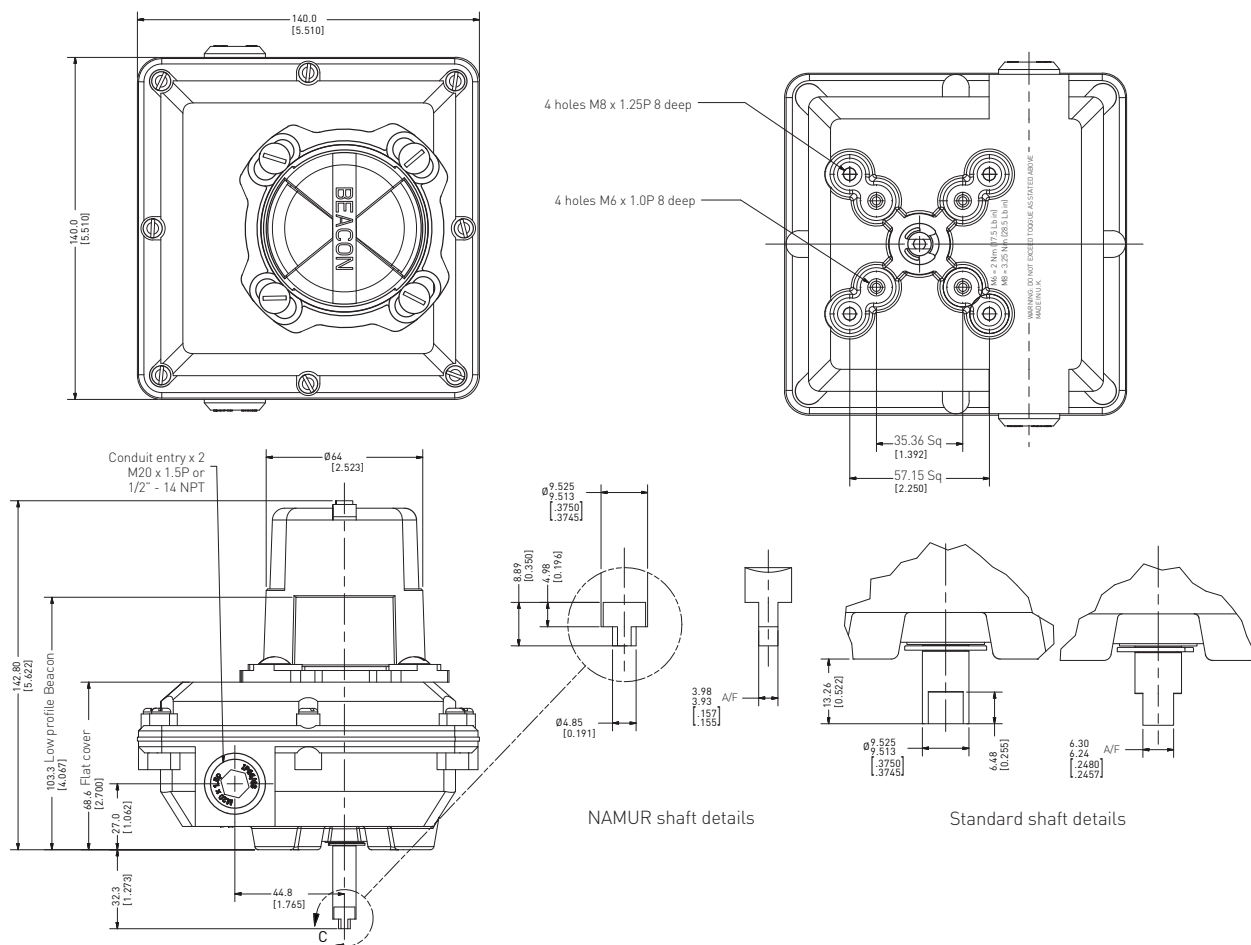


ACCUTRAK™ ROTARY POSITION MONITORS

WEATHERPROOF – IEC

3200 SERIES RESIN ENCLOSURE DIMENSIONS



Dimensions in mm, imperial dimensions (inches) in parenthesis

TECHNICAL SPECIFICATIONS

Materials of construction

Enclosure	Engineered resin
Shaft and hardware	Stainless steel
Bushing	Nylon
Beacon visual indicator	Co-polyester

Drive shaft

Westlock standard	Double-D with 1/4" A/F
NAMUR standard	NAMUR standard VDI/VDE 3845

Available switches

V3 SPDT mechanical switches
DPDT mechanical switches
Magnum SPDT (hermetically sealed proximity type) switches
V3 inductive proximity sensors

NOTES

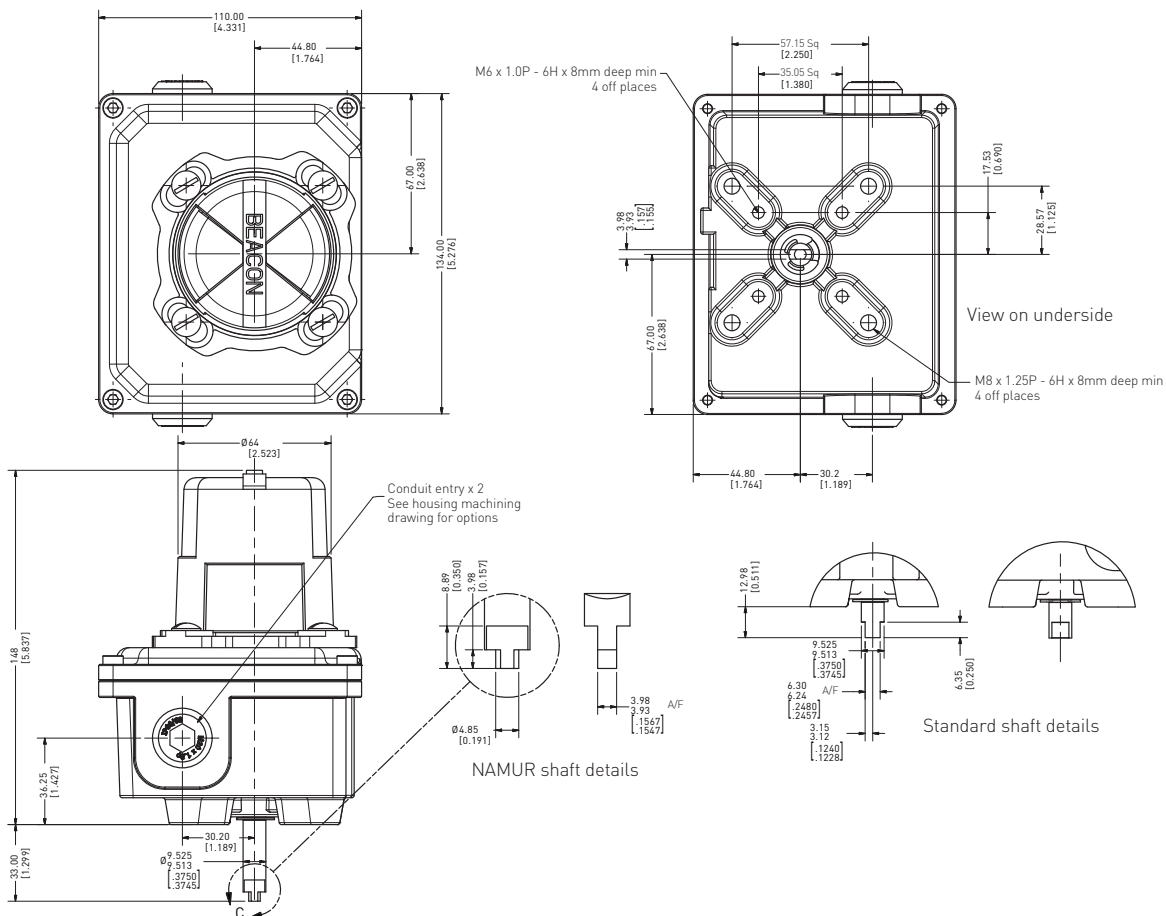
1. See selection guide for standard conduit entries
2. See switches & sensors data sheet for further information
3. Please consult your sales office for any other requirements



ACCUTRAK™ ROTARY POSITION MONITORS

WEATHERPROOF – IEC

3200 SERIES ALUMINIUM & STAINLESS STEEL ENCLOSURE DIMENSIONS



Dimensions in mm, imperial dimensions (inches) in parenthesis

TECHNICAL SPECIFICATIONS

Materials of construction

Enclosure	Aluminum with powder coat finish
	Stainless steel with electropolished finish
Shaft and hardware	Stainless steel
Bushing	Oil impregnated bronze (aluminum enclosure)
	PTFE (stainless steel enclosure)
Beacon visual indicator	Co-polyester

Drive shaft

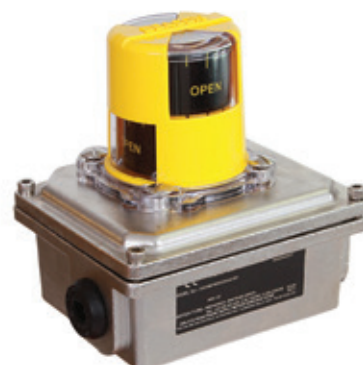
Westlock standard	Double-D with 1/4" A/F
NAMUR standard	NAMUR standard VDI/VDE 3845

Available switches

	V3 SPDT mechanical switches
	DPDT mechanical switches
	Magnum SPDT (hermetically sealed proximity type) switches
	V3 inductive proximity sensors

NOTES

1. See selection guide for standard conduit entries
2. See switches & sensors data sheet for further information
3. Please consult your sales office for any other requirements



ACCUTRAK™ WEATHERPROOF ROTARY POSITION MONITORS

3200/3500 SERIES SELECTION GUIDE

Housing

- 32 3200 with flanged lid
- 35 3500 with flanged lid

Cover style

- 4 With Beacon
- 6 Flat cover

Switch type

- 1 Pneumatic (3500 only)
- 5 Microswitch SPDT
- 6 Microswitch DPDT
- 7 P&F inductive sensor
- 8 Other inductive proximity
- 9 Magnum SPDT
- 0 No switches fitted

Material

- A Aluminium
- R Engineered resin
- S Stainless steel

Beacon type and color

- | | | | |
|----|--------------------------|----|--------------------|
| BY | Black/Yellow | B1 | BM3-1 pattern 90° |
| LY | Black/Yellow low profile | B3 | BM3-3 pattern 90° |
| AR | ANSI Red/White | B5 | BM3-5 pattern 90° |
| GR | Green/Red | B7 | BM3-7 pattern 180° |
| 00 | No Beacon fitted | B9 | BM3-9 pattern 180° |

Drive shaft type

- S Westlock standard – ¼" A/F (6.32 mm)
- N NAMUR standard shaft – VDI/VDE 3845
- * Non-standard material and build (consult sales office)

Ancillary options

- 000 No ancillary options
- *** Non-standard material and build (consult sales office)

Switch/sensor quantity

- 0 No switch/sensor fitted
- 1 One switch/sensor
- 2 Two switches/sensors
- 3 Three switches/sensors (consult sales office for 3500 Series only)
- 4 Four switches/sensors (consult sales office for 3500 Series only)

Conduit entries supplied

- 2 Two entries – All enclosures
- 3 Three entries (consult sales office for 3500 Series only)

Unit specification

- AAA Standard build- M20 conduit entries
- ADZ ¾" NPT conduit entries
- DAV M25 conduit entries
- FAN ½" NPT conduit entries
- *** Non-standard material (consult sales office)

Certification

- 0 Non-hazardous

Revision

- R* Internal revision #

32 4 6 R BY N 000 2 2 AAA 0 R1 = Model number **3246RBYN0002AAA-0R1**

NOTES

1. Please contact your sales office for guidance on selecting the best possible combination for your control and monitoring requirements.
2. See Hazardous area classification technical bulletin for further information on global standards.