

QUANTUM™ ROTARY CONTROL MONITORS

WEATHERPROOF – IEC

Weatherproof rotary control monitors with a choice of enclosure materials. Impervious to moisture, chemicals and solvents, they offer a variety of switching options and single or dual coil solenoid valves



FEATURES

- Weatherproof design meeting a wide range of worldwide approvals.
- Quantum enclosures integrate position sensors and low power solenoid valves into a single unit.
- Solenoid coils integrated within Quantum housing.
- Choice of factory pre-wired 3/2 and 5/2 way Falcon solenoid valves.
- Solenoid valves with a choice of C_v ratings and coil voltage.
- Strong durable Beacon™ offers 360° visual indication available in a choice of styles and colors.
- Touch set cams are hand adjustable, spring loaded and self-locking providing quick calibration of position switches and sensors.
- Terminal strips are pre-wired and numbered with generous working space for ease of use.
- Additional conduit for easy field wiring and mounting accessories as standard.
- Switch stabilization plate.
- Wide range of switches and sensors.
- Standardized mounting pattern for easy adaptation to common bracketry.
- Range of drive shaft options.
- Engineered resin enclosure is robust yet lightweight; allows broad operating temperatures and provides exceptional chemical, UV and impact resistance.
- Aluminum enclosures with ultra-low copper content (0.2% maximum) ensure robust performance in corrosive environments.
- Rugged stainless steel option.
- IP rated plugs certified where applicable.

TECHNICAL DATA

Agency approvals

Enclosure standards (IEC)
3200/3800/8800 series

IP66/67

Switches

3200/3800/8800 series

V3 SPDT mechanical switches
DPDT mechanical switches
Magnum SPDT (hermetically sealed proximity type switches)
V3 inductive proximity sensor

Enclosures

3800/8800 series
3200/3800/8800 series
3200/3800/8800 series

Engineered resin
Aluminum
Stainless steel

Falcon solenoid valves

C_v
Materials

Choice of 1.1, 3.5
Aluminum and stainless steel

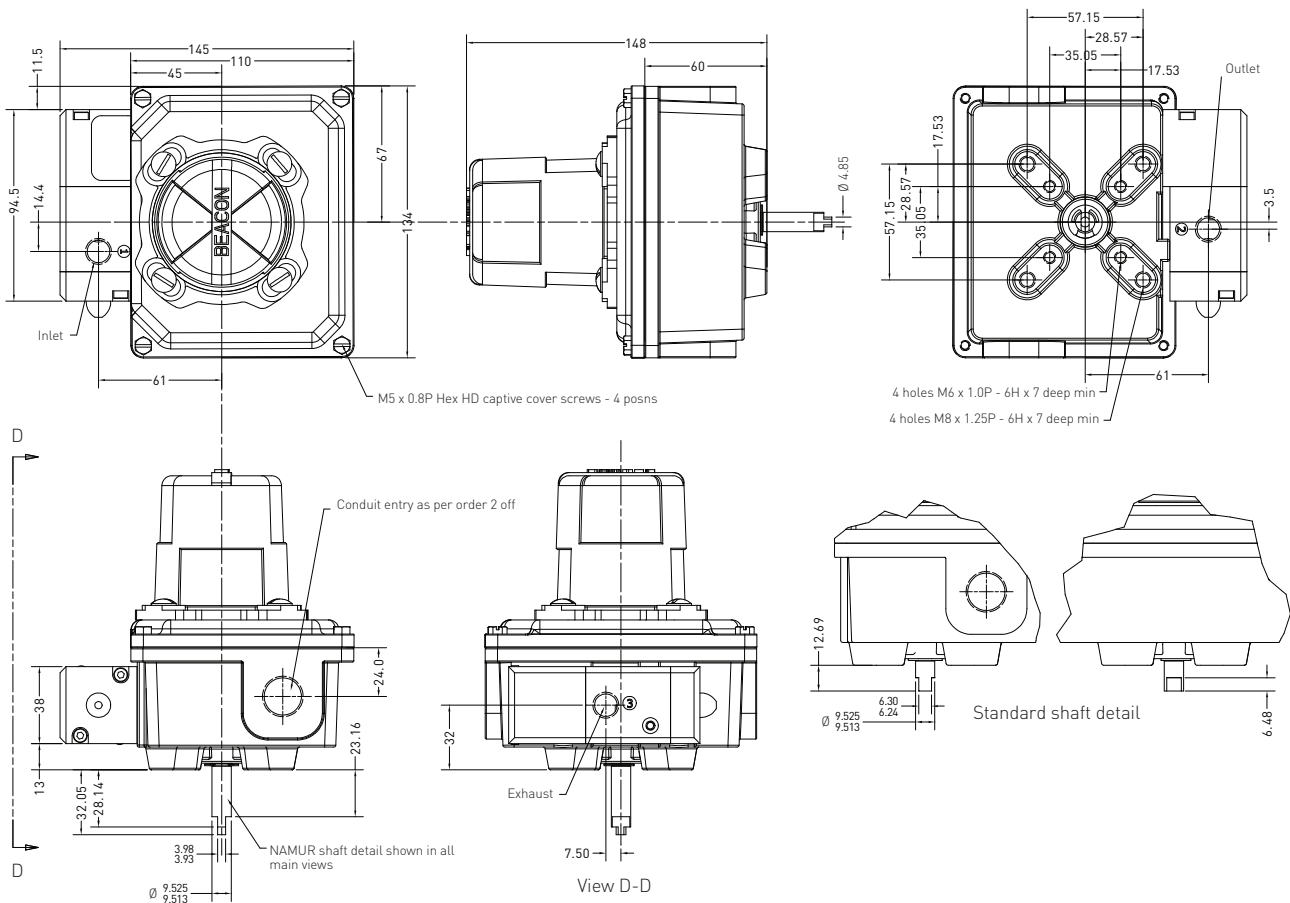
GENERAL APPLICATION

Quantum control monitors combine consistent and accurate valve monitoring with the control of automation process valves using integrated position sensors and low power solenoid valves in a single compact unit.

QUANTUM™ ROTARY CONTROL MONITORS

WEATHERPROOF – IEC

3200 SERIES ALUMINUM AND STAINLESS STEEL ENCLOSURE DIMENSIONS



Dimensions in mm, imperial dimensions (inches) in parenthesis

TECHNICAL SPECIFICATIONS

Materials of construction

Enclosure	Aluminum with powder coat finish Stainless steel with electropolished finish
Shaft and hardware	Stainless steel
Bushing	PTFE (stainless steel) Oil impregnated bronze (aluminum enclosure)
Beacon visual indicator	Co-polyester

Drive shaft

Westlock standard	Double-D with 1/4" A/F
NAMUR standard	NAMUR standard VDI/VDE 3845

Available switches

V3 SPDT mechanical switches
DPDT mechanical switches
Magnum, SPDT (hermetically sealed proximity type) switches with tungsten contacts
V3 inductive proximity sensor

NOTES

1. See selection guide for standard conduit entries
2. See switches & sensors data sheet for further information
3. Please consult your sales office for any other requirements

SOLENOID VALVES

The Falcon range of solenoid valves allows you to choose the material, voltage, number of ports, number of coils and C_v to best suit your application. See the Falcon II data sheet for more information.



QUANTUM™ WEATHERPROOF ROTARY CONTROL MONITORS

3200/3800/8800 SERIES SELECTION GUIDE

Housing

- 32 3200 with flanged lid (single coil)
- 38 3800 with flanged lid (single coil)
- 88 8800 with flanged lid (single and dual coil)

Cover style

- 4 With Beacon
- 6 Flat cover

Switch type

- | | |
|--------------------|----------------------|
| 5 Microswitch SPDT | 9 Magnum SPDT |
| 6 Microswitch DPDT | 0 No switches fitted |
| 7 Inductive sensor | |

Material

- A Aluminum
- R Engineered resin (3800/8800 only)
- S Stainless steel

Beacon type and color

- | | |
|-------------------------------|-----------------------|
| BY Black/Yellow | B1 BM3-1 pattern 90° |
| LY Black/Yellow (low profile) | B3 BM3-3 pattern 90° |
| AR ANSI Red/White | B5 BM3-5 pattern 90° |
| GR Green/Red | B7 BM3-7 pattern 180° |
| 00 No Beacon fitted | B9 BM3-9 pattern 180° |

Drive shaft type

- S Westlock standard - 1/4" A/F (6.32 mm)
- N NAMUR standard shaft - VDI/VDE 3845
- * Non-standard (consult sales office)

Solenoid body material

- A Anodized aluminum
- E Stainless steel

Solenoid coil voltage

- | | |
|-----------|----------------|
| C 24 V DC | G 90-120 V DC |
| D 24 V AC | H 90-120 V AC |
| E 48 V DC | I 220-240 V DC |
| F 48 V AC | J 220-240 V AC |

Solenoid valve specification

- | | |
|---------------------------------|---------------------------------|
| [1/4" BSP entry; 1.1 Cv] | [1/4" NPT entry; 1.1 Cv] |
| K 3/2 way - fail closed | U 3/2 way - fail closed |
| L 3/2 way - fail open | V 3/2 way - fail open |
| Q 5/2 way - fail closed | 1 5/2 way - fail closed |
| S 5/2 way - dual coil fail last | 3 5/2 way - dual coil fail last |

Switch/sensor quantity

- 0 No switch/sensor fitted
- 1 One switch/sensor
- 2 Two switches/sensors
- 3 Three switches/sensors (consult sales office for 8800 series only)
- 4 Four switches/sensors (consult sales office for 8800 series only)

Conduit entries supplied

- 2 Two entries - All enclosures
- 3 Three entries (8800 series only)
- 4 Four entries (consult sales office for 8800 series only)

Unit specification

- AAA Standard build- M20 conduit entries
- ADZ 3/4" NPT conduit entries
- DAV M25 conduit entries
- FAN 1/2" NPT conduit entries
- *** Non-standard material - (consult sales office)

Certification

- 0 Non-hazardous

Revision

- R* Internal revision #

32 4 5 A BY N A C K 2 2 AAA 0 R1 = Model number **3245ABYNACK22AAA-0R1**

NOTES

1. Please contact your sales office for guidance on selecting the best possible combination for your control and monitoring requirements.