

## QUANTUM™ ROTARY CONTROL MONITORS

FLAMEPROOF – ATEX/IEC

Rotary control monitors certified to Exd Flameproof and specifically engineered for hazardous environments. Available with aluminum or stainless steel enclosures and a range of solenoid valve options



### FEATURES

- Flameproof design meeting a wide range of worldwide approvals.
- Quantum enclosures integrate position sensors and low power solenoid valves into a single unit.
- Solenoid coils integrated within Quantum housing.
- Choice of factory pre-wired 3/2 and 5/2 way Falcon solenoid valves.
- Solenoid valves with a choice of C<sub>v</sub> ratings and coil voltage.
- Strong durable Beacon™ offers 360° visual indication in a choice of styles and colors.
- Touch set cams are hand adjustable, spring loaded and self-locking providing quick calibration of position switches and sensors.
- Terminal strips are pre-wired and numbered for ease of use.
- Switch stabilization plate.
- Wide range of switches and sensors.
- Additional conduit for easy field wiring and mounting accessories as standard.
- Standardized mounting pattern for easy adaptation to common bracketry.
- Range of drive shaft options.
- Aluminum enclosures with ultra-low copper content (0.2% maximum) suitable for corrosive environments.
- Rugged stainless steel enclosures.
- IP rated plugs certified where applicable.

### TECHNICAL DATA

#### Agency approvals

Area classification (ATEX/IEC)

2200 series	Ex II 2G Exd IIB +H2 Ex tD A21 IP6X
2600 series	Ex II 2G Exd IIC Ex tD A21 IP6X

Enclosure standards (IEC)

2200/2600 series	IP66/67
------------------	---------

#### Switches

2200/2600 series	V3 SPDT mechanical switches DPDT mechanical switches V3, slotted and barrel inductive proximity sensors Magnum, SPDT (hermetically sealed proximity type) switches G0 hermetically sealed switches, SPDT (2200 series only)
------------------	---

#### Enclosures

2200/2600 series	Aluminum Stainless steel
------------------	-----------------------------

#### Falcon solenoid valves

C <sub>v</sub>	Choice of 1.1, 3.5
Materials	Aluminum and stainless steel

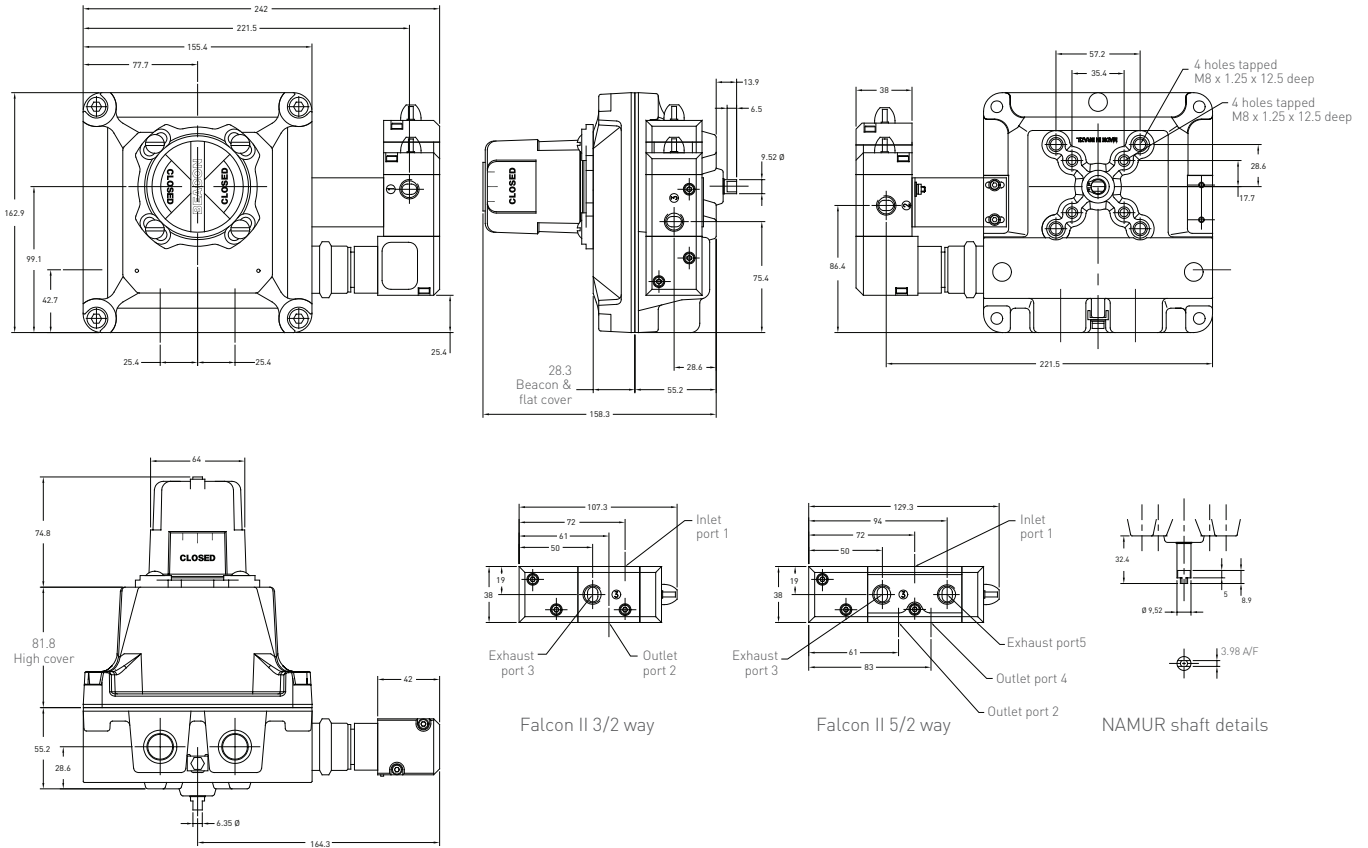
### GENERAL APPLICATION

Quantum control monitors combine consistent and accurate valve monitoring with the control of automation process valves using integrated position sensors and low power solenoid valves in a single compact unit.

# QUANTUM™ ROTARY CONTROL MONITORS

## FLAMEPROOF – ATEX/IEC

### 2200 SERIES DIMENSIONS



Dimensions in mm, imperial dimensions (inches) in parenthesis

### TECHNICAL SPECIFICATIONS

#### Materials of construction

Enclosure	Aluminum with powder coat finish
	Stainless steel with electropolished finish
Temp. range	-30°C to +85°C (Flat cover -20°C to +85°C)
Shaft and hardware	Stainless steel
Bushing	PTFE (stainless steel enclosure)
	Oil impregnated bronze (aluminum enclosure)
Beacon visual indicator	Co-polyester

#### Drive shaft

Westlock standard	Double-D with 1/4" A/F
NAMUR standard	NAMUR standard VDI/VDE 3845

#### Available switches

	V3 SPDT mechanical switches
	DPDT mechanical switches
	V3 slotted and barrel inductive proximity sensors
	Magnum SPDT (hermetically sealed proximity type) switches
	G0 hermetically sealed switches, SPDT

### NOTES

1. See selection guide for standard conduit entries
2. See switches & sensors data sheet for further information
3. Please consult your sales office for any other requirements

### SOLENOID VALVES

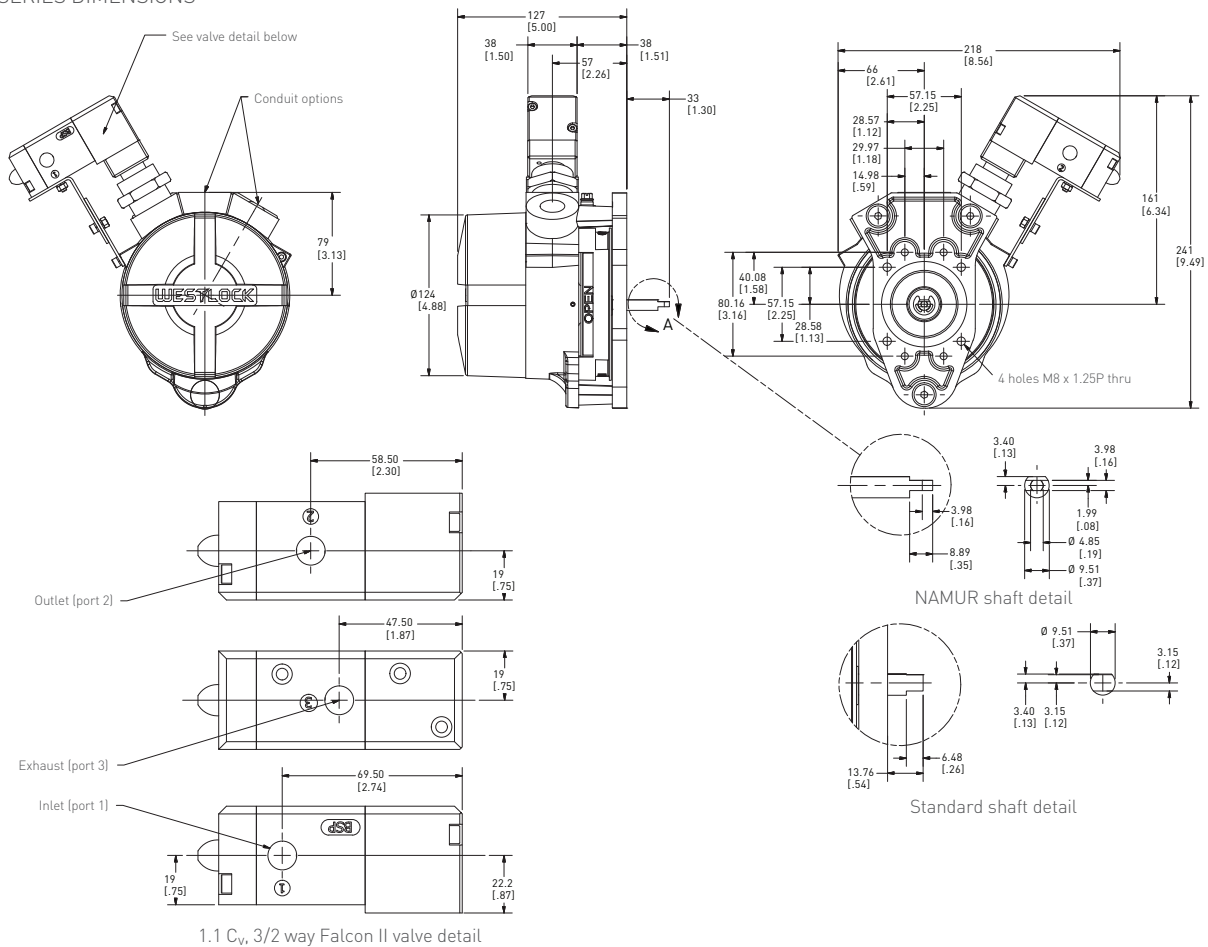
The Falcon range of solenoid valves allows you to choose the material, voltage, number of ports, number of coils and Cv to best suit your application. See the Falcon II data sheet for more information.



# QUANTUM™ ROTARY CONTROL MONITORS

## FLAMEPROOF – ATEX/IEC

### 2600 SERIES DIMENSIONS



Dimensions in mm, imperial dimensions (inches) in parenthesis

### TECHNICAL SPECIFICATIONS

#### Materials of construction

Enclosure	Aluminum with powder coat finish Stainless steel with electropolished finish
Temp. range	-60°C to +110°C
Shaft and hardware	Stainless steel with electropolished finish
Bushing	PTFE (stainless steel enclosure) Oil impregnated bronze (aluminum enclosure)
Beacon visual indicator	Co-polyester

#### Drive shaft

Westlock standard	Double-D with 1/4" A/F
NAMUR standard	NAMUR standard VDI/VDE 3845

#### Available switches

V3 SPDT mechanical switches
DPDT mechanical switches
V3 slotted and barrel inductive proximity sensors
Magnum SPDT (hermetically sealed proximity type) switches

### NOTES

1. See selection guide for standard conduit entries
2. See switches & sensors data sheet for further information
3. Please consult your sales office for any other requirements

### SOLENOID VALVES

The Falcon range of solenoid valves allows you to choose the material, voltage, number of ports, number of coils and C<sub>v</sub> to best suit your application. See the Falcon II data sheet for more information.



# QUANTUM™ FLAMEPROOF ROTARY CONTROL MONITORS

## 2200/2600 SERIES SELECTION GUIDE

<b>Housing</b>														
22	2200 with flanged lid													
26	2600 with screw lid													
<b>Cover style</b>														
4	With Beacon visual indication													
6	No visual indication													
<b>Switch type</b>														
3	GO switch SPDT (2200 series only)						7	Inductive sensor						
5	Microswitch SPDT contacts						9	Magnum proximity switch						
6	Microswitch DPDT contacts						0	No switches fitted						
<b>Material</b>														
A	Aluminum													
S	Stainless steel													
<b>Beacon type and color</b>														
BY	Black/Yellow						B1	BM3-1 pattern 90°						
RU	Black/yellow (Russian) (2600 only)						B3	BM3-3 pattern 90°						
AR	ANSI Red/White						B5	BM3-5 pattern 90°						
GR	Green/Red						B7	BM3-7 pattern 180°						
00	No Beacon fitted						B9	BM3-9 pattern 180°						
<b>Drive shaft type</b>														
S	Westlock standard – ¼" A/F (6.32 mm)													
N	NAMUR standard shaft – VDI/VDE 3845													
*	Non-standard material and build (consult sales office)													
<b>Solenoid body material</b>														
A	Anodized aluminum													
E	Stainless steel													
<b>Solenoid coil voltage</b>														
C	24 V DC						H	90-120 V AC						
G	90-120 V DC						J	220-240 V AC						
<b>Solenoid valve specification</b>														
<b>(¼" BSP entry; 1.1 Cv)</b>												<b>(½" NPT entry; 1.1 Cv)</b>		
K	3/2 way - fail closed						U	3/2 way - fail closed						
L	3/2 way - fail open						V	3/2 way - fail open						
Q	5/2 way - fail closed						1	5/2 way - fail closed						
<b>Switch/sensor quantity</b>														
0	No switch/sensor fitted													
1	One switch/sensor													
2	Two switches/sensors													
3	Three switches/sensors (consult sales office for 2200 series)													
4	Four switches/sensors (consult sales office for 2200 series)													
<b>Conduit entries supplied</b>														
2	Two entries – all enclosures													
3	Three entries – (consult sales office)													
<b>Unit specification</b>														
AAA	Standard build- M20 conduit entries													
ABM	Gold plated switches													
ADZ	¾" NPT conduit entries													
BEI	Rhodium plated switches													
DAV	M25 conduit entries													
FAN	½" NPT conduit entries													
***	Non-standard material (consult sales office)													
<b>Certification</b>														
A	ATEX & IECEx													
*	Other options (consult sales office)													
<b>Revision</b>														
R*	Internal revision #													
26	4	9	A	BY	N	A	C	K	2	2	AAA	A	R2	= Model number <b>2649ABYNACK22AAA-AR2</b>



### NOTES

1. Please contact your sales office for guidance on selecting the best possible combination for your control and monitoring requirements.
2. See Hazardous area classification technical bulletin for further information on global standards.

**WESTLOCK CONTROLS**  
 280 N. Midland Avenue, Ste 258  
 Saddle Brook, NJ 07663  
 United States

Crane Co., and its subsidiaries cannot accept responsibility for possible errors in catalogues, brochures, other printed materials, and website information. Crane Co. reserves the right to alter its products without notice, including products already on order provided that such alteration can be made without changes being necessary in specifications already agreed. All trademarks in this material are the property of the Crane Co. or its subsidiaries. The Crane and Crane brands logotype (WESTLOCK CONTROLS®) are registered trademarks of Crane Co. All rights reserved.