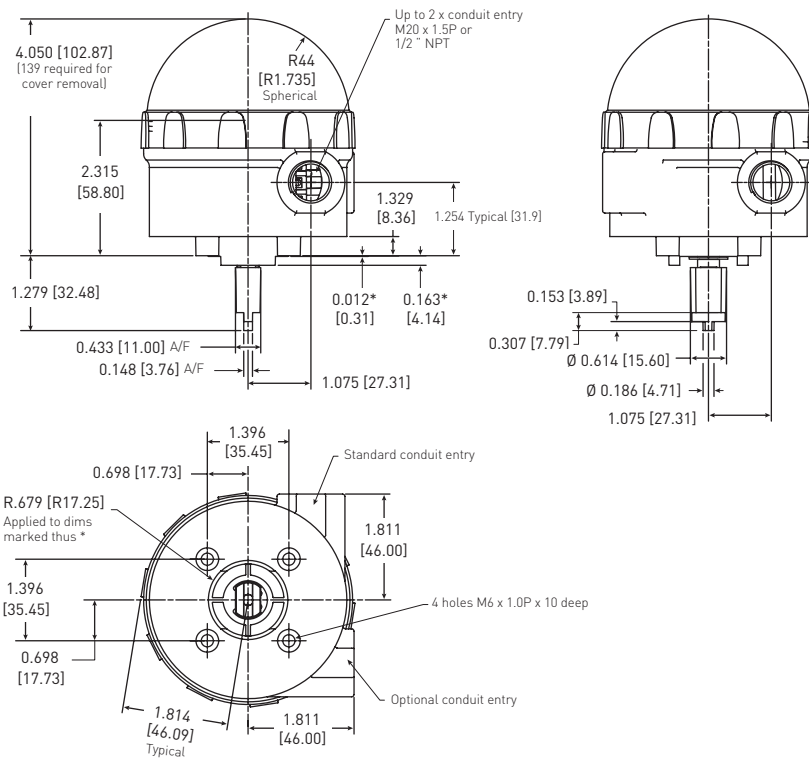


ACCUTRAK™ ROTARY POSITION MONITORS

WEATHERPROOF – GENERAL PURPOSE

1100 SERIES DIMENSIONS



Dimensions in inches, where available metric dimension (mm) in parentheses

TECHNICAL SPECIFICATIONS

Materials of construction

Enclosure	ABS Resin
Shaft	ABS Resin
Beacon indication	ABS Resin
Temperature rating	-4°F to 176°F [-20°C to 80°C]

Drive shaft

Westlock standard	Double-D with 1/4" A/F
NAMUR standard	NAMUR standard VDI/VDE 3845

Available switches

V3 mechanical switches, SPDT

NOTES

1. See switches data sheet for further information
3. Please consult your sales office for any other requirements



ACCUTRAK™ WEATHERPROOF ROTARY POSITION MONITORS

1100 SERIES SELECTION GUIDE

Housing												
11	1100 with screwed lid											
Cover style												
4	With Beacon											
Switch type												
5	Microswitch SPDT											
Material												
R	Engineered ABS											
Beacon type and color												
BY	Black/Yellow standard height											
Drive shaft type												
N	NAMUR standard shaft – VDI/VDE 3845											
Ancillary options												
000	Not applicable											
Switch quantity												
2	Two switches											
Conduit entries supplied												
2	Two entries											
Unit specification												
AAA	M20 Conduits – Std. material and build											
FAN	½" NPT conduit entries											
***	Non-standard material (consult sales office)											
Certification												
0	Non-hazardous											
Revision												
R*	Internal revision #											
11	4	5	R	BY	N	000	2	2	AAA	0	R1	= Model number 1145RBYN00022AAA-0R1

NOTES

1. Please contact your sales office for guidance on selecting the best possible combination for your control and monitoring requirements.
2. See Hazardous area classification technical bulletin for further information on global standards.