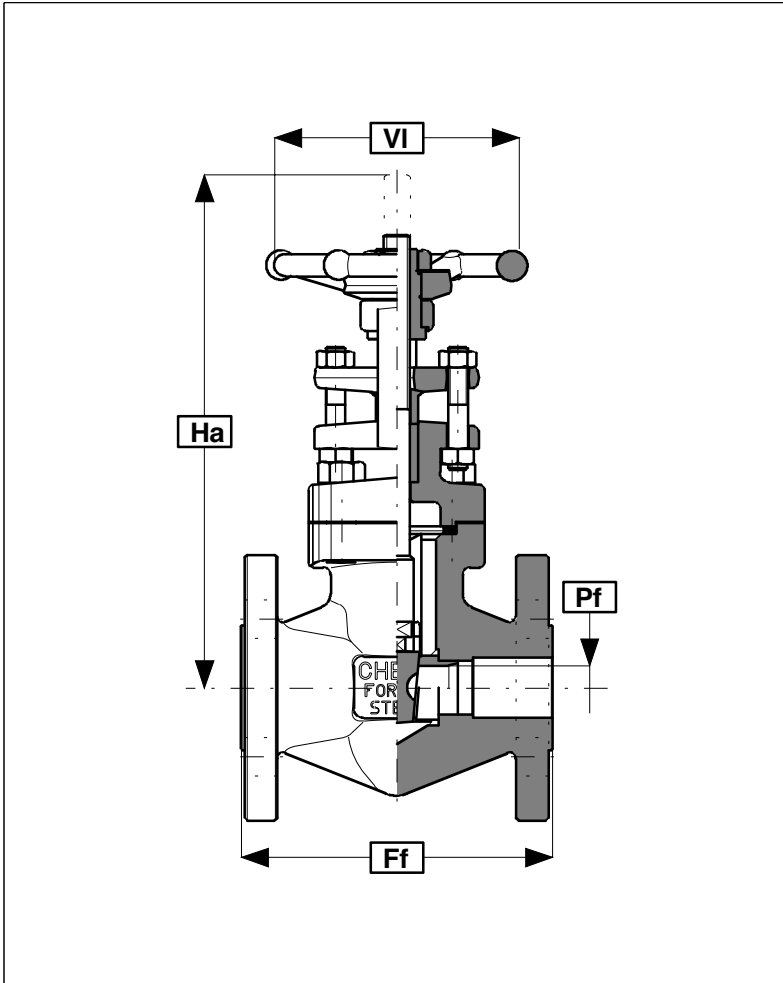


FORGED STEEL VALVES

DOUGLAS CHERO SpA
dc FORGED VALVES





Ratings (ASTM A105)
150 p.s.i. @ 550°F
285 p.s.i. @ 100°F

Test pressure (ASTM A105)
Hydraulic: (minimum)
Body - 450 p.s.i.
Seat - 325 p.s.i.
Air under water:
Seat - 85 p.s.i.

Standards
Construction API 602, BS 5352
Flanged ASME B16.5, ASME B16.10
Test API 598-BS 6755 (Pt.1)

Connections (xx)
RF Raised face (std.)
FF Flat finish

CONVENTIONAL BORE												
			1/2"		3/4"		1"		1.1/2"		2"	
Ff (mm/in)			107,9	4,25	117,5	4,63	127,0	5,00	165,1	6,50	177,8	7,00
Ha (mm/in)			179	7,05	186	7,32	208	8,19	255	10,04	273	10,75
VI (mm/in)			90	3,54	90	3,54	100	3,94	140	5,51	140	5,51
Pf (mm/in)			10	0,39	14	0,55	18	0,71	31	1,22	36,5	1,44
Wt. (kg/lb)			3,2	7,0	4,1	9,0	5,8	12,8	10	22,0	13,1	28,8
Catal. no.			R252/15xx		R253/15xx		R254/15xx		R256/15xx		R257/15xx	

FULL BORE												
			1/2"		3/4"		1"		1.1/2"		2"	
Ff (mm/in)			107,9	4,25	117,5	4,63	127,0	5,00	165,1	6,50	177,8	7,00
Ha (mm/in)			183	7,20	191	7,52	216	8,50	273	10,75	314	12,36
VI (mm/in)			90	3,54	90	3,54	100	3,94	140	5,51	200	7,87
Pf (mm/in)			14	0,55	18	0,71	24	0,94	36,5	1,44	48	1,89
Wt. (kg/lb)			3,1	6,8	4	8,8	5,7	12,5	12,6	27,7	15,8	34,8
Catal. no.			F212/15xx		F213/15xx		F214/15xx		F216/15xx		F217/15xx	

1) Standard and alternative valve materials on page 67, type A
 2) Complete Pressure-Temperature ratings on page 68, 69, 70, 71,72
 3) Flanges & face-to-face dimensions on page 74, 75