



Agency Approvals:

Without Falcon solenoid valve only: Class I, Groups B, C & D
Class II, Groups E, F & G

Type 4, 4X Enclosures (NEMA 4, 4X)

Product Overview

The 9881 combines the functionality of an explosionproof junction housing with position sensors to help provide cost effective monitoring of sanitary diaphragm valves. The Eliminator integrated coupling option is available for attachment of explosionproof solenoid valve.

9881 – Aluminum Enclosure with powder coat finish

AccuTrak™ Linear Sanitary Valve Monitor with Magnum (hermetically sealed proximity type sensors) and general purpose control valve option.

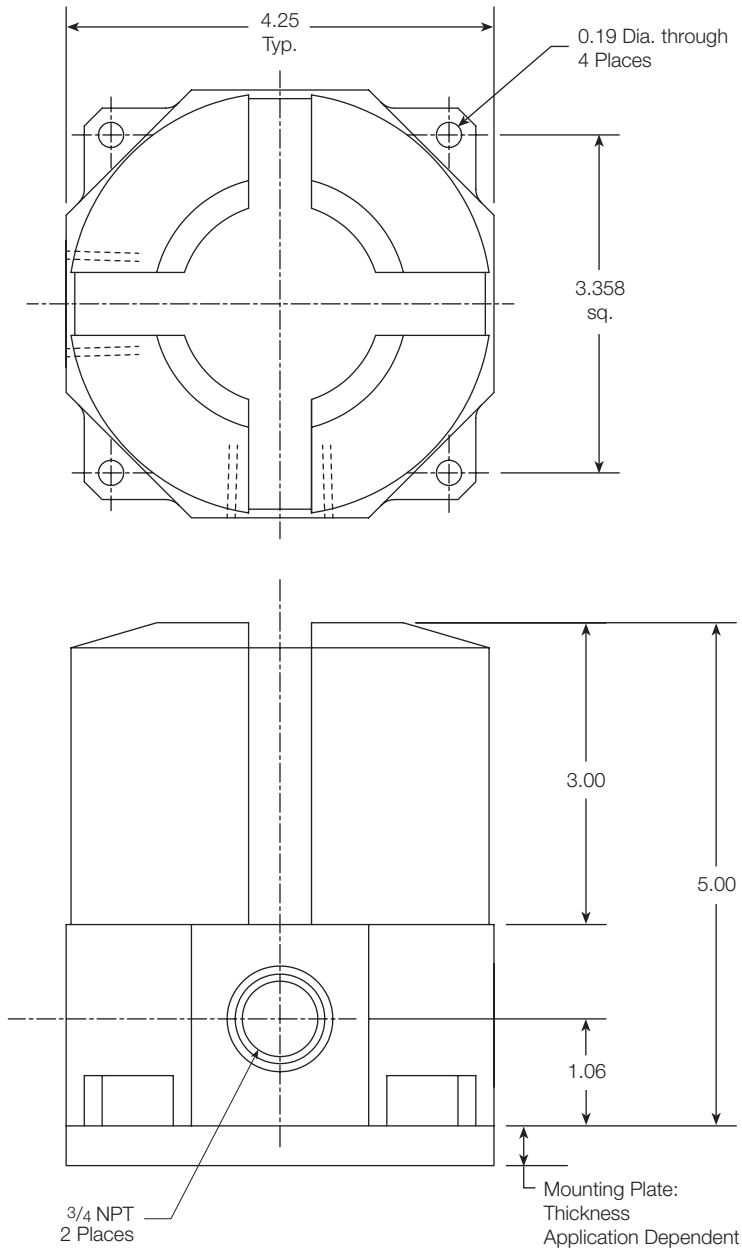
Features and Benefits

- Mounting kits available for all sanitary actuators.
- Mechanical visual position indicator available as an option.
- Terminal strips are pre-wired and numbered with generous working space for ease of use and extra wiring points for solenoid integration.
- Low copper content aluminum enclosures (0.2% maximum copper content) ensure robust performance in corrosive environments.
- Thumbscrew trigger adjustments allow quick and simple hand setting of position sensors.



Westlock is either a trademark or registered trademark of Tyco International Services AG or its affiliates in the United States and/or other countries. All other brand names, product names, or trademarks belong to their respective holders.

Dimensions



Technical Specifications

Materials of Construction

Enclosure: Aluminum with polyester powder coat
 Shaft and hardware: Stainless steel
 Beacon visual indicator: Co-polyester

Available Switches

- Magnum, SPDT hermetically sealed switches, with Tungsten contacts

For switch electrical ratings see reference section

Important Application Notes: For very low power sensing applications, Power \leq 240 mW (24 VDC @10 mA for example) Magnum sensors with Rhodium contacts, M12 (SPDT), MUST be used.

Magnum and Sensors Only PLC input modules utilize capacitors to filter out electrical noise. Newer, more sensitive designs have higher input impedances and lower operating currents and thus require higher values of capacitance for filtration.

If the DI card Capacitance \geq 0.01 μ F a resistor of appropriate size MUST be used in series with the switch contacts to prevent the capacitive discharge from damaging the switch contacts. As an alternative, specify the MagPAC. Please contact your sales representative for resistor sizing, capacitance measurement procedure and other required information.

Ordering Guide

Base Model

9881 Aluminum Enclosure

Shaft Output

0 None

Beacon

00 No Indicator
 MI Mechanical Indicator (not available on all applications)

Conduit

1B One 3/4" NPT (F), (Standard when ordered with Falcon solenoid valve below)
 2B Two 3/4" NPT (F), (Standard)
 2E One 3/4" NPT (F) and One 1/2" NPT (M) Eliminator Fitting*

Sanitary Valve Ordering Code

XXXX See "Sanitary Valve Ordering Code" below

Analog Position Transmitter

00 None

Coil Voltage (omit if control valve is not needed)**

0 None
 X 24 VDC
 Y 120 VAC

Falcon Valve Body

00 None
 22 0.5 C_v, 3-Way, Brass
 32 0.5 C_v, 3-Way, Aluminum
 42 0.5 C_v, 3-Way, 303 SS
 52 0.5 C_v, 3-Way, 316 SS

Special Valve Features

0 None

Override Option

0 None
 M Momentary
 L Locking

9881 0 MI 2B A002 00 X 32 0 L = Model Number **98810M12BA00200X320L**

* Eliminator Fitting is 1/2" NPT (M) for the purpose of mounting an after market solenoid valve.

Sanitary Valve Ordering Code (Contact your sales representative for details.)

Model Code	Valve Size	Model Code	Valve Size
ITT		ASEPCO	
I001	1/4" (Biotek)	A001	1/2"
I002	1/2"	A002	1"
I003	3/4"	A003	2"
I004	1"	A004	3"
I005	1 1/2"	GEMU	
I006	1 1/2" Style 33	G001	1/4" to 1/2" Style 605
I007	2"		3/8" to 3/4" Style 625
I008	2" Style 33	G002	1/2" to 1" Style 687
I009	3" and 4" Style 47	G003	1 1/2" Style 687
I010	3" and 4" Style 33	G004	2" Style 687
SAUNDERS			
S001	1/4"		
S002	1/2"		
S003	3/4"		
S004	1"		
S005	1.5"		
S006	2"		

Notes:

1. Mounting kits sold separately; please contact your local sales representative for mounting kit part numbers and pricing.
2. The use of the 9881 with a Falcon solenoid valve is currently not approved for Explosionproof hazardous areas. If a Falcon solenoid valve is selected, the 9881 must be used as a General Purpose device only.

USA/Canada: Saddle Brook, NJ
Ph: 201-794-7650
Dedicated Order Fax: 201-794-4790
General Fax: 201-794-0913
www.westlockcontrols.com

Europe/Asia: Kent, England
Ph: + 44 189 251 6277
Fax: + 44 189 251 6279
www.westlockuk.com

South America: Barueri, Sao Paulo
Ph: + 55 11 2588 1400
Fax: + 55 11 2588 1410
www.westlock.com.br

Tyco Flow Control (TFC) provides the information herein in good faith but makes no representation as to its comprehensiveness or accuracy. This data sheet is intended only as a guide to TFC products and services. Individuals using this data sheet must exercise their independent judgment in evaluating product selection and determining product appropriateness for their particular purpose and system requirements. TFC MAKES NO REPRESENTATIONS OR WARRANTIES, EITHER EXPRESS OR IMPLIED, INCLUDING WITHOUT LIMITATION ANY WARRANTIES OF MERCHANTABILITY OR FITNESS FOR A PARTICULAR PURPOSE WITH RESPECT TO THE INFORMATION SET FORTH HEREIN OR THE PRODUCT(S) TO WHICH THE INFORMATION REFERS. ACCORDINGLY, TFC WILL NOT BE RESPONSIBLE FOR DAMAGES (OF ANY KIND OR NATURE, INCLUDING INCIDENTAL, DIRECT, INDIRECT, OR CONSEQUENTIAL DAMAGES) RESULTING FROM THE USE OF OR RELIANCE UPON THIS INFORMATION. Patents and Patents Pending in the U.S. and foreign countries. Tyco reserves the right to change product designs and specifications without notice. All registered trademarks are the property of their respective owners. Printed in the USA.