

Voogt

**Forged Steel
Valves**



GATE VALVE INDEX

Press. Class	Material	Bonnet Joint	Gasket	End Connection	Bonnet Type	Wall Thick.	Ports	SERIES				Page					
								Threaded	Socket Weld	Butt Weld	Flanged						
150	A105	Bolted	Spiral Wound		OS&Y		Conv	See Class 800	See Class 800	See Class 300	353	12					
	A182 F316/F316 L			OS&Y		Conv				358	12						
	A350 LF2			OS&Y		Conv				32353	12						
300	A105	Bolted	Spiral Wound		OS&Y		Conv	See Class 800	See Class 800	BW363	363	13					
	A182 F316/F316 L			OS&Y		Full			BW13363	13363	13						
	A350 LF2			OS&Y		Conv			BW368	368	13						
				OS&Y		Full			BW13368	13368	13						
				OS&Y		Conv			BW32363	32363	13						
600	A105	Bolted	Spiral Wound		OS&Y		Conv	See Class 800	See Class 800	BW3363	33363	13					
	A182 F316/F316 L			OS&Y		Full			BW373	373	14						
	A350 LF2			OS&Y		Full			BW13373	13373	14						
				OS&Y		API 600	Full				11403	34					
				OS&Y		Conv				BW378	378	14					
				OS&Y		Full				BW13378	13378	14					
				OS&Y		Conv				BW32373	32373	14					
				OS&Y		Full				BW33373	33373	14					
				OS&Y		Conv						14					
800	A105	Bolted	Spiral Wound		OS&Y		Conv	12111	SW12111	BW12111		10					
				OS&Y		Full			13111	SW13111		10					
				OS&Y		API 600	Conv			12601	SW12601	BW12601	32				
				OS&Y		Full				13601	SW13601		32				
				OS&Y		Full				11103	SW11103		33				
				OS&Y		Conv				12161	SW12161		18				
				OS&Y		Extended Male Thread end	OS&Y		Conv	TT12111				22			
				OS&Y		Extended Male Socket Weld end	OS&Y			ST 12111	SS12111			22			
				OS&Y		Extended Male Couplet end	OS&Y			CT12111	CS12111			22			
				OS&Y		Weld	Bellows Seal	OS&Y		Conv	2801	SW2801			20		
				OS&Y				2801B	SW2801B			30					
				ISS				2811	SW2811			19					
				OS&Y		Extended Male Thread end	OS&Y		Conv	TT2801				22			
				OS&Y		Extended Male Socket Weld end	OS&Y	ISS		TT2811							
				OS&Y				ST2801	SS2801			22					
				OS&Y				CT2801	CS2801			22					
				OS&Y		Extended Male Couplet end	OS&Y		Conv	CT2901	CS2901			22			
				OS&Y		Reinforced Ext. Male Couplet end	OS&Y		Conv	CT2911	CS2911			22			
				OS&Y		Union	Spiral Wound	ISS		Conv	59851	SW59851			27		
				OS&Y				Conv				32111	SW32111		10		
				OS&Y				Full				33111	SW33111		10		
				OS&Y		Weld		OS&Y		Conv	32801	SW32801			20		
				OS&Y				Full				33801	SW33801		20		
				OS&Y				Conv				12401	SW12401	BW12401	10		
				OS&Y		Weld	Spiral Wound	OS&Y		Full	13401	SW13401			10		
				OS&Y				API 600	Conv			12602	SW12602	BW12602	32		
				OS&Y				Full				13602	SW13602		32		
				OS&Y		Extended Male Thread end	OS&Y	Conv		2831	SW2831				20		
				OS&Y				TT2831				20					
				OS&Y				ST2831	SS2831			20					
				OS&Y		Extended Male Socket Weld end	OS&Y		Conv	CT2831	CS2831			20			
				OS&Y		Extended Male Couplet end	OS&Y		Conv	CT2831	CS2831			20			
				OS&Y		Union	Spiral Wound	ISS		Conv	59951	SW59951			27		
	OS&Y		Conv						82401	SW82401		10					
	OS&Y		Conv						12421	SW12421		10					
	OS&Y						12921	SW12921		10							
	OS&Y						12321	SW12321		10							
	OS&Y						12521	SW12521		10							
1500	A105	Bolted	Spiral Wound		OS&Y		Conv	15111	SW15111	BW15111		17					
				OS&Y		Full			16111	SW16111		17					
				OS&Y		API 600	Conv			1033	SW1033		36				
				OS&Y		Ring Joint				1043	SW1043		36				
				OS&Y		Spiral Wound	Flanged	OS&Y		Conv				15373	15		
				OS&Y			OS&Y		API 600	Full				16373	15		
				OS&Y		Ring Joint	Flanged - Ring Joint	OS&Y						11603	35		
				OS&Y			OS&Y							11683	10		
				OS&Y		Weld		OS&Y		Conv	15801	SW15801			21		
				OS&Y				Extended Male Socket Weld end	OS&Y			ST15801	SS15801			21	
				OS&Y		A350 LF2	Bolted	Spiral Wound		Conv	35111	SW35111			35373	24	
				OS&Y					Weld				15401	SW15401			15378
				OS&Y		A182 F316/F316 L	Bolted	Spiral Wound		Conv	15831	SW15831			21		
				OS&Y					Weld				15321	SW15321			17
				OS&Y					Conv				15521	SW15521			17
	OS&Y		A182 F11, CL2	Bolted	Spiral Wound		Conv	65703	SW65703			21					
	OS&Y					Conv				65703	SW65703			21			
	OS&Y		A182 F22 CL 3				Full	66703	SW66703			26					
	OS&Y						Full	66743	SW66743			26					
	OS&Y						Full	66713	SW66713			26					
	OS&Y						Full	66773	SW66773			26					
	OS&Y						Full	66791	SW66791			26					
1500LTD	A105	Weld			OS&Y		Conv	65703	SW65703			21					
2500*	A105	Weld		Threaded	OS&Y		Full	66703	SW66703			26					
	A350 LF2				OS&Y		Full	66743	SW66743			26					
2680*	A182 F11, CL2				OS&Y		Full	66713	SW66713			26					
	A182 F22 CL 3				OS&Y		Full	66773	SW66773			26					
	A182 F91				OS&Y		Full	66791	SW66791			26					

Gate Valve

Gate valves are designed to operate in a fully open or fully closed position. When open, the media will flow with minimal turbulence and pressure drop through the valve.

Vogt gate valves are available with a variety of bonnet types, body and trim materials, and stem packings, in addition to a broad range of pressure classes and end connections including extended bodies.

The rugged construction of forged gate valves provide an extended life of safe operation. Metal-to-metal seating surfaces accommodate the widest range of pressure-temperature conditions.

Dimensions in the catalog selection pages are in inches and millimeters.

Dimensions are subject to change without notice.

See pages 10-36 for gate valve selections.

Drawings for currently available gate valve configurations are available at: http://Vogt Valves.vogtvalves.com/search_drawings.asp



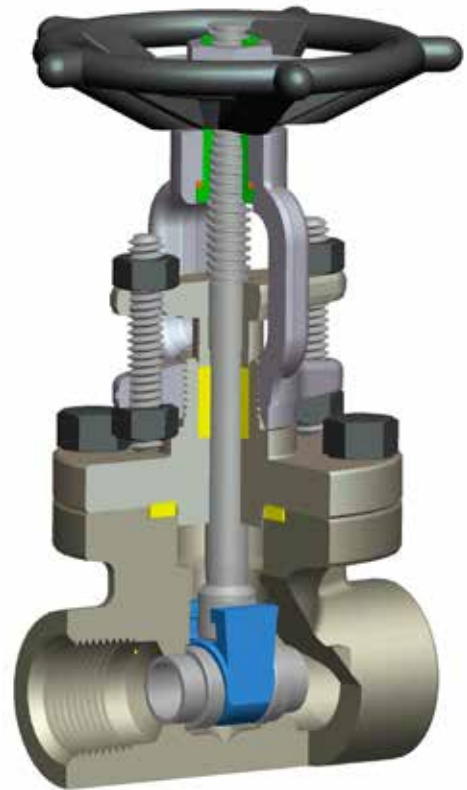
12111 Gate Valve

Class 800 Gate Valve

Conventional Port
Full Port



See pages 12 - 14



The Core of the Pressure Class 150, 300, 600 & 800 Gate Valve

CONNECTION	CONV PORT	FULL PORT	BODY/BONNET	TRIM	RATING	
Threaded Socket Weld (SW) Threaded/Socket Weld (TSW) Butt Weld (BW)*	12111	13111	A105	13 Cr	1975 PSI @ 100 F	136.2 BAR @ 38 C
	32111	33111	A350 LF2	13 Cr	1975 PSI @ -50 F	136.2 BAR @ -46 C
	12401	13401	F316/F316L	316	1920 PSI @ 100 F	132.4 BAR @ 38 C
	82401	83401	F316H	316H		
	12321	13321	F11,Cl.2(1-1/4 Cr.)	13 Cr	2000 PSI @ 100 F	137.9 BAR @ 38 C
	12521	13521	F22,Cl.3(2-1/4 Cr.)			
	12421	13421	F5(5 Cr.)			
	12921	13921	F9(9 Cr.)			

(UOP) Universal Oil Products Approved - For HF Alkylation Service

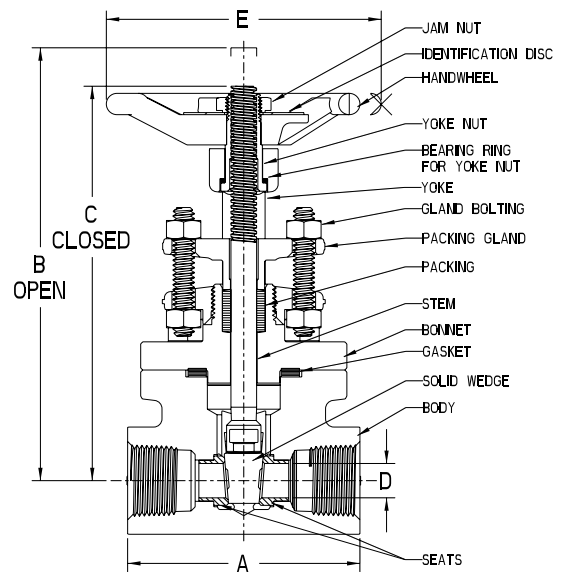
CONNECTION	CONV PORT	FULL PORT	BODY/BONNET	TRIM	RATING	
Threaded Socket Weld (SW)	12111HF6		A105	13 Cr	1975 PSI @ 100 F	136.2 BAR @ 38 C
		13111HF4	A105	Monel	1975 PSI @ 100 F	136.2 BAR @ 38 C
	12111HF7		A105	13 Cr	1975 PSI @ 100 F	136.2 BAR @ 38 C
		13111HF5	A105	Monel	1975 PSI @ 100 F	136.2 BAR @ 38 C

*See page 16 for Butt Weld Series Gate Valves

12111 Gate Valve

Class 800 Gate Valve

Round Bolted Bonnet
 Spiral Wound Gasket
 Outside Screw & Yoke
 Bolted Gland
 Solid Wedge
 Hard Faced Seats
 API 602
 ASME B16.34



Dimensions

SIZE			A	B	C	D	E	WEIGHT	Cv	
-04	NPS	½	3.38	6.30	5.74	.50	4.00	5.0	9.6	Conventional Port
	DN	15	86	160	146	12.7	102	2.3		
-05	NPS	¾	3.38	6.30	5.74	.50	4.00	4.8	9.7	
	DN	20	86	160	146	12.7	102	2.2		
-06	NPS	1	4.00	8.37	7.43	.75	4.75	8.4	20.3	
	DN	25	102	213	189	19.1	121	3.8		
-07	NPS	1¼	4.75	10.12	8.71	1.25	5.75	16.7	80.5	
	DN	32	121	257	221	31.8	146	7.6		
-08	NPS	1½	4.75	10.12	8.71	1.25	5.75	16.2	91.6	
	DN	40	121	257	221	31.8	146	7.3		
-09	NPS	2	5.25	11.12	9.40	1.50	7.00	21.8	117.6	
	DN	50	133	282	239	38.1	178	9.9		
-10	NPS	2½	7.00	14.09	11.76	2.00	8.00	39.8	174	
	DN	65	178	358	299	50.8	203	18.1		
-11	NPS	3	8.00	17.96	15.01	2.75	9.75	75.0	203.9	
	DN	80	203	456	381	69.9	248	34.0		

-04	NPS	½	3.38	6.30	5.75	.50	4.00	5.0	9.6	Full port
	DN	15	86	160	146	12.7	102	2.3		
-05	NPS	¾	4.0	8.37	7.43	.75	4.75	8.6	28.7	
	DN	20	102	213	189	19.1	121	3.9		
-06	NPS	1	4.38	9.80	8.59	1.0	5.75	12.2	46.5	
	DN	25	111	249	218	25.4	146	5.5		
-07	NPS	1¼	4.75	10.12	8.71	1.25	5.75	16.7	80.5	
	DN	32	121	257	221	31.8	146	7.6		
-08	NPS	1½	5.25	11.12	9.40	1.50	7.0	23.0	109.6	
	DN	40	133	282	239	38.1	178	10.4		
-09	NPS	2	7.00	14.09	11.76	2.00	8.0	41.8	181.0	
	DN	50	178	358	299	50.8	203	19.0		

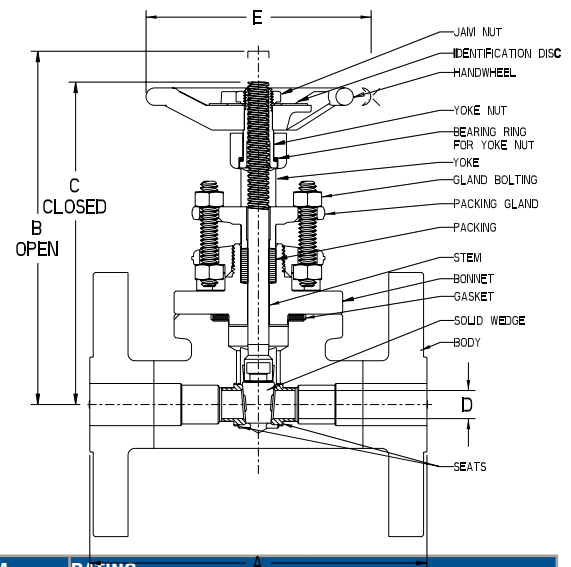
Refer to page 4 for optional trim and service configurations.
 Refer to pages 126 & 127 for full materials description.

Refer to page 111-113 for end connections.
 Refer to pages 114-115 for other ratings

Forged Gate Valves

Class 150 Gate Valve Conventional Port

Round Bolted Bonnet
 Spiral Wound Gasket
 Outside Screw & Yoke
 Bolted Gland
 Solid Wedge
 Hard Faced Seats
 API 602
 ASME B16.34



CONNECTION	SERIES	BODY/BONNET	TRIM	RATING		
1/16 RF Flat Face	FF	353	A105	13% Cr	285 PSI @ 100 F	19.6 BAR @ 38 C
		32353	A350 LF2	13% Cr	285 PSI @ 100 F	19.6 BAR @ 38 C
					285 PSI @ -50 F	19.6 BAR @ -46 C
		358	F316/F316L	316	275 PSI @ 100 F	19.0 BAR @ 38 C
		351	F11*,Cl.2	13% Cr	290 PSI @ 100 F	19.8 BAR @ 38 C
352	F22*,Cl.3	13% Cr	290 PSI @ 100 F	19.8 BAR @ 38 C		

*F11 & F22 not available in all sizes

Dimensions

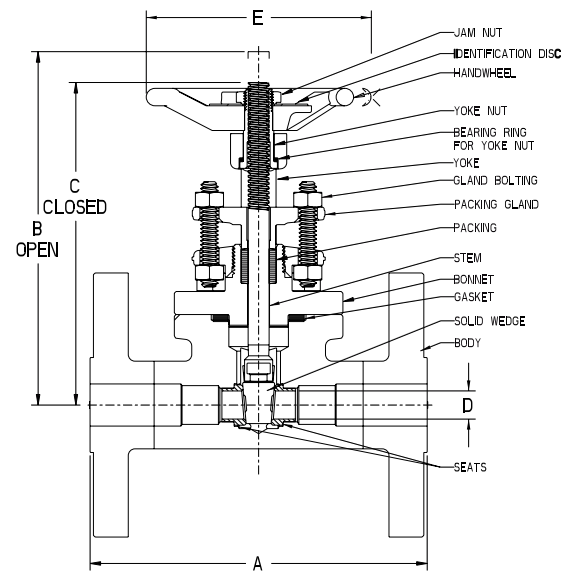
SIZE			A	B	C	D	E	WEIGHT	Cv	A105 ONLY
-04	NPS	½	4.25	6.30	5.74	.50	4.00	6.4	9.6	
	DN	15	108	160	146	12.7	102	2.9		
-05	NPS	¾	4.62	6.30	5.74	.50	4.00	8.0	9.7	
	DN	20	117	160	146	12.7	102	3.6		
-06	NPS	1	5.00	8.37	7.43	.75	4.75	12.3	20.3	
	DN	25	127	213	189	19.1	121	5.6		
-08	NPS	1½	6.50	10.12	8.71	1.25	5.75	23.0	91.6	
	DN	40	165	257	221	31.8	146	10.4		
-09	NPS	2	7.00	11.12	9.40	1.50	7.00	31.7	117.6	
	DN	50	178	282	239	38.1	178	14.4		
-10	NPS	2½	7.50	14.09	11.76	2.00	8.00	53.7	174	
	DN	65	191	358	299	50.8	203	24.4		
-11	NPS	3	8.00	14.09	11.76	2.00	8.00	57.6	203.9	
	DN	80	203	358	299	50.8	203	26.1		
-13	NPS	4	9.00	17.96	15.01	2.75	9.75	98.0	230.0	
	DN	100	229	456	381	69.9	248	44.5		

Forged Gate Valves

Class 300 Gate Valve

Conventional Port
Full Port

Round Bolted Bonnet
Spiral Wound Gasket
Outside Screw & Yoke
Bolted Gland
Solid Wedge
Hard Faced Seats
API 602
ASME B16.34



CONNECTION	CONV PORT	FULL PORT	BODY/BONNET	TRIM	RATING	
1/16 RF Flat Face FF	363	13363	A105	13% Cr	740 PSI @ 100 F	51.1 BAR @ 38 C
	32363	33363	A350 LF2	13% Cr	740 PSI @ 100 F	51.1 BAR @ 38 C
					740 PSI @ -50 F	51.1 BAR @ -46 C
	368	13368	F316/F316L	316	720 PSI @ 100 F	49.6 BAR @ 38 C
	361	13361	F11*,Cl.2	13% Cr	750 PSI @ 100 F	51.7 BAR @ 38 C
362	13362	F22*,Cl.3	13% Cr	750 PSI @ 100 F	51.7 BAR @ 38 C	

*F11 & F22 not available in all sizes

Dimensions

CONVENTIONAL PORT										
SIZE	A	B	C	D	E	WEIGHT	Cv			
-04	NPS ½	5.5	6.30	5.74	.50	4.00	8.0	9.6		
	DN 15	140	160	146	12.7	102	3.6			
-05	NPS ¾	6.00	6.30	5.74	.50	4.00	10.8	9.7		
	DN 20	152	160	146	12.7	102	4.9			
-06	NPS 1	6.50	8.37	7.43	.75	4.75	15.5	20.3		
	DN 25	165	213	189	19.1	121	7.0			
-08	NPS 1½	7.50	10.12	8.71	1.25	5.75	29.2	91.6		
	DN 40	191	257	221	31.8	146	13.2			
-09	NPS 2	8.50	11.12	9.40	1.50	7.00	37.6	117.6		
	DN 50	216	282	239	38.1	178	17.1			
-10	NPS 2½	9.50	14.09	11.76	2.00	8.00	61.6	174		
	DN 65	241	358	299	50.8	203	27.9			
-11	NPS 3	11.12	14.09	11.76	2.00	8.00	71.6	203.9		
	DN 80	282	358	299	50.8	203	32.5			
-13	NPS 4	12.00	17.96	15.01	2.75	9.75	121.9	230.0		
	DN 100	305	456	381	69.9	248	55.3			

FULL PORT										
SIZE	A	B	C	D	E	WEIGHT	Cv			
-04	NPS ½	5.50	6.30	5.74	.50	4.00	8.6	9.6		
	DN 15	140	160	146	12.7	102	3.9			
-05	NPS ¾	6.00	8.37	7.44	.75	4.75	13.9	28.7		
	DN 20	152	213	189	19.1	121	6.3			
-06	NPS 1	6.50	9.80	8.59	1.00	5.75	18.5	46.5		
	DN 25	165	249	218	25.4	146	8.4			
-08	NPS 1½	7.50	11.12	9.40	1.50	7.00	33.2	109.6		
	DN 40	191	282	239	38.1	178	15.1			
-09	NPS 2	8.50	14.09	11.76	2.00	8.00	53.1	181.0		
	DN 50	216	358	299	50.8	203	24.1			

A105 ONLY

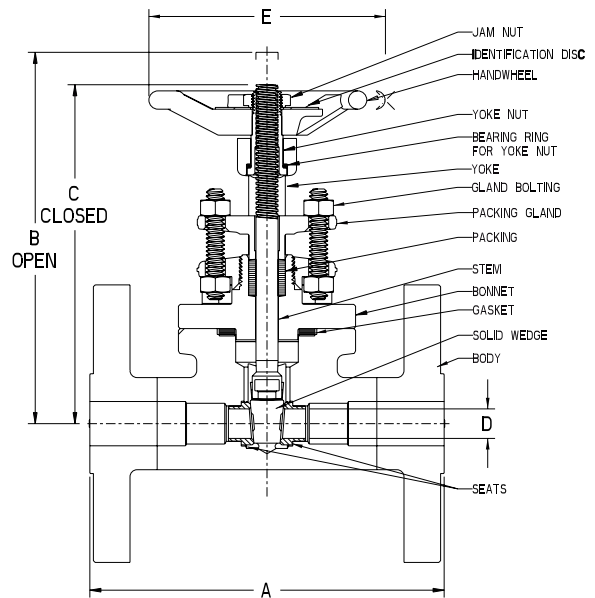
SEE PAGE 112 FOR BUTT WELD ENDS

Forged Gate Valves

Class 600 Gate Valve

Conventional Port
Full Port

Round Bolted Bonnet
Spiral Wound Gasket
Outside Screw & Yoke
Bolted Gland
Solid Wedge
Hard Faced Seats
API 602
ASME B16.34



CONNECTION	CONV PORT	FULL PORT	BODY/BONNET	TRIM	RATING	
1/4 RF Ring Joint RJ	373	13373	A105	13% Cr	1480 PSI @ 100 F	102.1 BAR @ 38 C
	32373	33373	A350 LF2	13% Cr	1480 PSI @ 100 F	102.1 BAR @ 38 C
					1480 PSI @ -50 F	102.1 BAR @ -46 C
	378	13378	F316/F316L	316	1440 PSI @ 100 F	99.3 BAR @ 38 C
	371	13371	F11*, Cl.2	13% Cr	1500 PSI @ 100 F	103.4 BAR @ 38 C
372	13372	F22*, Cl.3	13% Cr	1500 PSI @ 100 F	103.4 BAR @ 38 C	

*F11 & F22 not available in all sizes

Dimensions

CONVENTIONAL PORT								
SIZE	A	B	C	D	E	WEIGHT	Cv	
-04	NPS ½	6.50	6.30	5.74	.50	4.00	8.6	9.6
	DN 15	165	160	146	12.7	102	3.9	
-05	NPS ¾	7.50	6.30	5.74	.50	4.00	11.8	9.7
	DN 20	191	160	146	12.7	102	5.4	
-06	NPS 1	8.50	8.37	7.43	.75	4.75	17.6	20.3
	DN 25	216	213	189	19.1	121	8.0	
-08	NPS 1½	9.50	10.12	8.71	1.25	5.75	32.0	91.6
	DN 40	241	257	221	31.8	146	14.5	
-09	NPS 2	11.50	11.12	9.40	1.50	7.00	43.2	117.6
	DN 50	292	282	239	38.1	178	19.6	
-10	NPS 2½	13.00	14.09	11.76	2.00	8.00	70.5	174
	DN 65	330	358	299	50.8	203	32.0	
-11	NPS 3	14.00	14.09	11.76	2.00	8.00	80.7	203.9
	DN 80	356	358	299	50.8	203	36.6	
-13	NPS 4	17.00	17.96	15.01	2.75	9.75	152.1	230.0
	DN 100	432	456	381	69.9	248	69.0	

A105 ONLY

FULL PORT								
SIZE	A	B	C	D	E	WEIGHT	Cv	
-04	NPS ½	6.50	6.30	5.74	.50	4.00	8.6	9.6
	DN 15	165	160	146	12.7	102	3.9	
-05	NPS ¾	7.50	8.37	7.44	.75	4.75	14.7	28.7
	DN 20	191	213	189	19.1	121	6.7	
-06	NPS 1	8.50	9.80	8.59	1.00	5.75	20.4	46.5
	DN 25	216	249	218	25.4	146	9.3	
-08	NPS 1½	9.50	11.12	9.40	1.50	7.00	37.0	109.6
	DN 40	241	282	239	38.1	178	16.8	
-09	NPS 2	11.50	14.09	11.76	2.00	8.00	58.8	181.0
	DN 50	292	358	299	50.8	203	26.7	

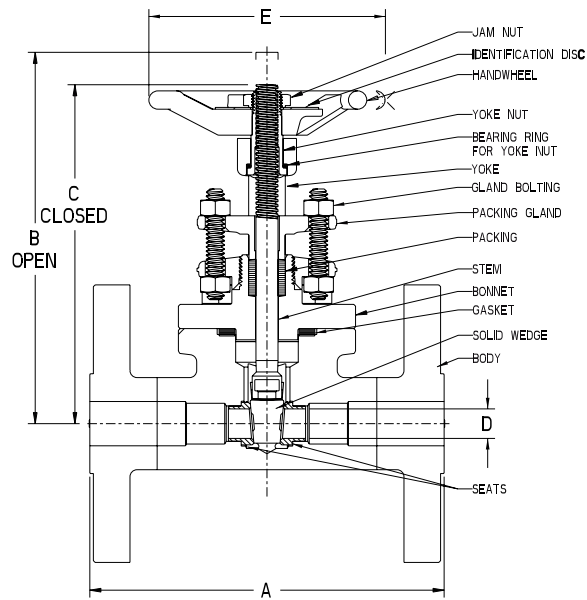
SEE PAGE 112 FOR BUTT WELD ENDS

Forged Gate Valves

Class 1500 Flanged Gate Valve

- Conventional Port
- Full Port

- Round Bolted Bonnet
- Spiral Wound Gasket
- Outside Screw & Yoke
- Bolted Gland
- Solid Wedge
- Hard Faced Seats
- API 602
- ASME B16.34



CONNECTION	CONV PORT	FULL PORT	BODY/BONNET	TRIM	RATING	
1/4 RF Ring Joint RJ	15373	16373	A105	13% Cr	3705 PSI @ 100 F	255.3 BAR @ 38 C
	35373	36373	A350 LF2	13% Cr	3705 PSI @ 100 F	255.3 BAR @ 38 C
					3705 PSI @ -50 F	255.3 BAR @ -46 C
15378	16378	F316/F316L	316	3600 PSI @ 100 F	248.2 BAR @ 38 C	

Dimensions

CONVENTIONAL PORT									
SIZE			A	B	C	D	E	WEIGHT	Cv
-04	NPS	½	8.50	7.51	6.90	.50	4.75	17.5	9.6
	DN	15	216	191	175	12.7	121	7.9	
-05	NPS	¾	9.00	7.51	6.90	.50	4.75	20.9	9.7
	DN	20	229	191	175	12.7	121	9.5	
-06	NPS	1	10.00	9.69	8.77	.75	7.00	34.7	20.3
	DN	25	254	246	223	19.1	178	15.7	
-08	NPS	1½	12.00	11.40	9.98	1.25	8.00	55.8	91.6
	DN	40	305	290	253	31.8	203	25.3	
-09	NPS	2	14.50	13.84	12.15	1.50	9.75	94.9	117.6
	DN	50	368	352	309	38.1	248	43.0	

FULL PORT									
SIZE			A	B	C	D	E	WEIGHT	Cv
-04	NPS	½	8.50	7.51	6.90	.50	4.75	17.5	9.6
	DN	15	216	191	175	12.7	121	7.9	
-05	NPS	¾	9.00	9.69	8.78	.75	7.00	29.3	28.7
	DN	20	229	246	223	19.1	178	13.3	
-06	NPS	1	10.00	11.31	9.96	1.00	8.00	46.2	46.5
	DN	25	254	287	253	25.4	203	21.0	
-08	NPS	1½	12.00	13.84	12.15	1.50	9.75	75.0	109.6
	DN	40	305	352	309	38.1	248	34.0	
-09	NPS	2	14.50	17.15	14.82	2.00	9.75	129.4	181.0
	DN	50	368	436	376	50.8	248	58.7	

Refer to page 4 for optional trim and service configurations.
Refer to pages 126 & 127 for full materials description.

Refer to page 111-113 for end connections.
Refer to pages 114-115 for other ratings

Forged Gate Valves-Butt Weld Ends

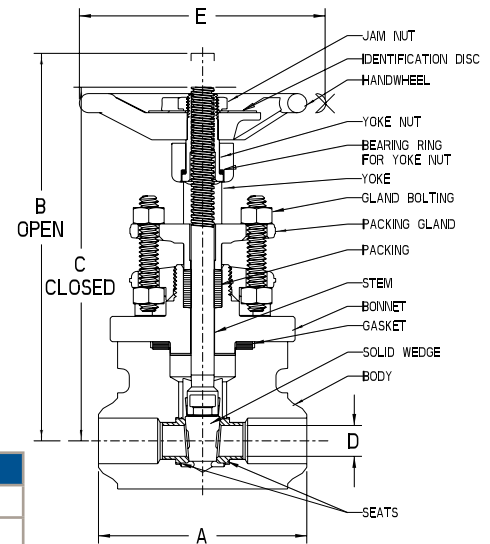
Butt Weld Class 150, 300, 600, 800 Conventional Port Gate Valve

Round Bolted Bonnet
Spiral Wound Gasket
Outside Screw & Yoke
Bolted Gland
Solid Wedge
Hard Faced Seats
API 602
ASME B16.34

BUTT-WELDING ENDS PER ASME B16.25 – Refer to page 112

BW end-to-end dimensions for Class 800 valves are Vogt standard. ASME B16.10 has no requirements for Class 800 valves.

S40 Suffix for Schedule 40
S80 Suffix for Schedule 80
S160 Suffix for Schedule 160
Example: BW12111S40



CLASS	SERIES	BODY/BONNET	TRIM	RATING	
150	BW353	A105	13 Cr	285 PSI @ 100 F	19.6 BAR @ 38 C
300	BW363	A105	13 Cr	740 PSI @ 100 F	51.1 BAR @ 38 C
600	BW373	A105	13 Cr	1480 PSI @ 100 F	102.1 BAR @ 38 C
800	BW12111	A105	13 Cr	1975 PSI @ 100 F	136.2 BAR @ 38 C
	BW32111	A350 LF2	13 Cr	1975 PSI @ 100 F	136.2 BAR @ 38 C
				1975 PSI @ -50 F	136.2 BAR @ -46 C
	BW12401	F316/F316L	316	1920 PSI @ 100 F	132.4 BAR @ 38 C
	BW82401	F316H	316H	1920 PSI @ 100 F	132.4 BAR @ 38 C
	BW12321	F11,Cl.2(1-1/4 Cr.)	13 Cr	2000 PSI @ 100 F	137.9 BAR @ 38 C
	BW12521	F22,Cl.3(2-1/4 Cr.)	13 Cr	2000 PSI @ 100 F	137.9 BAR @ 38 C
	BW12421	F5(5 Cr.)	13 Cr	2000 PSI @ 100 F	137.9 BAR @ 38 C
BW12921	F9(9 Cr.)	13 Cr	2000 PSI @ 100 F	137.9 BAR @ 38 C	

Dimensions

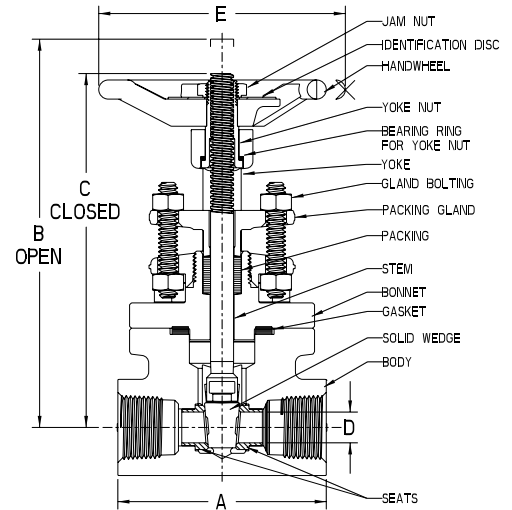
SIZE		SCH			A 150	A 300	A 600	A 800	B	C	D	E	WEIGHT	Cv		
		40	80	160										SCH 40	SCH 80	SCH 160
-04	NPS ½	X	X				3.38	6.30	5.74	.41	4.00	5.0	9.6	9.2		
	DN 15	X	X				85.9	160	146	10.4	102	2.3				
-05	NPS ¾	X	X	X			3.38	6.30	5.74	.50	4.00	4.8	9.7	9.6	8.8	
	DN 20	X	X	X			85.9	160	146	12.7	102	2.2				
-06	NPS 1	X	X	X			8.50	4.00	8.37	7.43	.75	4.75	8.4	20.3	20.1	18.2
	DN 25	X	X	X			215.9	101.6	213	189	19.1	121	3.8			
-07	NPS 1¼	X					4.75	10.12	8.71	1.25	5.75	16.7	80.5			
	DN 32	X					120.7	257	221	31.8	146	7.6				
-08	NPS 1½	X	X		7.50	9.50	4.75	10.12	8.71	1.25	5.75	16.2	91.6	89.4		
	DN 40	X	X		190.5	241.3	120.7	257	221	31.8	146	7.3				
-09	NPS 2	X	X	X	8.50	8.50	11.50	5.25	11.12	9.40	1.50	7.00	21.8	117.6	116.1	102.3
	DN 50	X	X	X	215.9	215.9	292.1	133.4	282	239	38.1	178	9.9			
-10	NPS 2½	X	X		9.50	9.50	13.00	7.00	14.09	11.76	2.00	8.00	40.2	174	171.9	
	DN 65	X	X		241.3	241.3	330.2	177.8	358	299	50.8	203	18.2			
-11	NPS 3	X	X	X	11.12	11.12	14.00		14.09	11.76	2.00	8.00	48.9	203.9	202.6	193.7
	DN 80	X	X	X	282.4	282.4	355.6		358	299	50.8	203	22.2			
-11	NPS 3	X	X				8.00	17.96	15.01	2.75	9.75	74.7	203.9	202.6		
	DN 80	X	X				203.2	456	381	69.9	248	33.9				
-13	NPS 4	X	X	X	12.00	12.00	17.00	8.00	17.96	15.01	2.75	9.75	72.2	230	229	
	DN 100	X	X	X	304.8	304.8	431.8	203.2	456	381	69.9	248	32.7			

A105 ONLY

Forged Gate Valves

Class 1500 Gate Valve

Conventional Port
 Full Port
 Round Bolted Bonnet
 Spiral Wound Gasket
 Outside Screw & Yoke
 Bolted Gland
 Solid Wedge
 Hard Faced Seats
 API 602
 ASME B16.34



CONNECTION	CONV PORT	FULL PORT	BODY/BONNET	TRIM	RATING	
	15111	16111	A105	13% Cr	3705 PSI @ 100 F	255.3 BAR @ 38 C
	35111	36111	A350 LF2	13% Cr	3705 PSI @ 100 F	255.3 BAR @ 38 C
Threaded	15401	16401	F316/F316L	316	3600 PSI @ 100 F	284.2 BAR @ 38 C
	85401	86401	F316H	316H		
Socket Weld SW	15321	16321	F11,Cl.2	*13% Cr	3750 PSI @ 100 F	258.6 BAR @ 38 C
	15521	16521	F22,Cl.3			
Threaded x Socket Weld TSW	15421	16421	F5	*13% Cr	3750 PSI @ 100 F	258.6 BAR @ 38 C
	15921	16921	F9			
Butt Weld** BW						

*Hardfaced Wedge/Seats ** BW end-to-end is Vogt standard and does not meet B16.10

Dimensions

SIZE				A	B	C	D	E	WEIGHT	Cv				
	SCH 40	SCH 80	SCH 160							SCH 40	SCH 80	SCH 160		
CONVENTIONAL PORT	-04	NPS ½	X	X	4.00	7.51	6.90	.50	4.75	8.9	9.6	9.2		
		DN 15	X	X	101.6	191	175	12.7	121	4.0				
	-05	NPS ¾	X	X	X	4.00	7.51	6.90	.50	4.75	9.7	9.7	9.6	8.8
		DN 20	X	X	X	101.6	191	175	12.7	121	4.4			
	-06	NPS 1	X	X	X	4.75	9.69	8.77	.75	7.00	17.5	20.3	20.1	18.2
		DN 25	X	X	X	120.7	246	223	19.1	178	7.9			
-07	NPS 1¼	X			5.25	11.40	9.98	1.25	8.00	27.3	80.5			
	DN 32	X			133.4	290	253	31.8	203	12.4				
-08	NPS 1½	X	X	X	5.25	11.40	9.98	1.25	8.00	26.8	91.6	89.4	76.8	
	DN 40	X	X	X	133.4	290	253	31.8	203	12.1				
-09	NPS 2	X	X	X	7.00	13.84	12.15	1.50	9.75	45.1	117.6	116.1	102.3	
	DN 50	X	X	X	177.8	352	309	38.1	248	20.5				
FULL PORT	-04	NPS ½	X	X	4.00	7.51	6.90	.50	4.75	17.5	9.6	9.2		
		DN 15	X	X	101.6	191	175	12.7	121	7.9				
	-05	NPS ¾	X			4.75	9.69	8.77	.75	7.00	17.9	28.7		
		DN 20	X			120.7	246	223	19.1	178	8.1			
	-06	NPS 1				5.25	11.31	9.96	1.00	8.00	28.3	46.5		
		DN 25				133.4	287	253	25.4	203	12.8			
	-07	NPS 1¼	X			5.25	11.40	9.98	1.25	8.00	27.3	80.5		
		DxAzN 32	X			133.4	290	253	31.8	203	12.4			
	-08	NPS 1½				7.00	13.84	12.15	1.50	9.75	47.1	109.6		
		DN 40				177.8	352	309	38.1	248	21.4			
	-09	NPS 5				8.00	17.5	14.82	2.00	9.75	81.8	181.0		
		DN 50				203.2	436	377	50.8	248	37.12			

S40 Suffix for Schedule 40
 S80 Suffix for Schedule 80
 S160 Suffix for Schedule 160
 Example: BW15111S80

Refer to page 4 for optional trim and service configurations.

Refer to pages 126 & 127 for full materials description.

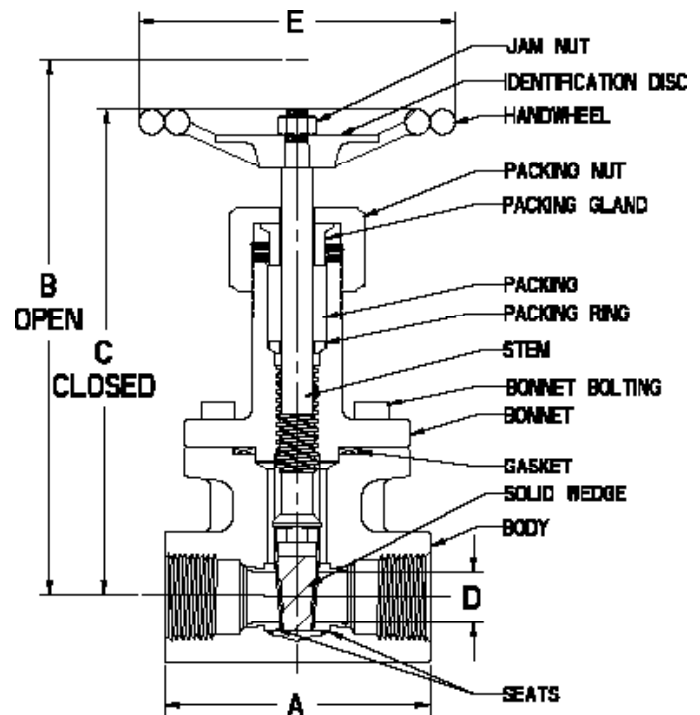
Refer to page 111-113 for end connections.

Refer to pages 114-115 for other ratings

Forged Gate Valves

Class 800 Conventional Port Gate Valve

Round Bolted Bonnet
 Spiral Wound Gasket
 Inside Screw Stem
 Screw Gland
 Solid Wedge
 Hard Faced Seats
 API 602
 ASME B16.34



CONNECTION	SERIES	BODY/BONNET	TRIM	RATING		
Threaded	SW	12161	A105	13% Cr	1975 PSI @ 100 F	136.2 BAR @ 38 C
Socket Weld						
Threaded/ Socket Weld						

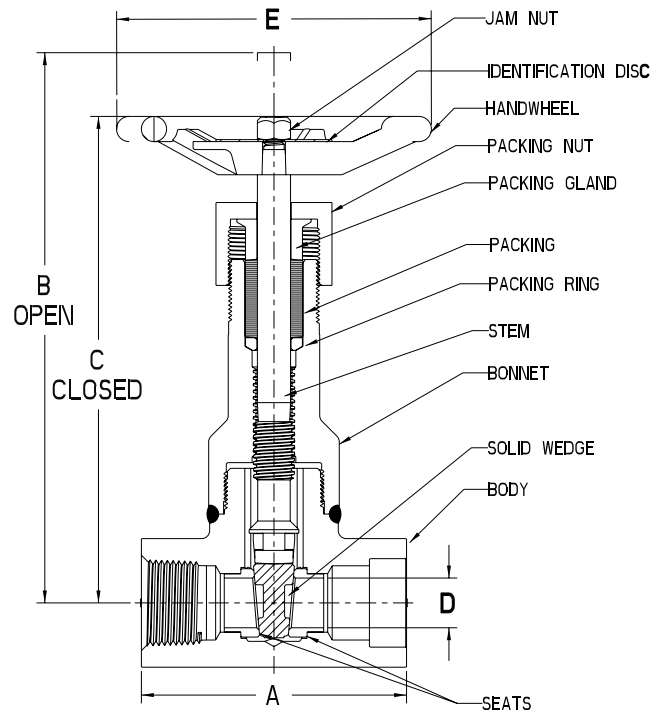
Dimensions

SIZE			A	B	C	D	E	WEIGHT	Cv
-04	NPS	½	3.38	6.44	5.88	.50	4.00	4.8	9.6
	DN	15	86	164	149	12.7	102	2.2	
-05	NPS	¾	3.38	6.44	5.88	.50	4.00	4.7	9.7
	DN	20	86	164	149	12.7	102	2.1	
-06	NPS	1	4.00	8.31	7.38	.75	4.75	7.9	20.3
	DN	25	102	211	187	19.1	121	3.6	
-07	NPS	1¼	4.75	10.75	9.38	1.25	5.75	16.4	80.5
	DN	32	121	273	238	31.8	146	7.4	
-08	NPS	1½	4.75	10.75	9.38	1.25	5.75	16.1	91.6
	DN	40	121	273	238	31.8	146	7.3	
-09	NPS	2	5.25	12.25	10.56	1.50	7.00	23.6	117.6
	DN	50	133	311	268	38.1	178	10.7	

Forged Gate Valves

Class 800 Conventional Port Gate Valve

Welded Bonnet
 Inside Screw Stem
 Screw Gland
 Solid Wedge
 Hard Faced Seats
 API 602
 ASME B16.34



CONNECTION		SERIES	BODY/BONNET	TRIM	RATING	
Threaded	SW TSW	2811	A105	13% Cr	1975 PSI @ 100 F	136.2 BAR @ 38 C
Socket Weld						
Threaded/ Socket Weld						

Dimensions

SIZE			A	B	C	D	E	WEIGHT	Cv
-04	NPS	½	3.38	6.62	6.00	.50	4.00	3.2	9.6
	DN	15	86	168	152	12.7	102	1.5	
-05	NPS	¾	3.38	6.62	6.00	.50	4.00	3.1	9.7
	DN	20	86	168	152	12.7	102	1.4	
-06	NPS	1	4.00	8.38	7.44	.75	4.75	6.1	20.3
	DN	25	102	213	189	19.1	121	2.8	
-07	NPS	1¼	4.75	10.81	9.38	1.25	5.75	11.6	80.5
	DN	32	121	275	238	31.8	146	5.3	
-08	NPS	1½	4.75	10.81	9.38	1.25	5.75	11.0	91.6
	DN	40	121	275	238	31.8	146	5.0	
-09	NPS	2	5.25	12.12	10.56	1.50	7.00	18.5	117.6
	DN	50	133	308	268	38.1	178	8.4	

Forged Gate Valves

Class 800 Gate Valve

Conventional Port

Full Port

Welded Bonnet

Outside Screw & Yoke

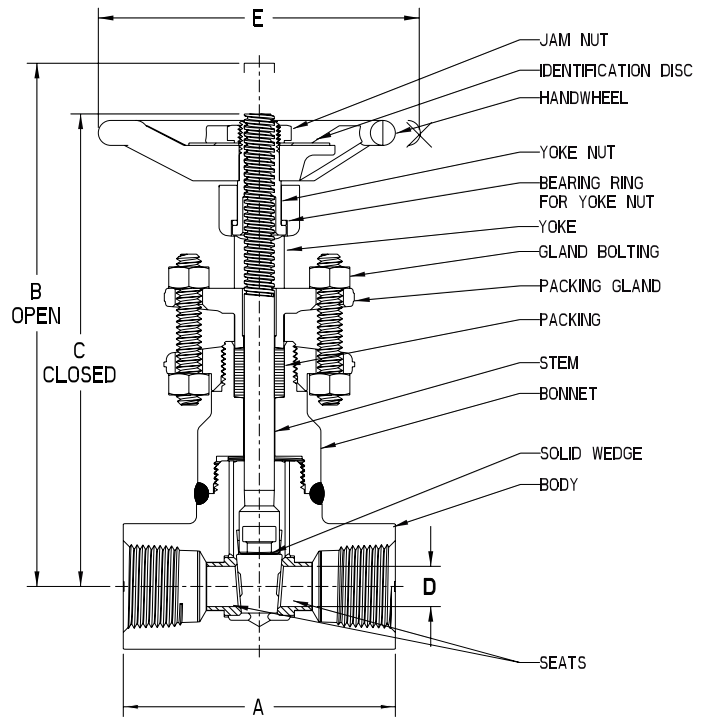
Bolted Gland

Solid Wedge

Hard Faced Seats

API 602

ASME B16.34



CONNECTION	CONV PORT	FULL PORT	BODY/BONNET	TRIM	RATING	
Threaded Socket Weld Threaded/Socket Weld	SW	2801	3801	A105	13% Cr	1975 PSI @ 100 F 136.2 BAR @ 38 C
		32801	33801	A350 LF2	13% Cr	1975 PSI @ 100 F 136.2 BAR @ 38 C 1975 PSI @ -50 F 136.2 BAR @ -46 C
	TSW	2831	3831	F316/F316L	316	1920 PSI @ 100 F 132.4 BAR @ 38 C
		82831		F316H	316H	1920 PSI @ 100 F 132.4 BAR @ 38 C
		2851		F11,Cl.2	13% Cr	2000 PSI @ 100 F 137.9 BAR @ 38 C
		2861		F22,Cl.3		

Dimensions

		SIZE	A	B	C	D	E	WEIGHT	Cv
CONVENTIONAL PORT	-04	NPS 1/2	3.38	6.50	5.87	.50	4.00	3.6	9.6
		DN 15	86	165	149	12.7	102	1.6	
	-05	NPS 3/4	3.38	6.50	5.87	.50	4.00	3.4	9.7
		DN 20	86	165	149	12.7	102	1.5	
	-06	NPS 1	4.00	8.38	7.43	.75	4.75	6.6	20.3
		DN 25	102	213	189	19.1	121	3.0	
	-07	NPS 1 1/4	4.75	10.14	8.71	1.25	5.75	11.5	80.5
		DN 32	121	258	221	31.8	146	5.2	
	-08	NPS 1 1/2	4.75	10.14	8.71	1.25	5.75	11.1	91.6
		DN 40	121	258	221	31.8	146	5.0	
-09	NPS 2	5.25	11.12	9.40	1.50	7.00	16.1	117.6	
	DN 50	133	282	239	38.1	178	7.3		

		SIZE	A	B	C	D	E	WEIGHT	Cv
FULL PORT	-04	NPS 1/2	3.38	6.50	5.87	.50	4.00	3.6	9.6
		DN 15	86	165	149	12.7	102	1.6	
	-05	NPS 3/4	4.0	8.38	7.43	.75	4.75	6.8	28.7
		DN 20	102	213	189	19.1	121	3.1	
	-06	NPS 1	4.75	10.13	8.59	1.00	5.75	12.4	46.5
		DN 25	121	257	218	25.4	146	5.6	
	-07	NPS 1 1/4	4.75	10.14	8.71	1.25	5.75	11.5	80.5
		DN 32	121	258	221	31.8	146	5.2	
	-08	NPS 1 1/2	5.25	11.09	9.40	1.50	7.00	17.4	109.6
		DN 40	133	282	239	38.1	178	7.9	
-09	NPS 2	7.00	14.09	11.76	2.00	9.75	32.4	181.0	
	DN 50	178	358	299	50.8	248	14.7		

Forged Gate Valves

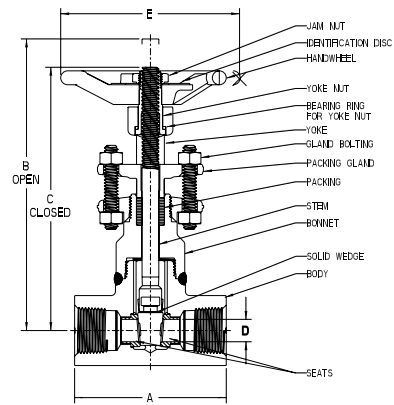
Class 1500 Gate Valve

- 1 Conventional Port
- 2 Full Port

Class 1500 LTD

- 1 Conventional Port

Welded Bonnet
 Outside Screw & Yoke
 Bolted Gland
 Solid Wedge
 Hard Faced Seats
 API 602
 ASME B16.34



CLASS	CONNECTION	CONV PORT	FULL PORT	BODY/BONNET	TRIM	RATING			
Standard	Threaded Socket Weld Threaded/Socket Weld Butt Weld**	SW TSW BW	15801	16801	A105	13% Cr	3705 PSI @ 100 F	255.3 BAR @ 38 C	
			35801	36801	A350 LF2	13% Cr	3705 PSI @ 100 F	255.3 BAR @ 38 C	
							3705 PSI @ -50 F	255.3 BAR @ -46 C	
			15831	16831	F316/F316L	316	*13% Cr	3600 PSI @ 100 F	248.2 BAR @ 38 C
			85831	86831	F316H	316H		3750 PSI @ 100 F	258.6 BAR @ 38 C
			15851	16851	F11, Cl.2			3750 PSI @ 100 F	258.6 BAR @ 38 C
					15861	16861	F22, Cl.3		
LTD	Threaded Socket Weld Threaded/Socket Weld	SW TSW	65703		A105	*13% Cr	3750 PSI @ 100 F	258.6 BAR @ 38 C	
			65713		F11, Cl.2				
			65773		F22, Cl.3				

*Hardfaced Wedge/Seats **BW end-to-end is Vogt standard and does not meet B16.10

Dimensions

		SIZE	A	B	C	D	E	WEIGHT	Cv
CONVENTIONAL PORT	-04	NPS ½	4.00	7.54	6.90	.50	4.75	6.7	9.6
		DN 15	102	192	175	12.7	121	3.0	
	-05	NPS ¾	4.00	7.54	6.90	.50	4.75	6.5	9.7
		DN 20	102	192	175	12.7	121	2.9	
	-06	NPS 1	4.75	9.69	8.77	.75	7.00	13.2	20.3
		DN 25	121	246	223	19.1	178	6.0	
-07	NPS 1¼	5.25	11.40	9.98	1.25	8.00	20.5	80.5	
	DN 32	133	290	253	31.8	203	9.3		
-08	NPS 1½	5.25	11.40	9.98	1.25	8.00	20.0	91.6	
	DN 40	133	290	253	31.8	203	9.1		
-09	NPS 2	7.00	13.84	12.15	1.50	9.75	34.8	117.6	
	DN 50	178	352	309	38.1	248	15.8		

S40 Suffix for Schedule 40
 S80 Suffix for Schedule 80
 S160 Suffix for Schedule 160
 Example: BW2801S40
 See page 25 for allowable schedules.

Refer to page 4 for optional trim and service configurations.

Refer to pages 126 & 127 for full materials description.

Refer to page 111-113 for end connections.

Refer to pages 114-115 for other ratings

		SIZE	A	B	C	D	E	WEIGHT	Cv
FULL PORT	-04	NPS ½	4.00	7.54	6.90	.50	4.75	6.7	9.6
		DN 15	102	192	175	12.7	121	3.0	
	-05	NPS ¾	4.75	9.69	8.77	.75	7.00	13.5	28.7
		DN 20	121	246	223	19.1	178	6.1	
	-06	NPS 1	5.25	11.21	9.86	1.00	8.00	21.6	46.5
		DN 25	133	285	250	25.4	203	9.8	
-07	NPS 1¼	5.25	11.40	9.98	1.25	8.00	20.5	80.5	
	DN 32	133	290	253	31.8	203	9.3		
-08	NPS 1½	7.00	13.84	12.15	1.50	9.75	35.1	109.6	
	DN 40	178	352	309	38.1	248	15.9		

Forged Gate Valves – Extended Body Valves

Class 800 Conventional Port Gate Valve

	SERIES	BODY/BONNET	TRIM	RATING	
1	2801*	A105	13%Cr	1975 PSI @ 100 F	136.2 BAR @ 38 C
	2831	F316/F316L	316	1920 PSI @ 100 F	132.4 BAR @ 38 C
2	2901	A105	13%Cr	1975 PSI @ 100 F	136.2 BAR @ 38 C
	2931	F316/F316L	316	1920 PSI @ 100 F	132.4 BAR @ 38 C
	2951	F11, Cl.2(1-1/4 Cr.)	13%Cr	2000 PSI @ 100 F	137.9 BAR @ 38 C
	2961	F22, Cl.3(2-1/4 Cr.)			
3	12111	A105	13%Cr	1975 PSI @ 100 F	136.2 BAR @ 38 C
	32111	A350 LF2		1975 PSI @ -50 F	136.2 BAR @ -46 C
	12401	F316/F316L	316	1920 PSI @ 100 F	132.4 BAR @ 38 C
	12321	F11, Cl.2(1-1/4 Cr.)	13%Cr	2000 PSI @ 100 F	137.9 BAR @ 38 C
	12521	F22, Cl.3(2-1/4 Cr.)			
	12421	F5(5 Cr.)			
	12921	F9(9 Cr.)			

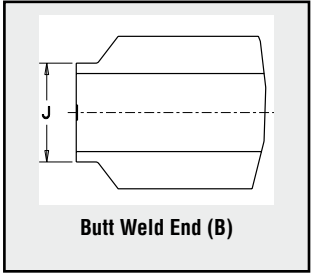
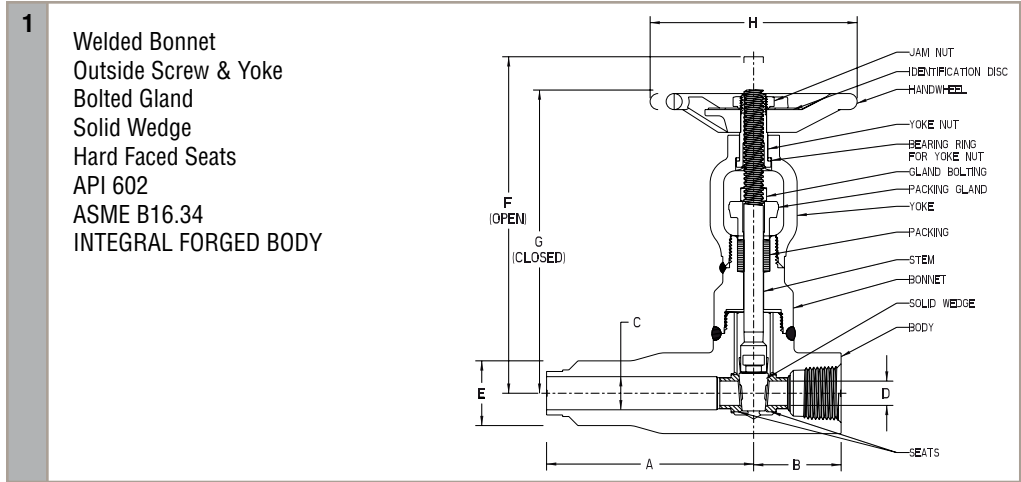
CONNECTION			
Extended Male End	Female End		
Butt Weld	Threaded	BT	(B)
Butt Weld	Socket Weld	BS	
Couplet	Threaded	CT	(C)
Couplet	Socket Weld	CS	
Socket Weld	Threaded	ST*	(S)
Socket Weld	Socket Weld	SS	
Threaded	Threaded	TT	(T)
Threaded	Socket Weld	TS	

*Example Series Designation: ST2801, CT2901, BT12111, etc.

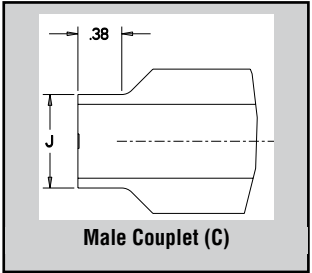
Dimensions

SIZE		A(B)	A(C)	A(S)	A(T)	B	C(B)	C(C)	C(S)	C(T)	D	D(T)	E	F	G	H	J	K	WEIGHT	Cv
-04	NPS 1/2	4.00	4.38	4.00	4.00	1.69	.64	.64	.64	.52	.50	.41	1.25	6.50	5.86	4.00	.81	.84	4.3	6.5
	DN 15	102	111	102	102	43	16.3	16.3	16.3	13.2	12.7	10.4	31.8	165	149	102	20.6	21.3	2.0	
-05	NPS 3/4	4.00	4.38	4.00	4.00	1.69	.64	.64	.64	.64	.50	.47	1.25	6.50	5.86	4.00	.81	1.05	4.2	9.0
	DN 20	102	111	102	102	43	16.3	16.3	16.3	16.3	12.7	11.9	31.8	165	149	102	20.6	26.7	1.9	
-06	NPS 1	4.38	4.75	4.38	4.38	2.00	.89	.89	.89	.89	.75	.69	1.56	8.38	7.43	4.75	1.06	1.32	7.6	27.7
	DN 25	111	121	111	111	51	22.6	22.6	22.6	22.6	19.1	17.5	39.6	213	189	121	26.9	33.5	3.4	
-08	NPS 1 1/2	5.00	5.00	5.00	5.00	2.38	1.47	1.47	1.47	1.47	1.25	1.25	2.25	10.14	8.71	5.75	1.69	1.90	13.2	78.0
	DN 40	127	127	127	127	60	37.3	37.3	37.3	37.3	31.8	31.8	57.2	258	221	146	42.9	48.3	6.0	
-04	NPS 1/2	7.00	7.00	7.00	7.00	1.69	.75	.75	.64	.52	.50	.41	1.56	6.50	5.86	4.00	.97	.84	5.4	9.6
	DN 15	178	178	178	178	43	19.1	19.1	16.3	13.2	12.7	10.4	39.6	165	149	102	24.6	21.3	2.4	
-05	NPS 3/4	7.00	7.00	7.00	7.00	1.69	.75	.75	.75	.64	.50	.47	1.56	6.50	5.86	4.00	.97	1.05	5.4	9.7
	DN 20	178	178	178	178	43	19.1	19.1	19.1	16.3	12.7	11.9	39.6	165	149	102	24.6	26.7	2.4	
-06	NPS 1	7.50	7.50	7.50	7.50	2.00	1.00	1.00	1.00	.89	.75	.69	1.94	8.38	7.43	4.75	1.22	1.32	9.3	20.3
	DN 25	191	191	191	191	51	25.4	25.4	25.4	22.6	19.1	17.5	49.3	213	189	121	31.0	33.5	4.2	
-08	NPS 1 1/2	8.00	8.00	8.00	8.00	2.38	1.50	1.50	1.50	1.47	1.25	1.25	2.56	10.14	8.71	5.75	1.72	1.90	16.5	78.0
	DN 40	203	203	203	203	60	38.1	38.1	38.1	37.3	31.8	31.8	65.0	258	221	146	43.7	48.3	7.5	
-09	NPS 2	10.00	10.00	10.00	10.00	2.63	1.94	1.94	1.94	1.81	1.50	1.50	3.12	11.09	9.40	7.00	2.16	2.38	24.0	117.6
	DN 50	254	254	254	254	67	49.3	49.3	49.3	46.0	38.1	38.1	79.2	282	239	178	54.9	60.5	10.9	
-04	NPS 1/2	7.00	7.00	4.50	4.50	1.69	.75	.75	.64	.52	.50	.41	1.56	6.29	5.73	4.00	.97	.84	6.8	9.6
	DN 15	178	178	114	114	43	19.1	19.1	16.3	13.2	12.7	10.4	39.6	160	146	102	24.6	21.3	3.1	
-05	NPS 3/4	7.00	7.00	4.50	4.50	1.69	.75	.75	.75	.65	.50	.47	1.56	6.29	5.73	4.00	.97	1.05	6.8	9.7
	DN 20	178	178	114	114	43	19.1	19.1	19.1	16.5	12.7	11.9	39.6	160	146	102	24.6	26.7	3.1	
-06	NPS 1	7.50	7.50	5.25	5.25	2.10	1.00	1.00	1.00	.89	.75	.69	1.94	8.37	7.43	4.75	1.22	1.32	11.2	20.3
	DN 25	191	191	133	133	53	25.4	25.4	25.4	22.6	19.1	17.5	49.3	213	189	121	31.0	33.5	5.1	
-08	NPS 1 1/2	8.00	8.00	6.38	6.38	2.38	1.50	1.50	1.50	1.47	1.25	1.25	2.56	10.12	8.71	5.75	1.72	1.90	20.4	78.0
	DN 40	203	203	162	162	60	38.1	38.1	38.1	37.3	31.8	31.8	65.0	257	221	146	43.7	48.3	9.3	
-09	NPS 2	10.00	10.00	6.00	6.00	2.92	1.94	1.94	1.81	1.81	1.50	1.50	3.12	11.12	9.42	7.00	2.16	2.38	27.0	117.6
	DN 50	254	254	152	152	74	49.3	49.3	46.0	46.0	38.1	38.1	79.2	282	239	178	54.9	60.5	12.2	

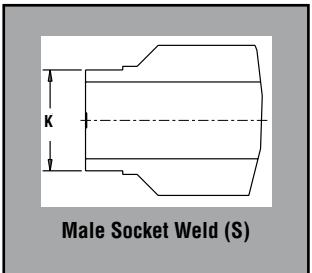
GATE Class 800



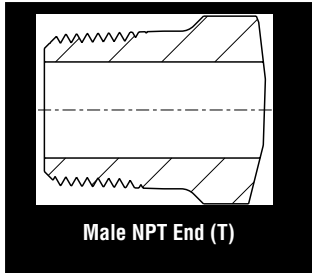
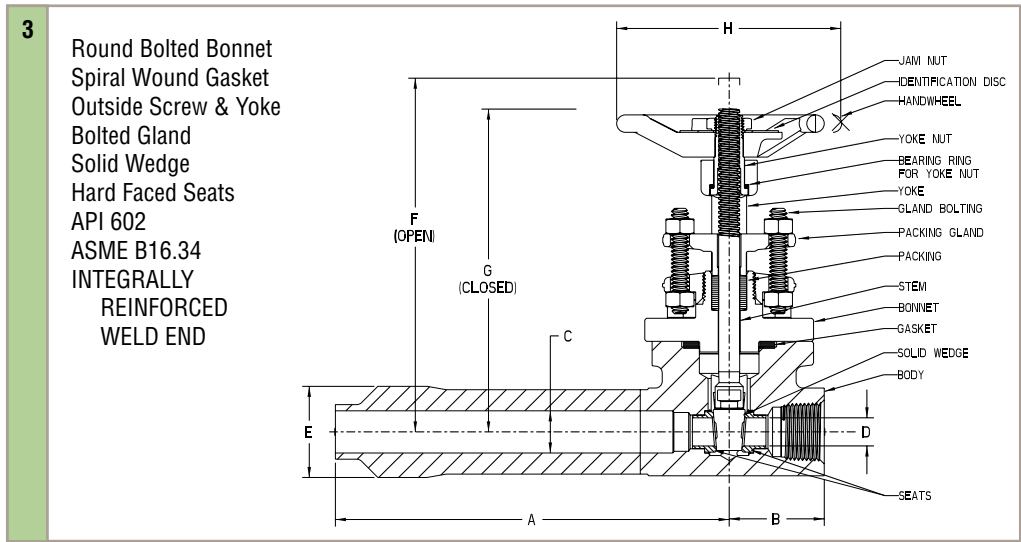
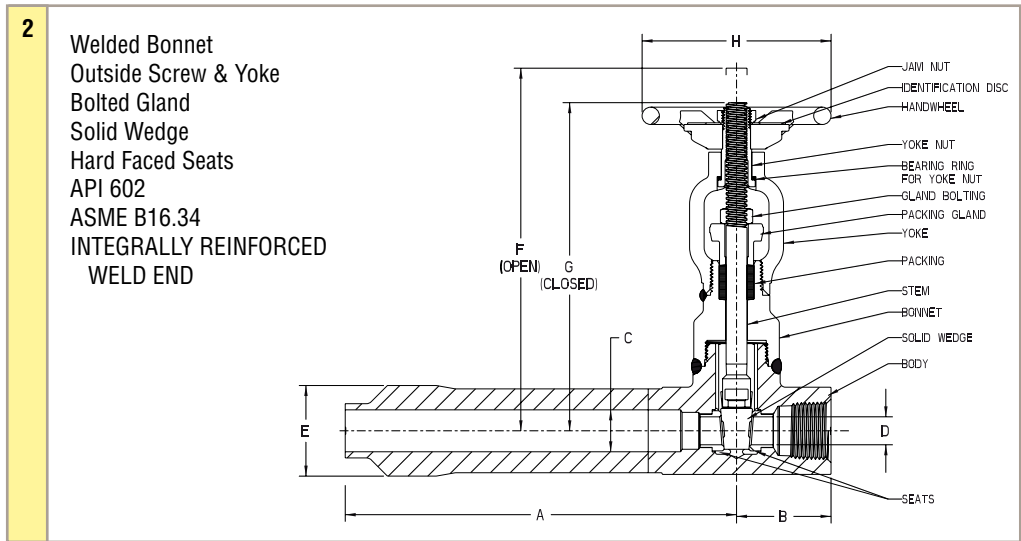
(B)



(C)



(S)



(T)

Forged Gate Valves – Extended Body Valves

Extended Body/Class 1500 Conventional Port Gate Valve

	SERIES	BODY/BONNET	TRIM	RATING	
1	15801*	A105	13%Cr	3705 PSI @ 100 F	255.3 BAR @ 38 C
	15831	F316/F316L	316	3600 PSI @ 100 F	248.2 BAR @ 38 C

2	15901	A105	13%Cr	3705 PSI @ 100 F	255.3 BAR @ 38 C
	15931	F316/F316L	316	3600 PSI @ 100 F	248.2 BAR @ 38 C
	15951	F11, Cl.2(1-1/4 Cr.)	13%Cr	3750 PSI @ 100 F	258.6 BAR @ 38 C
	15961	F22, Cl.3(2-1/4 Cr.)			

3	15111	A105	13%Cr	3705 PSI @ 100 F	255.3 BAR @ 38 C
	35111	A350 LF2		3705 PSI @ -50 F	255.3 BAR @ -46 C
	15401	F316/F316L	316	3600 PSI @ 100 F	248.2 BAR @ 38 C
	15321	F11, Cl.2(1-1/4 Cr.)	13%Cr	3750 PSI @ 100 F	258.6 BAR @ 38 C
	15521	F22, Cl.3(2-1/4 Cr.)			
	15421	F5(5 Cr.)			
	15921	F9(9 Cr.)			

*Example Series Designation: ST15801, CT15901, BT15111, etc.

CONNECTION			
Extended Male End	Female End		
Butt Weld	Threaded	BT	(B)
Butt Weld	Socket Weld	BS	
Couplet	Threaded	CT	(C)
Couplet	Socket Weld	CS	
Socket Weld	Threaded	ST*	(S)
Socket Weld	Socket Weld	SS	

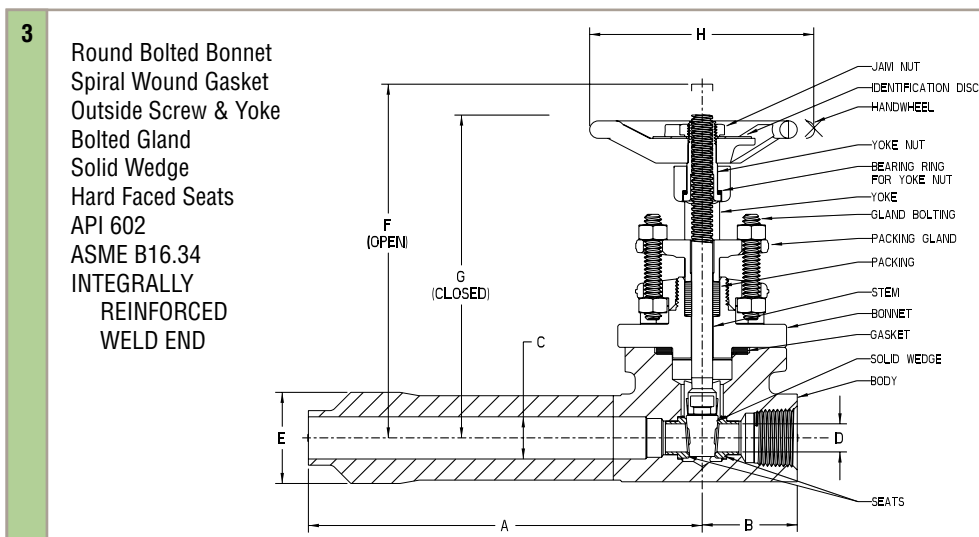
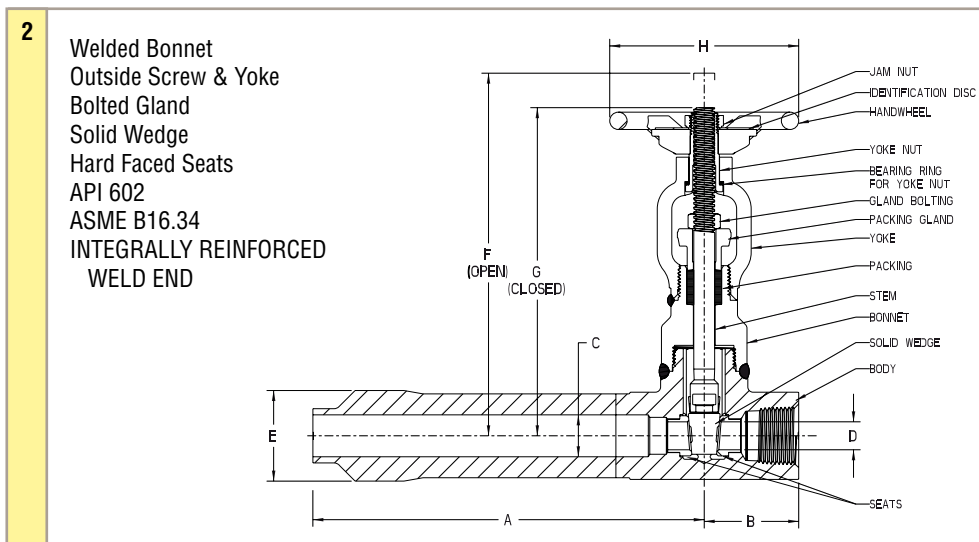
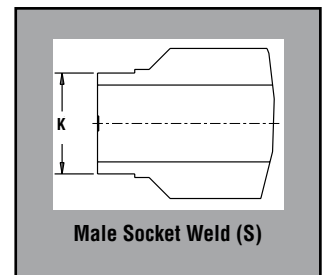
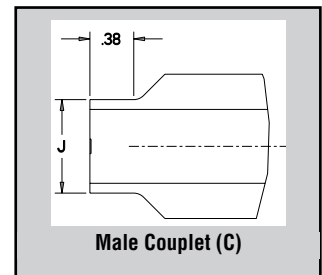
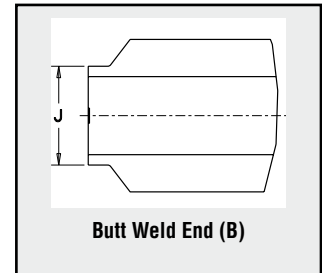
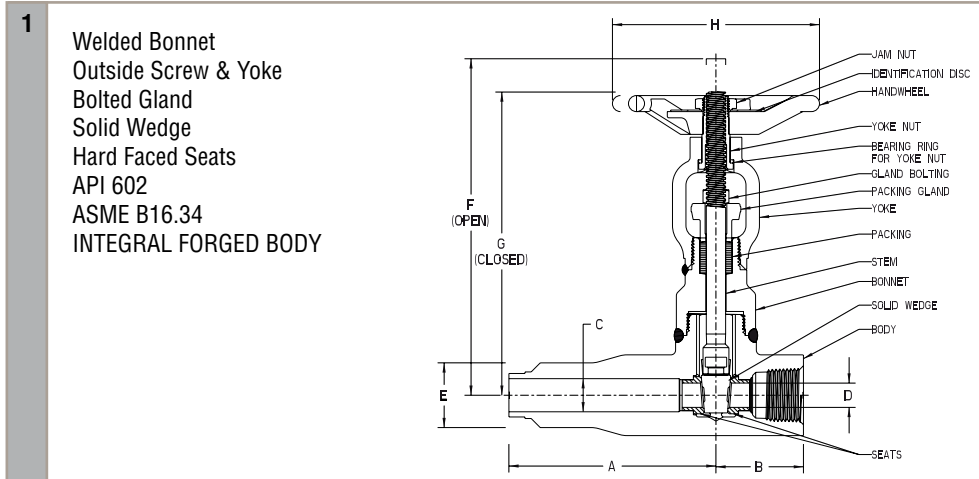
Dimensions

SIZE			A	B	C(B)	C(C)	C(S)	D	D(T)	E	F	G	H	J	K	WEIGHT	Cv
-04	NPS	½	4.69	2.00	.75	.75	.69	.50	.41	1.56	7.54	6.90	4.75	.81	.84	7.8	9.6
	DN	15	119	51	19.1	19.1	17.5	12.7	10.4	39.6	192	175	121	20.6	21.3	3.5	
-05	NPS	¾	4.69	2.00	.75	.75	.75	.50	.47	1.56	7.54	6.90	4.75	.81	1.05	7.7	9.7
	DN	20	119	51	19.1	19.1	19.1	12.7	11.9	39.6	192	175	121	20.6	26.7	3.5	
-06	NPS	1	5.37	2.38	1.00	1.00	1.12	.75	.69	2.25	9.69	8.77	7.00	1.22	1.32	15.5	20.3
	DN	25	136	60	25.4	25.4	28.4	19.1	17.5	57.2	246	223	178	26.9	33.5	7.0	

-04	NPS	½	6.50	2.00	.75	.75	.69	.50	.41	1.56	7.54	6.90	4.75	.97	.84	9.7	9.6
	DN	15	165	51	19.1	19.1	17.5	12.7	10.4	39.6	192	175	121	24.6	21.3	4.4	
-05	NPS	¾	7.50	2.00	.75	.75	.75	.50	.47	1.94	7.54	6.90	4.75	.97	1.05	9.6	9.7
	DN	20	191	51	19.1	19.1	19.1	12.7	11.9	49.3	192	175	121	24.6	26.7	4.4	
-06	NPS	1	7.50	2.38	1.00	1.00	1.12	.75	.69	1.94	9.69	8.77	7.00	1.22	1.32	17.2	20.3
	DN	25	191	60	25.4	25.4	28.4	19.1	17.5	49.3	246	223	178	31.0	33.5	7.8	
-08	NPS	1½	10.00	2.63	1.50	1.50	1.50	1.25	1.25	3.12	11.40	9.98	8.00	1.72	1.90	30.1	91.6
	DN	40	254	67	38.1	38.1	38.1	31.8	31.8	79.2	290	253	203	43.7	48.3	13.7	

-04	NPS	½	6.50	2.00	.75	.75	.69	.50	.41	1.56	7.51	6.90	4.75	.97	.84	10.6	9.6
	DN	15	165	51	19.1	19.1	17.5	12.7	10.4	39.6	191	175	121	24.6	21.3	4.8	
-05	NPS	¾	6.50	2.00	.75	.75	.75	.50	.47	1.56	7.51	6.90	4.75	.97	1.05	10.5	9.7
	DN	20	165	51	19.1	19.1	19.1	12.7	11.9	39.6	191	175	121	24.6	26.7	4.8	
-06	NPS	1	7.50	2.38	1.00	1.00	1.12	.75	.69	2.25	9.69	8.78	7.00	1.22	1.32	20.9	20.3
	DN	25	191	60	25.4	25.4	28.4	19.1	17.5	57.2	246	223	178	31.0	33.5	9.5	
-08	NPS	1½	10.00	2.63	1.50	1.50	1.50	1.25	1.25	3.12	11.40	9.98	8.00	1.72	1.90	36.9	91.6
	DN	40	254	67	38.1	38.1	38.1	31.8	31.8	79.2	290	253	203	43.7	48.3	16.7	

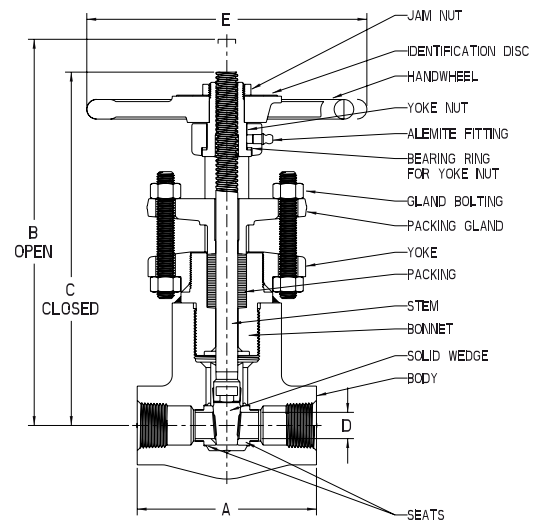
GATE Class 1500



Forged Gate Valves

Class 2500/2680 Gate Valve Full Port

Welded Bonnet
 Outside Screw & Yoke
 Bolted Gland
 Solid Hard Faced Wedge
 Hard Faced Seats
 ASME B16.34 LTD. Pressure Class



CONNECTION	SERIES	BODY/BONNET	TRIM	RATING		CLASS
Threaded Threaded X Socket Weld TSW	66703	A105	13% Cr.	6250 PSI @ 100 F	430.9 BAR @ 38 C	2500 LTD
	66743	A350 LF2		6250 PSI @ -50 F	430.9 BAR @ -46 C	
	66713	F11, Cl.2(1-1/4 Cr.)		6250 PSI @ 100 F	430.9 BAR @ 38 C	
	66773	F22, Cl.3(2-1/4 Cr.)				
	66791	F91		6250 PSI @ 100 F	430.9 BAR @ 38 C	
Socket Weld	SW66703	A105	13% Cr.	6700 PSI @ 100 F	461.9 BAR @ 38 C	2680 LTD
	SW66743	A350 LF2		6700 PSI @ -50 F	461.9 BAR @ -46 C	
	SW66713	F11, Cl.2(1-1/4 Cr.)		6700 PSI @ 100 F	461.9 BAR @ 38 C	
	SW66773	F22, Cl.3(2-1/4 Cr.)				
	SW66791	F91		6700 PSI @ 100 F	461.9 BAR @ 38 C	

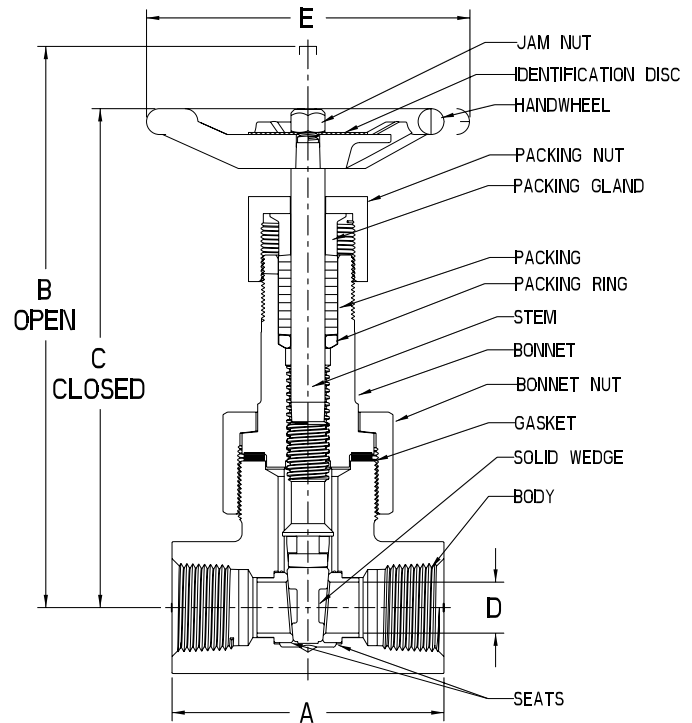
Dimensions

SIZE			A	B	C	D	E	WEIGHT	Cv
-04	NPS	½	4.00	8.84	8.28	.41	5.75	10.0	5.0
	DN	15	102	225	210	10.4	146	4.5	
-05	NPS	¾	5.12	11.03	10.09	.75	8.00	20.7	17.5
	DN	20	130	280	256	19.1	203	9.4	
-06	NPS	1	5.12	11.03	10.09	.75	8.00	20.3	16.1
	DN	25	130	280	256	19.1	203	9.2	
-08	NPS	1½	8.50	15.86	14.12	1.50	12.00	90.8	109.6
	DN	40	216	403	359	38.1	305	41.2	
-09	NPS	2	8.50	15.86	14.12	1.50	12.00	88.3	100.2
	DN	50	216	403	359	38.1	305	40.1	

Forged Gate Valves

Class 800 Conventional Port Gate Valve

Union Bonnet
 Spiral Wound Gasket
 Inside Screw Stem
 Screw Gland
 Solid Wedge
 Hard Faced Seats
 API 602
 ASME B16.34



CONNECTION	SERIES	BODY/BONNET	TRIM	RATING
Threaded	59851	A105	13% Cr	1975 PSI @ 100 F
Socket Weld	59951*	F316/F316L	316	1920 PSI @ 200 F
Threaded/Socket Weld				136.2 BAR @ 38 C
				132.4 BAR @ 38 C

* Not for dry service

Dimensions

SIZE	A	B	C	D	E	WEIGHT	Cv
-04	NPS ½	3.38	6.44	5.88	.50	4.00	4.8
	DN 15	86	164	149	12.7	102	2.2
-05	NPS ¾	3.38	6.44	5.88	.50	4.00	4.7
	DN 20	86	164	149	12.7	102	2.1
-06	NPS 1	4.00	8.31	7.38	.75	4.75	7.9
	DN 25	102	211	187	19.1	121	3.6
-07	NPS 1¼	4.75	10.75	9.38	1.25	5.75	16.4
	DN 32	121	273	238	31.8	146	7.4
-08	NPS 1½	4.75	10.75	9.38	1.25	5.75	16.1
	DN 40	121	273	238	31.8	146	7.3
-09	NPS 2	5.25	12.25	10.56	1.50	7.00	23.6
	DN 50	133	311	268	38.1	178	10.7

A105 only

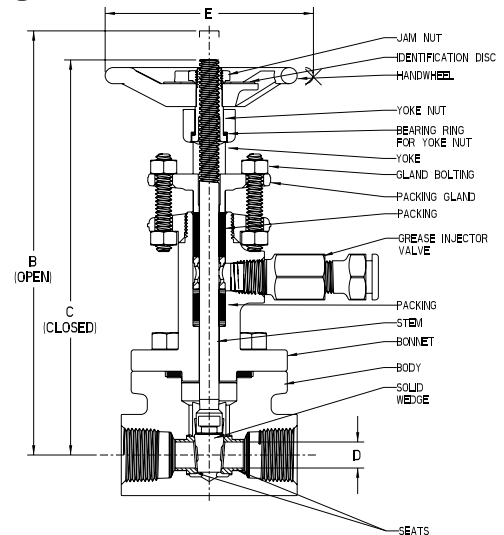
Forged Gate Valves – For HF Alkylation Service

Forged Gate Valves – For Emission Reduction

Class 800 Gate Valve

Conventional Port
Full Port

Round Bolted Bonnet
Spiral Wound Gasket
Outside Screw & Yoke
Bolted Gland
Double Packing
Lantern Ring
Grease Injector
Solid Wedge
API 602 (12111ER & 13111ER)
ASME B16.34



Vogt Alkylation valve – 42211MTG (UOP) Universal Oil Products Approved – SW43211HF2

contains TEFLON - max temperature 500°F

CONNECTION	CONV PORT	FULL PORT	BODY/BONNET	TRIM	SEATS	RATING	
Socket Weld Threaded Socket Weld SW	42211MTG	SW43211HF2	A105	Monel	Monel	1975 PSI @ 100 F	136.2 BAR @ 38 C

Emission Reduction

CONNECTION	CONV PORT	FULL PORT	BODY/BONNET	TRIM	SEATS	RATING	
Threaded Socket Weld (SW) Threaded/Socket Weld (TSW)	12111ER	13111ER	A105	13% Cr	13% Cr Hardfaced	1975 PSI @ 100 F	136.2 BAR @ 38 C

Dimensions

SIZE	A	B	C	D	E	WEIGHT	Cv
-04	NPS ½	3.38	8.15	7.59	.50	4.00	5.9
	DN 15	86	207	193	12.7	102	2.7
-05	NPS ¾	3.38	8.15	7.59	.50	4.00	5.8
	DN 20	86	207	193	12.7	102	2.6
-06	NPS 1	4.00	10.27	9.34	.75	4.75	9.8
	DN 25	102	261	237	19.1	121	4.4
-07	NPS 1¼	4.75	12.12	10.72	1.25	5.75	17.7
	DN 40	121	308	272	31.8	146	17.6
-08	NPS 1½	4.75	12.12	10.72	1.25	5.75	8.4
	DN 40	121	308	272	31.8	146	3.8
-09	NPS 2	5.25	13.38	11.69	1.50	7.00	23.0
	DN 50	133	340	297	38.1	178	10.4

CONVENTIONAL PORT

SIZE	A	B	C	D	E	WEIGHT	Cv
-04	NPS ½	3.38	8.15	7.59	.50	4.00	5.9
	DN 15	86	207	193	12.7	102	2.7
-05	NPS ¾	4.00	10.27	9.34	.75	4.75	9.9
	DN 20	102	261	237	19.1	121	4.5
-06	NPS 1	4.38	11.36	10.15	1.00	5.75	13.4
	DN 25	111	289	258	0.0	146	6.1

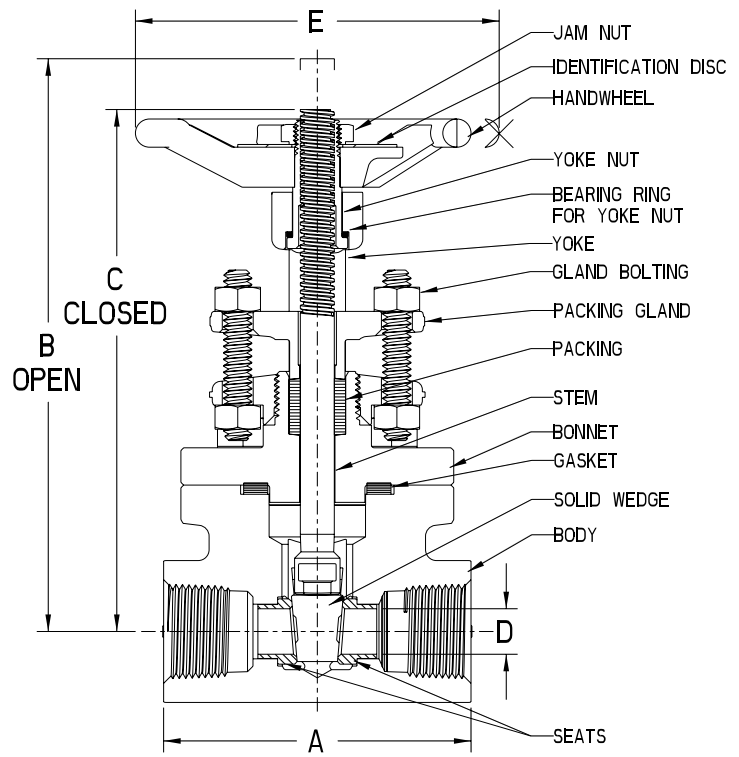
FULL PORT

Forged Gate Valves – For HF Alkylation Service

Class 600 Full Port Gate Valve

Round Bolted Bonnet
 Spiral Wound Gasket
 Outside Screw & Yoke
 Bolted Gland
 Solid Wedge
 API 602
 ASME B16.34

See page 20 for Class 800
 UOP Approved Alkylation
 Service valves.



Listed in Phillips Petroleum Company's HF Alkylation Process Design Spec. Manual

CONNECTION	SERIES	BODY/BONNET	TRIM	RATING
Threaded	43111MMP	A105	Monel	1480 PSI @ 100 F 102.1 BAR @ 38 C

Dimensions

SIZE	A	B	C	D	E	WEIGHT	Cv
-04 NPS ½ DN 15	3.38 86	6.30 160	5.75 146	.50 12.7	4.00 102	5.0 2.3	9.6
-05 NPS ¾ DN 20	4.0 102	8.37 213	7.43 189	.75 19.1	4.75 121	8.6 3.9	28.7
-06 NPS 1 DN 25	4.38 111	9.80 249	8.59 218	1.0 25.4	5.75 146	12.5 5.7	46.5

Forged Gate Valves – Bellowseal

Class 800 Gate Valve

Conventional Port

Full Port

Welded Bonnet

Outside Screw & Yoke

Bolted Gland

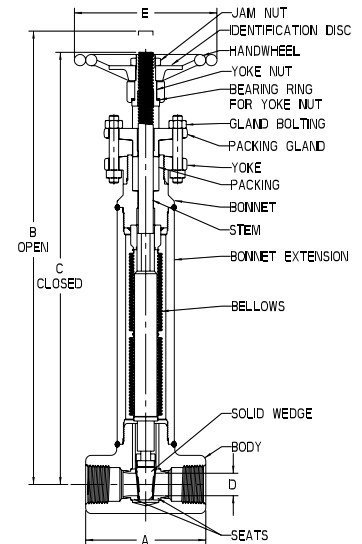
Solid Wedge

ASME B16.34

Seamless Multi-Ply Bellows 321 SS

Stem - 316 SS

Hard Faced Seats/Wedge



Bellowseal gate valves are suitable for applications requiring total containment of the flowing media frequently necessary to protect the environment and to eliminate the loss of hazardous and/or costly fluids.

The valve packing is totally isolated by the bellows from the flowing media and pressure. The packing is incorporated in the valve to serve in a "back-up" role only.

CONNECTION	CONV PORT	FULL PORT	BODY/BONNET	TRIM	RATING		
Threaded Socket Weld Threaded/Socket Weld	SW	2801B	3801B	A105	13% Cr	1975 PSI @ 100 F	136.2 BAR @ 38 C
		32801B	33801B	A350 LF2	13% Cr	1975 PSI @ 100 F	136.2 BAR @ 38 C
	TSW	2831B	3831B	F316/F316L	316	1975 PSI @ -50 F	136.2 BAR @ -46 C
						1920 PSI @ 100 F	132.4 BAR @ 38 C

Dimensions

SIZE			A	B	C	D	E	WEIGHT	Cv
CONVENTIONAL PORT	-04	NPS ½	3.38	10.56	10.06	.50	4.00	8.2	9.6
		DN 15	86	268	256	12.7	102	3.7	
	-05	NPS ¾	3.38	10.56	10.06	.50	4.00	8.1	9.7
		DN 20	86	268	256	12.7	102	3.7	
	-06	NPS 1	4.00	15.38	14.38	.75	4.75	11.0	20.3
		DN 25	102	384	365	19.1	121	5.0	
	-08	NPS 1½	5.25	20.25	18.81	1.50	7.00	28.3	109.6
		DN 40	133	514	478	38.1	178	12.8	
	-09	NPS 2	5.25	20.25	18.81	1.50	7.00	27.8	117.6
		DN 50	133	514	478	38.1	178	12.6	

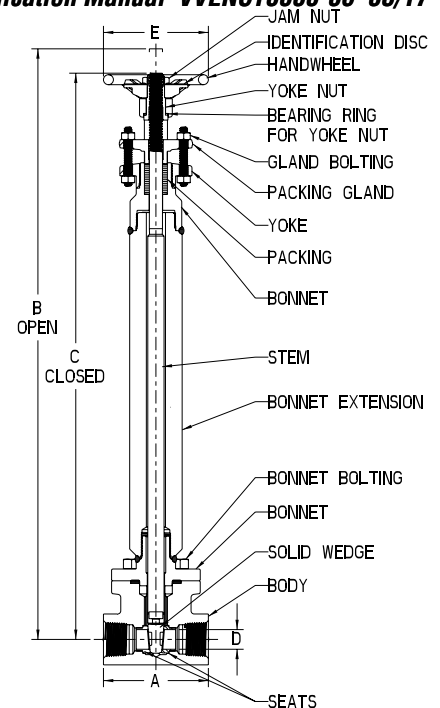
FULL PORT	-04	NPS ½	3.38	10.56	10.06	.50	4.00	4.2	9.6
		DN 15	86	268	256	12.7	102	1.9	
	-05	NPS ¾	4.00	15.38	14.38	.75	4.75	11.0	28.7
		DN 20	102	384	365	19.1	121	5.0	
	-08	NPS 1½	5.25	20.25	18.81	1.50	7.00	28.3	109.6
		DN 40	133	514	478	38.1	178	12.8	

Forged Gate Valves – Cryogenic Service to -325°F(-198°C) Class 800 & 1500 Gate Valve

Conventional Port
Full Port

Round Bolted Bonnet
Spiral Wound Gasket
Outside Screw & Yoke
Bolted Gland
Solid Wedge
Hard Faced Seats
Extended Bonnet
ASME B16.34
MSS SP-134

Valve contains TEFLON – Max temp of 500° F



CONNECTION		CONV PORT	FULL PORT	BODY/BONNET	TRIM	RATING		
Threaded Socket Weld Threaded/Socket Weld	SW TSW	12401C	13401C	F316/F316L	316	1920 PSI @ 100 F	132.4 BAR @ 38 C	Class 800
						1920 PSI @ -325 F	132.4 BAR @ -198 C	
		15401C	16401C	F316/F34L	316	3600 PSI @ 100 F	248.2 BAR @ 38 C	Class 1500
						3600 PSI @ -325 F	248.2 BAR @ -198 C	

Dimensions

Size		A	B	C	D	E	WEIGHT	Cv									
CONVENTIONAL PORT	-04 NPS ½	3.38	20.52	19.96	.50	4.00	10.0	9.6	FULL PORT	-04 NPS ½	3.38	20.52	19.96	.50	4.00	10.0	9.6
		DN 15	86	521	507	12.7	102				4.6	DN 15	86	521	507	12.7	
	-05 NPS ¾	3.38	20.52	19.96	.50	4.00	9.8	9.7		-05 NPS ¾	4.00	22.52	21.59	.75	4.75	20.5	28.7
		DN 20	86	521	507	12.7	102				4.7	DN 20	102	572	548	19.1	
	-06 NPS 1	4.00	22.52	21.59	.75	4.75	20.4	20.3		-06 NPS 1	4.38	26.37	25.21	1.00	5.75	37.3	46.5
		DN 25	102	572	548	19.1	121				9.3	DN 25	111	670	640	25.4	
	-07 NPS 1¼	4.75	27.99	26.58	1.25	5.75	32.2	80.5		-07 NPS 1¼	4.75	27.99	26.58	1.25	5.75	32.2	80.5
		DN 32	121	711	675	31.8	146				14.6	DN 32	121	711	675	31.8	
	-08 NPS 1½	4.75	27.99	26.58	1.25	5.75	32.2	91.6		-08 NPS 1½	5.25	26.79	25.10	1.50	7.0	35.0	109.6
		DN 40	121	711	675	31.8	146				14.6	DN 40	133	680	638	38.1	
	-09 NPS 2	5.25	26.29	25.10	1.50	7.00	34.7	117.6		-09 NPS 2	7.00	27.53	25.84	1.50	9.75	64.1	117.6
		DN 50	133	680	638	38.1	178				15.7	DN 50	178	699	656	38.1	
CONVENTIONAL PORT	-04 NPS ½	4.00	20.79	20.18	.50	4.75	19.5	9.6	FULL PORT	-04 NPS ½	4.00	20.79	20.18	.50	4.75	19.5	9.6
		DN 15	102	528	513	12.7	121				8.9	DN 15	102	528	513	12.7	
	-05 NPS ¾	4.00	20.79	20.18	.50	4.75	19.3	9.7		-05 NPS ¾	4.75	21.51	20.59	.75	7.0	25.5	28.7
		DN 20	102	528	513	12.7	121				8.8	DN 20	121	546	523	19.1	
	-06 NPS 1	4.75	21.51	20.59	.75	7.0	25.0	20.3		-06 NPS 1	4.38	22.52	21.59	1.00	5.75	37.3	46.5
		DN 25	121	546	523	19.1	178				11.3	DN 25	111	572	548	25.4	
	-07 NPS 1¼	5.25	26.53	25.11	1.25	8.0	39.6	80.5		-07 NPS 1¼	5.25	26.53	25.11	1.25	8.0	39.6	80.5
		DN 32	133	674	638	31.8	203				18.0	DN 32	133	674	638	31.8	
	-08 NPS 1½	5.25	26.53	25.11	1.25	8.0	39.0	91.6		-08 NPS 1½	7.00	27.53	25.84	1.50	9.75	65.0	109.6
		DN 40	133	674	638	31.8	203				17.7	DN 40	178	699	656	38.1	
	-09 NPS 2	7.00	27.53	25.84	1.50	9.75	64.1	117.6		-09 NPS 2	7.00	27.53	25.84	1.50	9.75	64.1	117.6
		DN 50	178	699	656	38.1	248				29.1	DN 50	178	699	656	38.1	

Refer to page 4 for optional trim and service configurations.
Refer to pages 126 & 127 for full materials description.

Refer to page 111-113 for end connections.
Refer to pages 114-115 for other ratings

Forged Gate Valves – Meets API-600 Required Wall Thickness

Class 800 Gate Valve

Conventional Port

Full Port

Round Bolted Bonnet

Spiral Wound Gasket

Outside Screw & Yoke

Bolted Gland

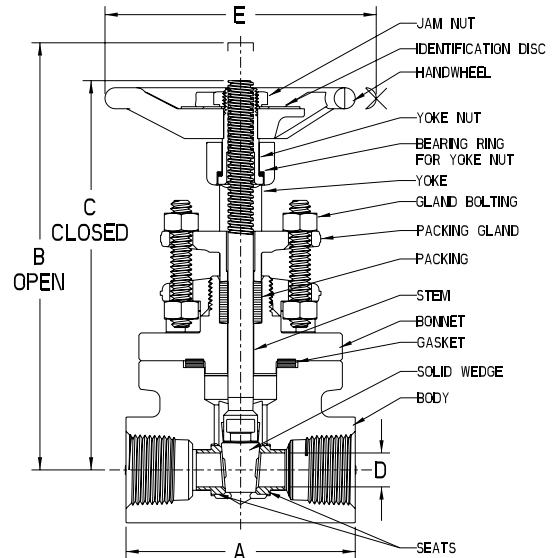
Solid Wedge

Hard Faced Seats

Meets API-600 Required Wall Thickness

API 602

ASME B16.34



CONNECTION	CONV PORT	FULL PORT	BODY/BONNET	TRIM	RATING		
Threaded Socket Weld Threaded x Socket Weld	SW TSW	12601	13601	A105	13% Cr	1975 PSI @ 100 F	136.2 BAR @ 38 C
		12602	13602	A350 LF2	13% Cr	1975 PSI @ 100 F	136.2 BAR @ 38 C
		12603	13603	F316/F316L	316	1920 PSI @ 100 F	132.4 BAR @ 38 C
		12604	13604	F11, Cl.2	*13% Cr	2000 PSI @ 100 F	137.9 BAR @ 38 C
		12605	13605	F22, Cl.3	*13% Cr	2000 PSI @ 100 F	137.9 BAR @ 38 C

**Hardfaced Wedge/Seats*

Dimensions

SIZE			A	B	C	D	E	WEIGHT	Cv
CONVENTIONAL PORT	-04	NPS ½	4.00	7.51	6.90	.50	4.75	8.9	9.6
		DN 15	101.6	191	175	12.7	121	4.0	
	-05	NPS ¾	4.00	7.51	6.90	.50	4.75	9.7	9.7
		DN 20	101.6	191	175	12.7	121	4.4	
	-06	NPS 1	4.75	9.69	8.77	.75	7.00	17.5	20.3
		DN 25	120.7	246	223	19.1	178	7.9	
	-07	NPS 1¼	5.25	11.40	9.98	1.25	8.00	27.3	80.5
		DN 32	133.4	290	253	31.8	203	12.4	
	-08	NPS 1½	5.25	11.40	9.98	1.25	8.00	26.7	91.6
		DN 40	133.4	290	253	31.8	203	12.1	
	-09	NPS 2	7.00	13.84	12.15	1.50	9.75	46.1	117.6
		DN 50	177.8	352	309	38.1	248	20.9	

FULL PORT	-04	NPS ½	4.00	7.51	6.90	.50	4.75	17.5	9.6
		DN 15	101.6	191	175	12.7	121	7.9	
	-05	NPS ¾	4.75	9.69	8.77	.75	7.00	17.9	28.7
		DN 20	120.7	246	223	19.1	178	8.1	
	-06	NPS 1	5.25	11.31	9.96	1.00	8.00	28.3	46.5
		DN 25	133.4	287	253	25.4	203	12.8	
	-07	NPS 1¼	5.25	11.40	9.98	1.25	8.00	27.3	80.5
		DN 32	133.4	290	253	31.8	203	12.4	
	-08	NPS 1½	7.00	13.84	12.15	1.50	9.75	46.1	109.6
		DN 40	177.8	352	309	38.1	248	20.9	

Refer to page 4 for optional trim and service configurations.

Refer to pages 126 & 127 for full materials description.

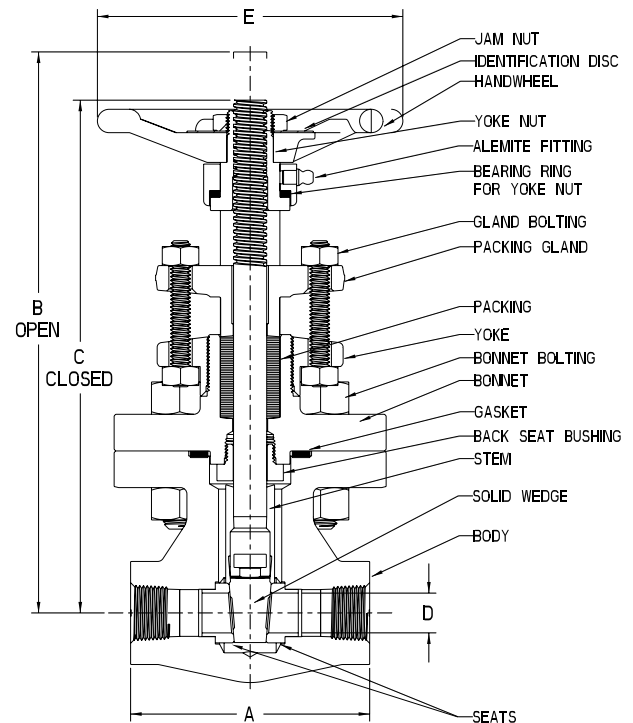
Refer to page 111-113 for end connections.

Refer to pages 114-115 for other ratings.

Forged Gate Valves – Meets API-600 Required Wall Thickness

Class 800 Full Port Gate Valve

Round Bolted Bonnet
 Spiral Wound Gasket
 Outside Screw & Yoke
 Bolted Gland
 Solid Wedge
 Hard Faced Seats
 Meets API 600 required wall thickness
 ASME B16.34



CONNECTION	SERIES	BODY/BONNET	TRIM	RATING
Threaded Socket Weld SW	11103	A105	13% Cr	1975 PSI @ 100 F 136.2 BAR @ 38 C

Dimensions

SIZE	A	B	C	D	E	WEIGHT	Cv
-04	NPS ½	3.62	9.52	8.78	.56	4.75	12.4
	DN 15	92	242	223	14.2	121	5.6
-05	NPS ¾	4.50	10.56	9.65	.75	5.75	19.9
	DN 20	114	268	245	19.1	146	9.0
-06	NPS 1	5.00	11.75	10.56	1.0	7.00	29.4
	DN 25	127	298	268	25.4	178	13.3
-07	NPS 1¼	6.50	14.12	12.62	1.25	8.00	41.2
	DN 32	165	359	321	31.8	203	18.7
-08	NPS 1½	7.25	16.37	14.68	1.50	9.75	63.0
	DN 40	184	416	373	38.1	248	28.6
-09	NPS 2	9.00	19.00	16.81	2.00	9.75	90.8
	DN 50	229	483	427	50.8	248	41.2

Refer to page 4 for optional trim and service configurations.

Refer to page 111-113 for end connections.

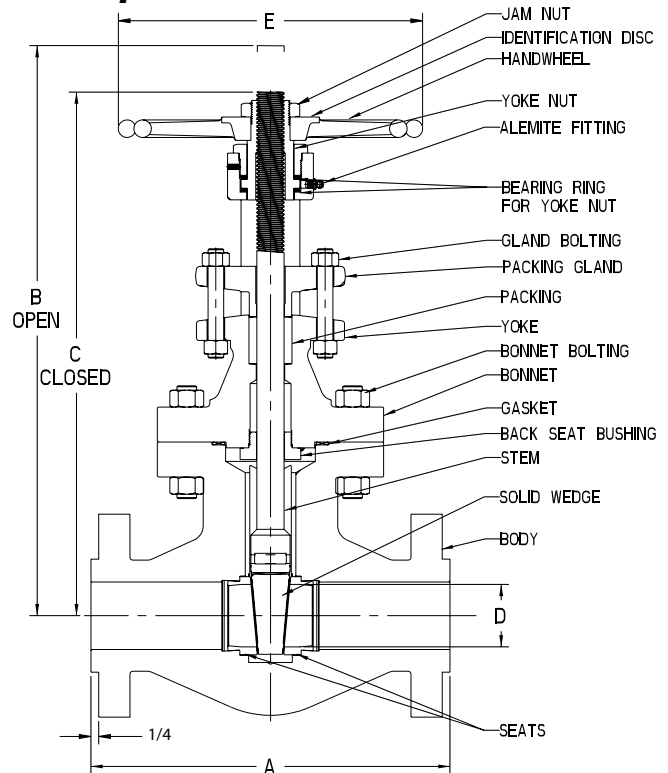
Refer to pages 126 & 127 for full materials description.

Refer to pages 114-115 for other ratings.

Forged Gate Valves – Meets API-600 Required Wall Thicknesses

Class 600 gate Valve Full Port

Round Bolted Bonnet
 Spiral Wound Gasket
 Outside Screw & Yoke
 Bolted Gland
 Solid Wedge
 Hard Faced Seats
 Meets API 600 required wall thickness
 ASME B16.34



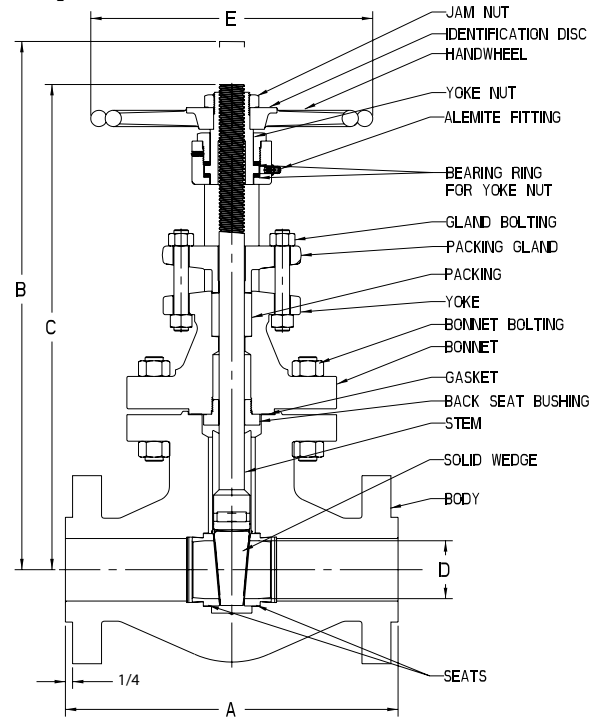
CONNECTION	SERIES	BODY/BONNET	TRIM	RATING
1/4 RF	11403	A105	13% Cr	1480 PSI @ 100 F 102.1 BAR @ 38 C

Dimensions

SIZE			A	B	C	D	E	WEIGHT	Cv
-04	NPS	½	6.50	10.44	9.69	.56	4.75	19.5	9.6
	DN	15	165	265	246	14.2	121	8.8	
-05	NPS	¾	7.50	11.31	10.38	.75	5.75	31.2	28.7
	DN	20	191	287	264	19.1	146	14.2	
-06	NPS	1	8.50	12.56	11.44	1.00	7.00	45.0	46.5
	DN	25	216	319	291	25.4	178	20.4	
-07	NPS	1¼	9.00	14.12	12.62	1.25	8.00	57.4	80.5
	DN	32	229	359	321	31.8	203	26.0	
-08	NPS	1½	9.50	16.38	14.69	1.50	9.75	76.2	109.6
	DN	40	241	416	373	38.1	248	34.6	
-09	NPS	2	11.50	19.00	16.81	2.00	9.75	105.0	181.0
	DN	50	292	483	427	50.8	248	47.6	

Forged Gate Valves – Meets API-600 Required Wall Thicknesses

Class 1500 Full Port Flanged Gate Valve



BONNET GASKET	CONNECTION	SERIES	BODY/BONNET	TRIM	RATING	
Flat Gasket Joint	1/4 RF	11603	A105	13% Cr	3705 PSI @ 100 F	255.3 BAR @ 38 C
Ring Joint Gasket (Not illustrated)	Ring Joint (Not illustrated)	11683	A105	13% Cr	3705 PSI @ 100 F	255.3 BAR @ 38 C

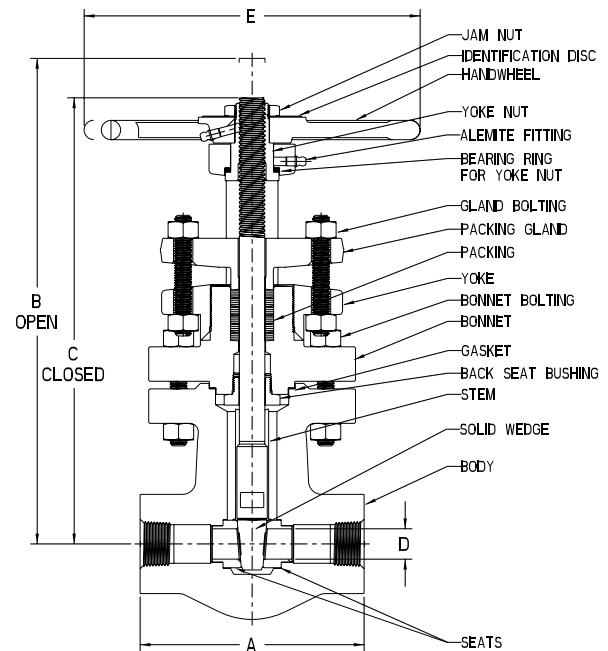
Dimensions

SIZE			A	B	C	D	E	WEIGHT	Cv
-04	NPS	½	8.50	12.12	11.38	.56	7.00	43.3	11.8
	DN	15	216	308	289	14.2	178	19.6	
-05	NPS	¾	9.00	14.00	12.94	.75	7.00	55.0	28.7
	DN	20	229	356	329	19.1	178	24.9	
-06	NPS	1	10.00	15.62	14.50	.88	8.00	76.0	32.0
	DN	25	254	397	368	22.4	203	34.5	
-07	NPS	1¼	11.00	17.75	16.44	1.12	9.75	92.0	83.2
	DN	32	279	451	418	28.4	248	41.7	
-08	NPS	1½	12.00	20.12	18.38	1.38	12.00	117.8	109.6
	DN	40	305	511	467	35.1	305	53.4	
-09	NPS	2	14.50	23.56	21.25	2.00	13.75	230.0	181.0
	DN	50	368	598	540	50.8	349	104.3	

Forged Gate Valves

Class 1500 Full Port Gate Valve

Round Bolted Bonnet
 Outside Screw & Yoke
 Bolted Gland
 Solid Wedge
 Hard Faced Seats
 Meets API 600 required wall thickness
 ASME B16.34



BONNET GASKET	CONNECTION	SERIES	BODY/BONNET	TRIM	RATING	
Flat Gasket Joint	Threaded Socket Weld SW	1033	A105	13% Cr	3705 PSI @ 100 F	255.3 BAR @ 38 C
Ring Joint Gasket (Not illustrated)	Threaded Socket Weld SW	1043	A105	13% Cr	3705 PSI @ 100 F	255.3 BAR @ 38 C

Dimensions

SIZE	A	B	C	D	E	WEIGHT	Cv
-04	NPS ½	4.50	10.75	10.00	.56	5.75	21.9
	DN 15	114	273	254	14.2	146	9.9
-05	NPS ¾	5.00	11.81	10.90	.75	7.00	29.9
	DN 20	127	300	277	19.1	178	13.6
-06	NPS 1	6.50	14.06	12.94	.88	8.00	44.4
	DN 25	165	357	329	22.4	203	20.1
-07	NPS 1¼	7.25	13.38	14.88	1.25	9.75	63.0
	DN 32	184	340	378	31.8	248	28.6
-08	NPS 1½	9.00	18.75	17.12	1.38	9.75	100.0
	DN 40	229	476	435	35.1	248	45.4
-09	NPS 2	9.50	21.00	18.69	2.00	12.00	116.3
	DN 50	241	533	475	50.8	305	52.8

Recommended Valve Orientation

VALVE TYPE	STEM ORIENTATION HORIZONTAL LINE ⁽¹⁾	STEM ORIENTATION VERTICAL LINE ⁽²⁾
Gate	Any (except vertical down) Preferred vertical stem upright	Any Preferred stem horizontal
Gate Valve ⁽³⁾ Motor/air-operated	Any (except vertical down) Preferred vertical stem upright	Any Preferred stem horizontal
Globe-T pattern	Any (except vertical down) Preferred vertical stem upright	Any Preferred stem horizontal
Globe-T pattern ⁽³⁾ Motor/air-operated	Any (except vertical down) Preferred vertical stem upright	Any Preferred stem horizontal
Globe-Y pattern	Any Preferred stem at $\pm 50^\circ$ to pipe run in upright position.	Any Preferred stem at $\pm 50^\circ$ to normal of pipe run
Globe-Y pattern ⁽³⁾ Motor/air-operated	Any Preferred stem at $\pm 50^\circ$ to pipe run in upright position.	Any Preferred stem at $\pm 50^\circ$ to normal of pipe run
Angle	Any (except vertical down) Preferred vertical stem upright	Any Preferred stem vertical upright
Angle ⁽³⁾ Motor/air-operated	Any (except vertical down) Preferred vertical stem upright	Any Preferred stem vertical upright
Ball or Piston lift check valve-T pattern (no spring) (includes stop check valve)	Preferred vertical Upright Rotation off top dead center $\pm 40^\circ$	Not recommended
Ball or Piston lift check valve-T pattern (spring-controlled)	Preferred vertical upright Rotation off top dead center $\pm 90^\circ$	Any
Piston lift check valve-Y pattern (spring-controlled)	Preferred vertical upright Rotation off top dead center $\pm 90^\circ$	Any
Swing check valve	Preferred vertical upright Rotation off top dead center $\pm 30^\circ$	Any, but upward vertical flow required
Stop check valves	Preferred vertical Upright Rotation off top dead center $\pm 40^\circ$	Not recommended

General

- Gate, globe, angle and spring-controlled check valve designs oriented with stems or body run vertical down orient the valve body cavities in such a manner that debris can be collected and not get flushed out. This may cause unreliable valve operation. A vertical stem down or body run down orientation is not recommended for fluid service that may include debris.
- Recommended orientation of motor/air-operated valves may be changed by the recommended orientation of the actuator.

Notes

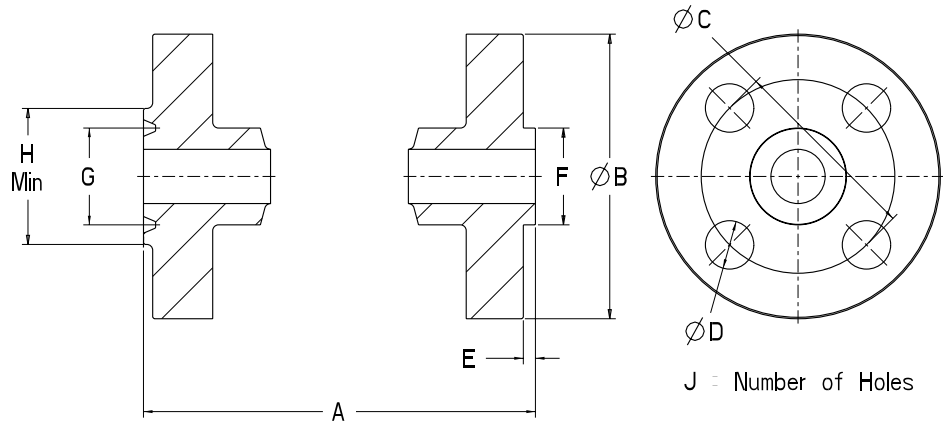
- ⁽¹⁾ A $\pm 5^\circ$ variation off horizontal for the pipe would not change the recommended except for swing check valves. This valve design will not close by gravity if the piping is off horizontal, which allows the swing check mechanism to swing away from the seat.
- ⁽²⁾ A $\pm 5^\circ$ off variation vertical for vertical piping does not change the recommendations in the table.
- ⁽³⁾ For small-bore socket welding and threaded valves equipped with a motor or air operator mounted in a horizontal plane, it is recommended that external supports to be added to the piping arrangement to remove the load from the connecting socket welds or threads of the valve.

End Connections

Raised Face & Ring Joint Flange

Valve flanges conform to ASME Standard B16.5 and end-to-end dimensions conform to ASME B16.10

- A0 - Raised Face - Gate, Globe, Check
- A1 - Raised Face - Gate
- A2 - Raised Face - Globe, Check
- A3 - Ring Joint - Gate, Globe
- A4 - Raised Face - Swing Check



Dimensions

			CLASS 150									
SIZE			A1	A2	B	C	D	E	F	G	H	J
-04	NPS	½	4.25	4.25	3.50	2.38	0.62	0.06	1.38			4
	DN	15	108.0	108.0	88.9	60.45	15.8	1.52	35.1			4
-05	NPS	¾	4.62	4.62	3.88	2.75	0.62	0.06	1.69			4
	DN	20	117.4	117.4	98.6	69.85	15.8	0.06	42.9			4
-06	NPS	1	5.00	5.00	4.25	3.12	0.62	0.06	2.00	1.875	2.50	4
	DN	25	127.0	127.0	108.0	79.25	15.8	1.52	50.8	47.63	63.5	4
-07	NPS	1¼	5.50	5.50	4.62	3.50	0.62	0.06	2.50	2.250	2.88	4
	DN	32	139.7	139.7	117.4	88.90	15.8	1.52	63.5	57.15	73.2	4
-08	NPS	1½	6.50	6.50	5.00	3.88	0.62	0.06	2.88	2.562	3.25	4
	DN	40	165.1	165.1	127.0	98.55	15.8	1.52	73.2	65.07	82.6	4
-09	NPS	2	7.00	8.00	6.00	4.75	0.75	0.06	3.62	3.250	4.00	4
	DN	50	177.8	203.2	152.4	120.65	19.1	1.52	92.0	82.55	101.6	4
-10	NPS	2½	7.50	8.50	7.00	5.50	0.75	0.06	4.12	4.000	4.75	4
	DN	65	190.5	215.9	177.8	139.70	19.1	1.52	104.7	101.60	120.7	4
-11	NPS	3	8.00	9.50	7.50	6.00	0.75	0.06	5.00	4.500	5.25	4
	DN	80	203.2	241.3	190.5	152.40	19.1	1.52	127.0	114.30	133.4	4

-13	NPS	4	9.00	11.50	9.00	7.50	0.75	0.06	6.19	5.875	6.75	8
	DN	100	228.6	292.1	228.6	190.50	19.1	1.52	157.2	149.23	171.5	8

CLASS 300											
A1	A2	A4	B	C	D	E	F	G	H	J	
5.50	6.00	6.00	3.75	2.62	0.62	0.06	1.38	1.344	2.00	4	
139.7	152.4	152.4	95.3	66.55	15.8	1.52	35.1	34.14	50.8	4	
6.00	7.00	7.00	4.62	3.25	0.75	0.06	1.69	1.688	2.50	4	
152.4	177.8	177.8	117.4	82.55	19.1	0.06	42.9	42.88	63.5	4	
6.50	8.00	8.50	4.88	3.50	0.75	0.06	2.00	2.00	2.75	4	
165.1	203.2	215.9	124.0	88.90	19.1	1.52	50.8	50.80	69.9	4	
7.00	8.50	9.00	5.25	3.88	0.75	0.06	2.50	2.375	3.12	4	
177.8	215.9	228.6	133.4	98.55	19.1	1.52	63.5	60.33	79.3	4	
7.50	9.00	9.50	6.12	4.50	0.88	0.06	2.88	2.688	3.56	4	
190.5	228.6	241.3	155.5	114.30	22.4	1.52	73.2	68.28	90.4	4	
8.50	10.50	10.50	6.50	5.00	0.75	0.06	3.62	3.250	4.25	8	
215.9	266.7	266.7	165.1	127.00	19.1	1.52	92.0	82.55	108.0	8	
9.50	11.50	11.50	7.50	5.88	0.88	0.06	4.12	4.000	5.00	8	
241.3	292.1	292.1	190.5	149.35	22.4	1.52	104.7	101.60	127.0	8	
11.12	12.50	12.50	8.25	6.62	0.88	0.06	5.00	4.875	5.75	8	
282.5	317.5	317.5	209.6	168.15	22.4	1.52	127.0	123.83	146.1	8	
12.00	14.00	14.00	10.00	7.88	0.88	0.06	6.19	5.875	6.88	8	
304.8	355.6	355.6	254.0	200.15	22.4	1.52	157.2	149.23	174.8	8	

Dimensions

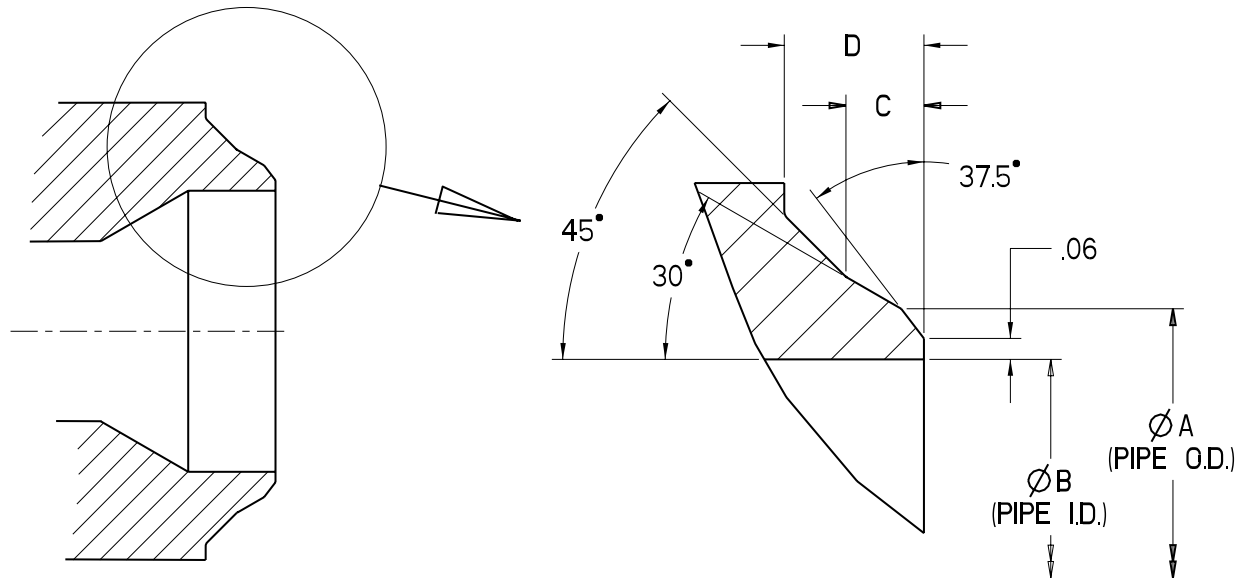
			CLASS 600									
SIZE			A1	A2	B	C	D	E	F	G	H	J
-04	NPS	½	6.50	6.50	3.75	2.62	0.62	0.25	1.38	1.344	2.00	4
	DN	15	165.1	165.1	95.3	66.55	15.8	6.35	35.1	34.14	50.8	4
-05	NPS	¾	7.50	7.50	4.62	3.25	0.75	0.25	1.69	1.688	2.50	4
	DN	20	190.5	190.5	117.4	82.55	19.1	0.06	42.9	42.88	63.5	4
-06	NPS	1	8.50	8.50	4.88	3.50	0.75	0.25	2.00	2.00	2.75	4
	DN	25	215.9	215.9	124.0	88.90	19.1	6.35	50.8	50.80	69.9	4
-07	NPS	1¼	9.00	9.00	5.25	3.88	0.75	0.25	2.50	2.375	3.12	4
	DN	32	228.6	228.6	133.4	98.55	19.1	6.35	63.5	60.33	79.3	4
-08	NPS	1½	9.50	9.50	6.12	4.50	0.88	0.25	2.88	2.688	3.56	4
	DN	40	241.3	241.3	155.5	114.30	22.4	6.35	73.2	68.28	90.4	4
-09	NPS	2	11.50	11.62	6.50	5.00	0.75	0.25	3.62	3.250	4.25	8
	DN	50	292.1	295.2	165.1	127.00	19.1	6.35	92.0	82.55	108.0	8
-10	NPS	2½	13.00	13.12	7.50	5.88	0.88	0.25	4.12	4.000	5.00	8
	DN	65	330.2	333.3	190.5	149.35	22.4	6.35	104.7	101.60	127.0	8
-11	NPS	3	14.00	14.12	8.25	6.62	0.88	0.25	5.00	4.875	5.75	8
	DN	80	355.6	358.7	209.6	168.15	22.4	6.35	127.0	123.83	146.1	8
-13	NPS	4	17.00	17.12	10.75	8.50	1.00	0.25	6.19	5.875	6.88	8
	DN	100	431.8	434.9	273.1	215.90	25.4	6.35	157.2	149.23	174.8	8

CLASS 1500											
A0	A3	B	C	D	E	F	G	H	J		
8.50	8.50	4.75	3.25	0.88	0.25	1.38	1.562	2.38	4		
215.9	215.9	120.7	82.55	22.4	6.35	35.1	39.67	60.5	4		
9.00	9.00	5.12	3.50	0.88	0.25	1.69	1.750	2.62	4		
228.6	228.6	130.1	88.90	22.4	0.06	42.9	44.45	66.6	4		
10.00	10.00	5.88	4.00	1.00	0.25	2.00	2.000	2.81	4		
254.0	254.0	149.4	101.60	25.4	6.35	50.8	50.80	71.4	4		
11.00	11.00	6.25	4.38	1.00	0.25	2.50	2.375	3.19	4		
279.4	279.4	158.8	111.25	25.4	6.35	63.5	60.33	81.0	4		
12.00	12.00	7.00	4.88	1.12	0.25	2.88	2.688	3.62	4		
304.8	304.8	177.8	123.95	28.5	6.35	73.2	68.28	92.0	4		
14.50	14.62	8.50	6.50	1.00	0.25	3.62	3.750	4.88	8		
368.3	371.4	215.9	165.10	25.4	6.35	92.0	95.25	124.0	8		
16.50	16.62	9.62	7.50	1.12	0.25	4.12	4.250	5.38	8		
419.1	422.2	244.4	190.50	28.5	6.35	104.7	107.95	136.7	8		
18.50	18.62	10.50	8.00	1.25	0.25	5.00	5.375	6.62	8		
469.9	473.0	266.7	203.20	31.8	6.35	127.0	136.53	168.2	8		
21.50	21.62	12.25	9.50	1.38	0.25	6.19	6.375	7.62	8		
546.1	549.2	311.2	241.30	35.1	6.35	157.2	161.93	193.6	8		

End Connections

Butt Weld End Valves

Conforms to ASME B16.25

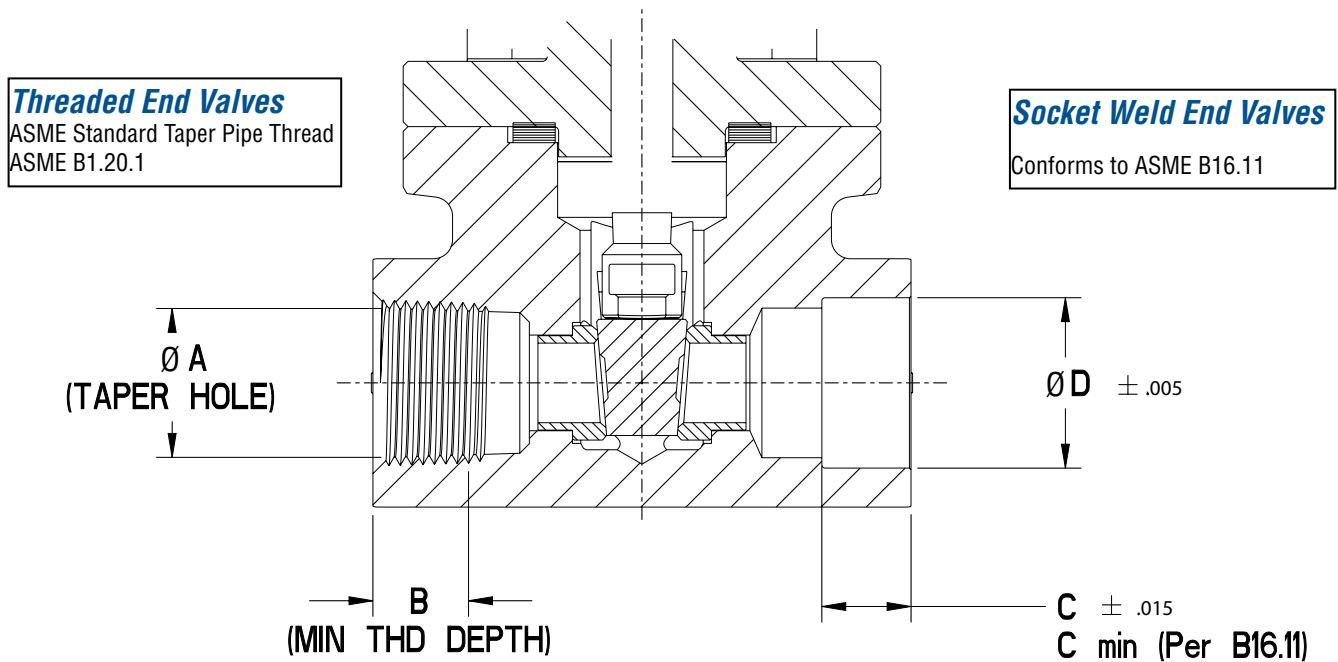


Dimensions

SIZE				SCH 40			SCH 80			SCH 160			SCH XXS		
	A	B	C	D	B	C	D	B	C	D	B	C	D		
-04	NPS ½	0.84	0.622	0.16	0.22	0.546	0.22	0.29	0.466	0.28	0.37	0.252	0.44	0.59	
	DN 15	21.3	15.8	4.2	5.5	13.87	5.6	7.5	11.84	7.1	9.5	6.4	11.2	14.9	
-05	NPS ¾	1.05	0.824	0.17	0.23	0.742	0.23	0.31	0.614	0.33	0.44	0.434	0.46	0.62	
	DN 20	26.7	20.93	4.3	5.7	18.85	5.9	7.8	15.6	8.3	11.1	11.02	11.7	15.7	
-06	NPS 1	1.315	1.049	0.2	0.27	0.957	0.27	0.36	0.815	0.38	0.5	0.599	0.54	0.72	
	DN 25	33.4	26.64	5.1	6.8	24.31	6.8	9.1	20.7	9.5	12.7	15.21	13.6	18.2	
-07	NPS 1¼	1.66	1.38	0.21	0.28	1.278	0.29	0.38	1.16	0.38	0.5	0.896	0.57	0.76	
	DN 32	42.2	35.05	5.3	7.1	32.46	7.3	9.7	29.46	9.5	12.7	22.76	14.6	19.4	
-08	NPS 1½	1.9	1.61	0.22	0.29	1.5	0.3	0.4	1.338	0.42	0.56	1.1	0.6	0.8	
	DN 40	48.3	40.89	5.5	7.4	38.1	7.6	10.2	33.99	10.7	14.3	27.94	15.2	20.3	
-09	NPS 2	2.375	2.067	0.23	0.31	1.939	0.33	0.44	1.689	0.51	0.69	1.503	0.65	0.87	
	DN 50	60.3	52.5	5.9	7.8	49.25	8.3	11.1	42.9	13.1	17.4	38.18	16.6	22.2	
-10	NPS 2½	2.875	2.469	0.3	0.41	2.323	0.41	0.55	2.125	0.56	0.75	1.771	0.83	1.1	
	DN 65	73	62.71	7.7	10.3	59	10.5	14	53.98	14.3	19.1	44.98	21	28	
-11	NPS 3	3.5	3.068	0.32	0.43	2.9	0.45	0.6	2.624	0.66	0.88	2.3	0.9	1.2	
	DN 80	88.9	77.93	8.2	11	73.66	11.4	15.2	66.65	16.7	22.3	58.42	22.9	30.5	
-13	NPS 4	4.5	4.026	0.36	0.47	3.826	0.51	0.67	3.438	0.8	1.06	3.152	1.01	1.35	
	DN 100	114.3	102.26	9	12	97.18	12.8	17.1	87.33	20.2	27	80.06	25.7	34.2	

End Connections

Threaded End Valves



Dimensions

			THREADED			SOCKET WELD		
SIZE			A	B	THD'S/IN	C	C MIN	D
-04	NPS	½	0.725	0.59	14	0.44	0.38	0.860
	DN	15	18.42	15.0		11.2	9.7	21.84
-05	NPS	¾	0.935	0.59	14	0.56	0.50	1.070
	DN	20	23.75	15.0		14.2	12.7	27.18
-06	NPS	1	1.173	0.75	11½	0.56	0.50	1.335
	DN	25	29.79	19.1		14.2	12.7	33.91
-07	NPS	1¼	1.518	0.78	11½	0.56	0.50	1.680
	DN	32	38.56	19.8		14.2	12.7	42.67
-08	NPS	1½	1.756	0.81	11½	0.56	0.50	1.920
	DN	40	44.60	20.6		14.2	12.7	48.77
-09	NPS	2	2.231	0.84	11½	0.69	0.62	2.411
	DN	50	56.67	21.3		17.5	15.8	61.24
-10	NPS	2½	2.666	1.25	8	0.69	0.62	2.911
	DN	65	67.72	31.8		17.5	15.8	73.94
-11	NPS	3	3.293	1.31	8	0.69	0.62	3.540
	DN	80	83.64	33.3		17.5	15.8	89.92

C_v Factors

TYPICAL SERIES NO.	NPS	½	¾	1	1¼	1½	2	2½	3	4
	DN	15	20	25	32	40	50	65	80	100
353, 363, 373, 353R, 12401C, 2801, 2811, 2831, 12111, 12161, 12321, 12401, 12421, 12521, 15111, 15373, 15801, ST15801, 32111, 35111, 42211MTG, 59851, 59951		9.6	9.7	20.3	80.5	91.6	117.6	174.0	203.9	230.0
13111, 13373, 16111, 43111MMP, SW-43211HF2		9.6	28.7	46.5	80.5	109.6	181.0	-	-	-
11103, 11403		9.6	28.7	46.5	80.5	109.6	181.0	242.3	322.7	-
2801B		9.6	9.7	20.3	-	109.6	117.6	-	-	-
CT-2801, ST-2801, TT-2801, CT-2831, ST-2831, TT-2831		6.5	9.0	27.7	-	78.0	-	-	-	-
CT-2901, CT, BT, TT, ST-12111		9.6	9.7	20.3	-	78.0	-	-	-	-
1033, 1043, 11603, 11683		11.8	28.7	32.0	83.2	109.6	181.0	-	-	-
66703, 66713		5.0	17.4	16.1	-	109.6	100.2	-	-	-
473, 483, 493, 801, 851, 2821, 12141, 12181, 12501, 12501C		2.4	4.3	7.3	14.2	20.4	23.1	-	-	-
473B, 483B, 493B, 12141B		2.2	5.7	5.2	-	21.1	20.5	-	-	-
22141CL, 22141F8M, 22141MT, 22493CL, 22493MT, 42241HF2		1.7	3.1	5.9	13.7	18.4	22.5	-	-	-
10103, 10403		3.4	7.3	11.9	15.5	28.2	46.9	-	85.1	-
SW-23141HF4, 43241MMP, 43241MTP		0.7	5.9	13.7	-	21.0	34.0	-	-	-
13141		3.0	6.8	14.5	17.2	24.4	37.6	-	-	-
CT-12141, ST-12141, TT-12141		2.4	4.3	7.3	-	20.4	-	-	-	-
12443		1.46	2.38	4.54	-	9.65	14.6	-	-	-
1971		2.6	4.5	11.9	21.0	31.4	52.0	-	-	-
22461		0.68	0.99	1.5	-	-	-	-	-	-
15141, 15493, 15821 SCH 160		3.1	3.3	5.9	-	13.8	21.4	-	-	-
1003, 1023, 10603, 10683		3.6	6.0	10.2	15.1	24.2	39.8	-	-	-
15443		1.46	2.38	4.54	-	11.5	13.0	-	-	-
1510, 1511, 1522 SCH 160		6.0	4.0	9.3	-	57.8	48.9	-	-	-
66723, 66733, 66793 SCH XXH		1.2	4.3	5.8	-	17.6	19.3	-	-	-
2510, 2511, 2522 SCH XXH		6.0	8.9	9.3	-	32.9	49.4	-	-	-
1331T, 1871T		2.9	3.8	8.1	15.3	18.4	25.5	-	-	-
2891T, 9841T		2.6	4.5	11.9	19.0	25.0	49.0	-	-	-
9821T, 9871T, 58431T		1.8	3.5	5.8	7.6	11.7	17.7	-	-	-
573, 583, 593, 701, 701ZL, B701, 718, B718, 32701, 82718		2.1	3.2	5.8	13.3	18.3	25.3	-	-	-
9091, B9091		3.6	6.7	11.8	20.2	26.1	43.3	-	-	-
SWB-43721HF2		0.7	5.9	11.8	-	22.6	32.6	-	-	-
4835		3.3	4.4	17.0	28.2	43.0	63.0	-	-	-
13701		3.2	6.9	16.0	18.3	25.5	36.9	-	-	-
54853, 54863		8.7	15.1	30.5	29.1	37.7	45.3	-	-	-
S74, S701		9.2	6.8	22.0	-	54.6	81.9	-	-	-
15593, 15701, B15701		3.2	3.3	6.3	13.3	11.0	19.6	-	-	-
1551, B1551		2.1	4.1	7.3	10.5	17.6	23.3	-	-	-
810, 811, 822		4.5	9.1	21.3	-	70.0	79.1	-	-	-

SCH 40 used for testing except as noted

Flow Data Utilizing Cv Factors

FORMULAS		
TYPE FLOW	FLOW RATE	PRESSURE DROP
LIQUID	$Q = C_v \sqrt{\frac{\Delta P}{S}}$	$\Delta P = S \left(\frac{Q}{C_v}\right)^2$
GAS WHEN $\Delta P < .5P_1$	$q'_m = 22.6 C_v \sqrt{\frac{\Delta P \times P_1}{T_1 S_g}}$	$\Delta P = \frac{.00195 T_1 S_g}{P_1} \left(\frac{q'_m}{C_v}\right)^2$
WHEN $\Delta P \geq .5P_1$	$q'_m = \frac{13.9 P_1 C_v}{\sqrt{S_g T_1}}$	
DRY SATURATED STEAM		
WHEN $\Delta P < .5P_1$	$W = 2.97 C_v \sqrt{\Delta P \times P_1}$	$\Delta P = \frac{.113}{P_1} \left(\frac{W}{C_v}\right)^2$
WHEN $\Delta P \geq .5P_1$	$W = 1.82 C_v P_1$	
SUPERHEATED STEAM		
WHEN $\Delta P < .5P_1$	$W = \frac{2.97 C_v \sqrt{\Delta P \times P_1}}{(1 = .0007s)}$	$\Delta P = \frac{.113}{P_1} \left(\frac{W(1 + .0007s)}{C_v}\right)^2$
WHEN $\Delta P \geq .5P_1$	$W = \frac{1.82 C_v P_1}{(1 = .0007s)}$	

Fluid Flow Nomenclature

- Cv**= Flow coefficient for valves and fittings.
P₁= Absolute inlet pressure.
ΔP= Pressure drop in pounds per square inch. (PSI)
Q= Liquid flow in gallons per minute. (GPM)
q'_m= Rate of gas flow in cubic feet per minute at standard conditions, 14.7 psia and 60°F. (SCFM)
S= Specific gravity of flowing liquid relative to water at 60°F.
S_g= Specific gravity of gas relative to air.
s= Number of degrees of superheat for steam in °F.
T₁= Absolute inlet temperature in degrees Rankine °R.
W= Steam or vapor flow rate in pounds per hour. (LBS./HR.)

Flow Data Utilizing Cv Factors (Metric Version)

FORMULAS		
TYPE FLOW	FLOW RATE	PRESSURE DROP
LIQUID	$Q = .865 C_v \sqrt{\frac{\Delta P}{S}}$	$\Delta P = 1.34S \left(\frac{Q}{C_v}\right)^2$
GAS WHEN $\Delta P < .5P_1$	$q'_H = 414.97 C_v \sqrt{\frac{\Delta P \times P_1}{T_1 S_g}}$	$\Delta P = \frac{5.81 \times 10^{-6} T_1 S_g}{P_1} \left(\frac{q'_m}{C_v}\right)^2$
WHEN $\Delta P \geq .5P_1$	$q'_H = \frac{255.2 P_1 C_v}{\sqrt{S_g T_1}}$	
DRY SATURATED STEAM		
WHEN $\Delta P < .5P_1$	$W = 19.53 C_v \sqrt{\Delta P \times P_1}$	$\Delta P = \frac{.00262}{P_1} \left(\frac{W}{C_v}\right)^2$
WHEN $\Delta P \geq .5P_1$	$W = 11.97 C_v P_1$	
SUPERHEATED STEAM		
WHEN $\Delta P < .5P_1$	$W = \frac{19.1 C_v \sqrt{\Delta P \times P_1}}{(1 = 0.00123s)}$	$\Delta P = \frac{0.00274}{P_1} \left(\frac{W(1 + 0.00123s)}{C_v}\right)^2$
WHEN $\Delta P \geq .5P_1$	$W = \frac{11.71 C_v P_1}{(1 = 0.00123s)}$	

Fluid Flow Nomenclature

- Cv**= Flow coefficient for valves and fittings.
P₁= Absolute inlet pressure. (BAR)
ΔP= Pressure drop in bars.
Q= Liquid flow in cubic meters per hour
q'_m= Rate of gas flow in cubic meters per minute at standard conditions, 1.01 BAR @ 15.6 °C
S= Specific gravity of flowing liquid relative to water at 16°C.
S_g= Specific gravity of gas relative to air.
s= Number of degrees of superheat for steam in °C.
T₁= Absolute inlet temperature in degrees Kelvin (°K).
W= Steam or vapor flow rate in kilograms per hour. (KGS./HR.)

MATERIALS COMPATIBILITY CHART

	A105, A182, F5, F9, F11, F22	A182, F316	13 CR	TYPE 316	Monel	Hastelloy	Teflon	Viton	Neoprene	Ethylene Propylene	Buna N	Flexible Graphite Packing
1- Acceptable for Use												
0 - Not Acceptable for Use												
Chemical												
Ethylene Dichloride	1	1		1	1					1		
Ethylene Glycol	1	1	1	1	1	1	1	1	1	1	1	1
Ethylene Oxide	1	1	1	1	1	1	1		0	0	0	1
Fatty Acids	0	1	1	1	1	1	1					1
Ferric Chloride	0	0	0	0	0	0	1		1	1	1	1
Ferric Hydroxide						1	0					
Ferric Nitrate	0	1	0	1	0	0	1		1	1	1	
Ferric Sulfate	0	1		1	0	0	1		1	1	1	
Ferrous Ammonium Citrate						1						
Ferrous Chloride solution	0	0	0	0	0	1	1		1	1	1	1
Ferrous Sulfate 10%	0	1		1	1	1	1		1	1	1	1
Filter Aid						1			1			
Fish Oil	1	1		1	1		1				1	
Flue Gases	1	1		1	1	1	1					
Fluoboric Acid		1		1	1		1		1		1	
Fluorine (dry)	1	1	1	1	1	1	0					1
Fluosilicic Acid	0	1		1	1	1	1		1			
Formaldehyde cold	1	1		1	1	1	1		1			1
Formalin		1		1								
Formic Acid	0	1		1	1	1	1		1			1
Freon (dry)	1	1		1	1	1	1		1			1
Freon (wet)	0	1	1	1	1	1	1		1			1
Fruit Juices	0	1	0	1	1	1	1		1	1	1	
Fuel Oil	1	1	1	1	1	1	1		0	1	1	
Fumeric Acid			1				1		1		1	
Furfural	1	1	1	1	1	1	1		1	0	1	
Gallic Acid 5%	0	1	1	1	1	1	1		1	1	1	
Gasoline (antioxidant)						1			0			
Gasoline (refined)	1	1	1	1	1	1	1		0	1	1	
Gasoline (sour)	1	1		1	0	1	1	1		0	1	1
Gelatin	1	1		1	1		1		1	1	1	1
Ginger Ale	0	1		1								
Glauber's Salt		1		1	1				1			
Glucose	1	1	1	1	1		1	1	1	1	1	1
Glue (most)	1	1	1	1	1	1		1	1	1	1	1
Glutamic Acid		1		1		1						
Glycerine	1	1	1	1	1	1	1	1	1	1	1	1
Glycerol	1	1	1	1	1	1	1	1	1	1	1	1
Grease (edible)	1	1		1	1		1		0	1		
Green Sulfate Liquor		1	1	1	1				1			
Gypsum		1		1								
Hagan Solution						1						
Heptane (liquified)		1	1	1	1		1		1	0		
Hexamine		1		1		1						
Hexane	1	1		1	1	1	1					1
Hydobic Acid	0	0	0		0	1	1		1			1
Hydrofluoric Acid (5%)	1	0	0	0	1	1	1		1	0	1	
Hydrofluoric Acid (50%)	0	0	0	0	0	1	1		1	0	1	
Hydrofluoric Acid (60%)	0	0	0	0	1	1	1		1	0	1	
Hydraulic Oil	1	1		1	1	1	1		0	1		
Hydrazine Hydrate		1		1	1							
Hydrocarbons (alkylated)						1	1		1		1	
Hydrocarbons (chlorinated)						1	1	0		1		

API 602 Trim Number Versus Vogt Trim Description

API TRIM No.	API NOMINAL TRIM DESC.	TRIM DESC.	SERIES SUFFIX	TYPICAL IN VALVE SERIES	NOTES
1	13 Cr (No Hardfacing)	Trim: 13% Cr	None (Standard)	22461 22141	(1) Offer Trim 8.
2	304 (No Hardfacing)	None	None	None	(2) Offer 316/316L Trim
3	310 (No Hardfacing)	None	None	None	
4	Hard F6 (No Hardfacing)	None	None	None	Offer 1/2 or FHF
5 5A	Hardfaced (13 Cr Stem)	Trim 13% Cr Wedge/Seats: HF	FHF	12111FHF	(3) 5=Stellite 5A=NiCr Hardfacing
		Trim 13% Cr Disc/Seat: HF	FHF None (If Standard)	12141FHF 1510 (4) 2510	
6	F6 and CuNi (13 Cr and Monel Overlay)	None	None	None	(5) Offer MM Trim
7	F6 and Hard F6 (13 Cr Stem)	None	None	None	Offer FHF Trim
8 8A	F6 and Hardfaced	Trim 13% Cr Seat: HF	None	12111	(6) 1/2 HF
		Trim 13% Cr Seat: HF	None	12141	
		Trim 13% Cr Seat: HF	HF	10403HF	
9	Monel	Trim: Monel	MM	12111MM	
10	316	Trim: 316	None	12501 718	
11	Monel & Hardfaced (Monel Trim 1/2 HF)	Trim: Monel Seat: HF	MM	12141MM 701MM	
12	316 & Hardfaced (1/2 HF 316)	Trim: 316 Seat: HF	F8M	12111F8M 12401	
		Trim: 316 Seat: HF	F8M	12141F8M 12501F8M	
13	Alloy 20	None	None	None	
14	Alloy 20 & Hardfaced (1/2 HF Alloy)	None	None	None	
15	Hardfaced (304 FHF Trim)	None	None	None	(7)
16	Hardfaced (316 FHF Trim)	Trim: 316 Wedge/Seat: HF	F8H	12111F8H 12401FHF	
		Trim: 316 Disc/Seat: HF	FHF	12501FHF	
17	Hardfaced (347 FHF Trim)	None	None	None	
18	Hardfaced (Alloy 20 FHF)	None	None	None	

1) Other Vogt Valves with Cr trim and no HF seating meet the API 602 Trim 1 except for minimum hardness. API Trim 8 can be substituted for Trim 1 under API 602 Table 12 alternative trim rules.

2) API Trim 10 can be substituted for Trim 2 under API 602 Table 12 alternative trim rules.

3) Trim 5 requires Satellite (cobalt based) alloys. Trim 5A allows non-cobalt base hard facing alloys.

4) Many Vogt valves are supplied as standard with FHF trim but do not carry the FHF designator with the Series No. Typical of these as these Series 1510, 1610, 2510 and 2610. Most Class 1500 and higher F11 and F22 valves have FHF trims but are carried by the series designator.

5) API 602 Trim 8 can be substituted for Trim 6 under API 602 Table 12 alternative trim rules.

6) Most Vogt carbon and alloy steel gate and globe and 316/316L stainless steel gate valves have 1/2 HF seating surfaces. Such valves do not necessarily carry "HF" designator in their Series Suffix Number.

7) API Trim 16 can be substituted for Trim 15 under API 602 Table 12 alternative trim rules.

Cross-Reference of ASTM Material Specifications

Covering Cast and Forged Valves

MATERIAL	FORGINGS	CASTINGS	WROUGHT FITTINGS
Carbon Steel Cold Temperature Service	A105 A350-LF2	A216-WCB A352-LCC	A234-WPB A420-WPL6
Carbon-1/2 Moly Alloy Steel Cold Temperature Service	A182-F1	A217-WC1 A352-LC1	A234-WP1
3-1/2 Nickel Alloy Steel Low Temperature Service	A350-LF3	A352-LC3	A420-WPL3
1/2 Cr-1/2 Mo Alloy Steel 1/2 Cr-1/2 Mo-1 Ni Alloy Steel 3/4 Cr-1 Mo-3/4 Ni Alloy Steel 1 Cr-1/2 Mo Alloy Steel	A182-F2 A182-F12 CL2	 A217-WC4 A217-WC5	 A234-WP12 CL2
1-1/4 Cr-1/2 Mo Alloy Steel 2-1/4 Cr-1 Mo Alloy Steel 5 Cr-1/2 Mo Alloy Steel 5 Cr-1/2 Mo Alloy Steel 9 Cr-1 Mo Alloy Steel 13 Cr Alloy Steel	A182-F11 CL2 A182-F22 CL3 A182-F5 A182-F5a A182-F9 A182-F6	A217-WC6 A217-WC9 A217-C5 A217-C12 A743-CA15	A234-WP11 CL2 A234-WP22 CL3 A234-WP5 A234-WP9
Type 304 Stainless Steel (18 Cr-8 Ni) Standard Low Carbon High Temperature Service	A182-F304 A182-F304L A182-F304H	A351-CF8 A351-CF3 A351 CF10	A403-WP304 A403-WP304L A403-WP304H
Type 310 Stainless Steel (25 Cr-20 Ni) Type 316 Stainless Steel (16 Cr-12 Ni-2 Mo) Standard Low Carbon High Temperature Service	A182-F310H A182-F316 A182-F316L A182-F316H	A351-CK20 A351-CF8M A351-CF3M A351-CF10M	A403-WP310 A403-WP316 A403-WP316L A403-WP316H
Type 317 Stainless Steel (18 Cr-13 Ni-3 Mo) Type 321 Stainless Steel (18 Cr-10 Ni-Ti) Standard High Temperature Service	A182 - F317 A182-F321 A182-F321H	A351 - CG8M	A403-WP317 A403-WP321 A403-WP321H
Type 347 Stainless Steel (18 Cr-10 Ni-Cb) Standard High Temperature Service	A182-F347 A182-F347H	A351-CF8C	A403-WP347 A403-WP347H
Type 348 Stainless Steel (18 Cr-10 Ni-Cb) Standard High Temperature Service	A182-F348 A182-F348H		A403-WP348 A403-WP348H

Forging Materials

<p>ASTM A105 Carbon Steel (0.24 Carbon max.) Where temperatures are moderate and corrosion resistance is not critical</p> <table border="0"> <tr> <td>C</td><td>0.18 - 0.24</td><td>TS Min. psi(Mpa): 70,000(485)</td></tr> <tr> <td>Mn</td><td>1.00 - 1.35</td><td>YS Min. psi(Mpa): 36,000(250)</td></tr> <tr> <td>Si</td><td>0.15 - 0.30</td><td>EL (2" Min.): 22%</td></tr> <tr> <td>P</td><td>0.030 Max.</td><td>RA Min.: 30%</td></tr> <tr> <td>S</td><td>0.015 - 0.040</td><td>Hardness, Bhn: Max. 187</td></tr> <tr> <td>Cr</td><td>0.20</td><td></td></tr> <tr> <td>Ni</td><td>0.20</td><td></td></tr> <tr> <td>Mo</td><td>0.06</td><td></td></tr> <tr> <td>V</td><td>0.02</td><td></td></tr> <tr> <td>Cb</td><td>0.02</td><td></td></tr> <tr> <td>Cu</td><td>0.20</td><td></td></tr> </table> <p>Total Residuals = 0.50</p>	C	0.18 - 0.24	TS Min. psi(Mpa): 70,000(485)	Mn	1.00 - 1.35	YS Min. psi(Mpa): 36,000(250)	Si	0.15 - 0.30	EL (2" Min.): 22%	P	0.030 Max.	RA Min.: 30%	S	0.015 - 0.040	Hardness, Bhn: Max. 187	Cr	0.20		Ni	0.20		Mo	0.06		V	0.02		Cb	0.02		Cu	0.20		<p>ASTM A182, Grade F9 - 9Cr - 1Mo For services where the higher chrome alloys are preferred and where high temperature stability and oxidation resistance of the lower alloy steels are inadequate.</p> <table border="0"> <tr> <td>C</td><td>0.15 Max.</td><td>TS Min. psi(Mpa): 85,000(585)</td></tr> <tr> <td>Mn</td><td>0.30 - 0.60</td><td>YS Min. psi(Mpa): 55,000(380)</td></tr> <tr> <td>P</td><td>0.030 Max.</td><td>EL (2" Min.): 20%</td></tr> <tr> <td>S</td><td>0.030 Max.</td><td>RA Min.: 40%</td></tr> <tr> <td>Si</td><td>0.50 - 1.00</td><td>Hardness, Bhn: 179 - 217</td></tr> <tr> <td>Cr</td><td>8.00 - 10.00</td><td></td></tr> <tr> <td>Mo</td><td>0.90 - 1.10</td><td></td></tr> </table>	C	0.15 Max.	TS Min. psi(Mpa): 85,000(585)	Mn	0.30 - 0.60	YS Min. psi(Mpa): 55,000(380)	P	0.030 Max.	EL (2" Min.): 20%	S	0.030 Max.	RA Min.: 40%	Si	0.50 - 1.00	Hardness, Bhn: 179 - 217	Cr	8.00 - 10.00		Mo	0.90 - 1.10										
C	0.18 - 0.24	TS Min. psi(Mpa): 70,000(485)																																																														
Mn	1.00 - 1.35	YS Min. psi(Mpa): 36,000(250)																																																														
Si	0.15 - 0.30	EL (2" Min.): 22%																																																														
P	0.030 Max.	RA Min.: 30%																																																														
S	0.015 - 0.040	Hardness, Bhn: Max. 187																																																														
Cr	0.20																																																															
Ni	0.20																																																															
Mo	0.06																																																															
V	0.02																																																															
Cb	0.02																																																															
Cu	0.20																																																															
C	0.15 Max.	TS Min. psi(Mpa): 85,000(585)																																																														
Mn	0.30 - 0.60	YS Min. psi(Mpa): 55,000(380)																																																														
P	0.030 Max.	EL (2" Min.): 20%																																																														
S	0.030 Max.	RA Min.: 40%																																																														
Si	0.50 - 1.00	Hardness, Bhn: 179 - 217																																																														
Cr	8.00 - 10.00																																																															
Mo	0.90 - 1.10																																																															
<p>ASTM A350, LF2 (0.24 Carbon max.) Where cold temperature (-50°F) impact strength is essential.</p> <table border="0"> <tr> <td>C</td><td>0.18 - 0.24</td><td>TS Min. psi(Mpa): 70,000(485)</td></tr> <tr> <td>Mn</td><td>1.00 - 1.35</td><td>YS Min. psi(Mpa): 36,000(250)</td></tr> <tr> <td>Si</td><td>0.15 - 0.30</td><td>EL (2" Min.): 22%</td></tr> <tr> <td>P</td><td>0.030 Max.</td><td>RA Min.: 30%</td></tr> <tr> <td>S</td><td>0.015 - 0.040</td><td>Hardness, Bhn: Max. 197</td></tr> <tr> <td>Cr</td><td>0.20</td><td>-50F Charpy: Min. Impact</td></tr> <tr> <td>Ni</td><td>0.20</td><td>Energy (Ft/Lb): (J)</td></tr> <tr> <td>Mo</td><td>0.06</td><td>Average of Each</td></tr> <tr> <td>V</td><td>0.02</td><td>Set of 3 Specimen: 15(20)</td></tr> <tr> <td>Cb</td><td>0.02</td><td>For One Specimen: 12(15)</td></tr> <tr> <td>Cu</td><td>0.20</td><td></td></tr> </table> <p>Total Residuals = 0.50</p>	C	0.18 - 0.24	TS Min. psi(Mpa): 70,000(485)	Mn	1.00 - 1.35	YS Min. psi(Mpa): 36,000(250)	Si	0.15 - 0.30	EL (2" Min.): 22%	P	0.030 Max.	RA Min.: 30%	S	0.015 - 0.040	Hardness, Bhn: Max. 197	Cr	0.20	-50F Charpy: Min. Impact	Ni	0.20	Energy (Ft/Lb): (J)	Mo	0.06	Average of Each	V	0.02	Set of 3 Specimen: 15(20)	Cb	0.02	For One Specimen: 12(15)	Cu	0.20		<p>ASTM A182, Grade F91 - 9Cr - 1Mo - V For high temperature Boiler applications requiring high strength alloys.</p> <table border="0"> <tr> <td>C</td><td>0.08 - 0.12</td><td>TS Min. psi(Mpa): 85,000(585)</td></tr> <tr> <td>Mn</td><td>0.30 - 0.60</td><td>YS Min. psi(Mpa): 60,000(415)</td></tr> <tr> <td>P</td><td>0.020 Max.</td><td>EL (2" Min.): 20%</td></tr> <tr> <td>S</td><td>0.010 Max.</td><td>RA Min.: 40%</td></tr> <tr> <td>Si</td><td>0.20 - 0.50</td><td>Hardness, Bhn: Max 248</td></tr> <tr> <td>Cr</td><td>8.00 - 9.50</td><td></td></tr> <tr> <td>Mo</td><td>0.85 - 1.05</td><td></td></tr> <tr> <td>Cb</td><td>0.06 - 0.10</td><td></td></tr> <tr> <td>Ni</td><td>0.40 Max</td><td></td></tr> <tr> <td>V</td><td>0.18 - 0.25</td><td></td></tr> </table>	C	0.08 - 0.12	TS Min. psi(Mpa): 85,000(585)	Mn	0.30 - 0.60	YS Min. psi(Mpa): 60,000(415)	P	0.020 Max.	EL (2" Min.): 20%	S	0.010 Max.	RA Min.: 40%	Si	0.20 - 0.50	Hardness, Bhn: Max 248	Cr	8.00 - 9.50		Mo	0.85 - 1.05		Cb	0.06 - 0.10		Ni	0.40 Max		V	0.18 - 0.25	
C	0.18 - 0.24	TS Min. psi(Mpa): 70,000(485)																																																														
Mn	1.00 - 1.35	YS Min. psi(Mpa): 36,000(250)																																																														
Si	0.15 - 0.30	EL (2" Min.): 22%																																																														
P	0.030 Max.	RA Min.: 30%																																																														
S	0.015 - 0.040	Hardness, Bhn: Max. 197																																																														
Cr	0.20	-50F Charpy: Min. Impact																																																														
Ni	0.20	Energy (Ft/Lb): (J)																																																														
Mo	0.06	Average of Each																																																														
V	0.02	Set of 3 Specimen: 15(20)																																																														
Cb	0.02	For One Specimen: 12(15)																																																														
Cu	0.20																																																															
C	0.08 - 0.12	TS Min. psi(Mpa): 85,000(585)																																																														
Mn	0.30 - 0.60	YS Min. psi(Mpa): 60,000(415)																																																														
P	0.020 Max.	EL (2" Min.): 20%																																																														
S	0.010 Max.	RA Min.: 40%																																																														
Si	0.20 - 0.50	Hardness, Bhn: Max 248																																																														
Cr	8.00 - 9.50																																																															
Mo	0.85 - 1.05																																																															
Cb	0.06 - 0.10																																																															
Ni	0.40 Max																																																															
V	0.18 - 0.25																																																															
<p>ASTM A182, Grade F11, Class 2 (0.15 Carbon max.) 1-1/4Cr - 1/2Mo To minimize graphitization encountered with carbon and carbon moly steels at high temperatures</p> <table border="0"> <tr> <td>C</td><td>0.10 - 0.15</td><td>TS Min. psi(Mpa): 70,000(485)</td></tr> <tr> <td>Mn</td><td>0.30 - 0.80</td><td>YS Min. psi(Mpa): 40,000(275)</td></tr> <tr> <td>P</td><td>0.040 Max.</td><td>EL (2" Min.): 20%</td></tr> <tr> <td>S</td><td>0.015 - 0.035</td><td>RA Min.: 30%</td></tr> <tr> <td>Si</td><td>0.50 - 1.00</td><td>Hardness, Bhn: 143 - 207</td></tr> <tr> <td>Cr</td><td>1.00 - 1.50</td><td></td></tr> <tr> <td>Mo</td><td>0.44 - 0.65</td><td></td></tr> </table>	C	0.10 - 0.15	TS Min. psi(Mpa): 70,000(485)	Mn	0.30 - 0.80	YS Min. psi(Mpa): 40,000(275)	P	0.040 Max.	EL (2" Min.): 20%	S	0.015 - 0.035	RA Min.: 30%	Si	0.50 - 1.00	Hardness, Bhn: 143 - 207	Cr	1.00 - 1.50		Mo	0.44 - 0.65		<p>ASTM A182, Grade F316 / F316L - 18Cr - 8Ni - 3Mo For corrosion resistance applications where high temperature strength is required. Has restricted carbon level to minimize sensitization. Do not use for Service temperatures above 1000 °F.</p> <table border="0"> <tr> <td>C</td><td>0.030 Max.</td><td>TS Min. psi(Mpa): 75,000(515)</td></tr> <tr> <td>Mn</td><td>2.00 Max.</td><td>YS Min. psi(Mpa): 30,000(205)</td></tr> <tr> <td>P</td><td>0.040 Max.</td><td>EL (2" Min.): 30%</td></tr> <tr> <td>S</td><td>0.020 - 0.030</td><td>RA Min.: 30%</td></tr> <tr> <td>Si</td><td>1.00 Max.</td><td></td></tr> <tr> <td>Ni</td><td>10.00 - 14.00</td><td></td></tr> <tr> <td>Cr</td><td>16.00 - 18.00</td><td></td></tr> <tr> <td>Mo</td><td>2.00 - 3.00</td><td></td></tr> </table>	C	0.030 Max.	TS Min. psi(Mpa): 75,000(515)	Mn	2.00 Max.	YS Min. psi(Mpa): 30,000(205)	P	0.040 Max.	EL (2" Min.): 30%	S	0.020 - 0.030	RA Min.: 30%	Si	1.00 Max.		Ni	10.00 - 14.00		Cr	16.00 - 18.00		Mo	2.00 - 3.00																			
C	0.10 - 0.15	TS Min. psi(Mpa): 70,000(485)																																																														
Mn	0.30 - 0.80	YS Min. psi(Mpa): 40,000(275)																																																														
P	0.040 Max.	EL (2" Min.): 20%																																																														
S	0.015 - 0.035	RA Min.: 30%																																																														
Si	0.50 - 1.00	Hardness, Bhn: 143 - 207																																																														
Cr	1.00 - 1.50																																																															
Mo	0.44 - 0.65																																																															
C	0.030 Max.	TS Min. psi(Mpa): 75,000(515)																																																														
Mn	2.00 Max.	YS Min. psi(Mpa): 30,000(205)																																																														
P	0.040 Max.	EL (2" Min.): 30%																																																														
S	0.020 - 0.030	RA Min.: 30%																																																														
Si	1.00 Max.																																																															
Ni	10.00 - 14.00																																																															
Cr	16.00 - 18.00																																																															
Mo	2.00 - 3.00																																																															
<p>ASTM A182, Grade F22, Class 3 (0.15 Carbon max.) 2-1/4Cr - 1/2Mo Where elevated temperature, surface stability and greater strength than F11 are needed</p> <table border="0"> <tr> <td>C</td><td>0.15 Max.</td><td>TS Min. psi(Mpa): 75,000(515)</td></tr> <tr> <td>Mn</td><td>0.30 - 0.60</td><td>YS Min. psi(Mpa): 40,000(275)</td></tr> <tr> <td>P</td><td>0.040 Max.</td><td>EL (2" Min.): 20%</td></tr> <tr> <td>S</td><td>0.015 - 0.035</td><td>RA Min.: 30%</td></tr> <tr> <td>Si</td><td>0.50 Max.</td><td>Hardness, Bhn: 156 - 207</td></tr> <tr> <td>Cr</td><td>2.00 - 2.50</td><td></td></tr> <tr> <td>Mo</td><td>0.87 - 1.13</td><td></td></tr> </table>	C	0.15 Max.	TS Min. psi(Mpa): 75,000(515)	Mn	0.30 - 0.60	YS Min. psi(Mpa): 40,000(275)	P	0.040 Max.	EL (2" Min.): 20%	S	0.015 - 0.035	RA Min.: 30%	Si	0.50 Max.	Hardness, Bhn: 156 - 207	Cr	2.00 - 2.50		Mo	0.87 - 1.13		<p>ASTM A182, Grade F316H - 18Cr - 8Ni - 3Mo For corrosion resistance applications where extreme temperature strength is expected. Has restricted carbon range for high temperature strength above 1000 °F.</p> <table border="0"> <tr> <td>C</td><td>0.04 - 0.10</td><td>TS Min. psi(Mpa): 75,000(515)</td></tr> <tr> <td>Mn</td><td>2.00 Max.</td><td>YS Min. psi(Mpa): 30,000(205)</td></tr> <tr> <td>P</td><td>0.040 Max.</td><td>EL (2" Min.): 30%</td></tr> <tr> <td>S</td><td>0.020 - 0.030</td><td>RA Min.: 30%</td></tr> <tr> <td>Si</td><td>1.00 Max.</td><td></td></tr> <tr> <td>Ni</td><td>10.00 - 14.00</td><td></td></tr> <tr> <td>Cr</td><td>16.00 - 18.00</td><td></td></tr> <tr> <td>Mo</td><td>2.00 - 3.00</td><td></td></tr> </table>	C	0.04 - 0.10	TS Min. psi(Mpa): 75,000(515)	Mn	2.00 Max.	YS Min. psi(Mpa): 30,000(205)	P	0.040 Max.	EL (2" Min.): 30%	S	0.020 - 0.030	RA Min.: 30%	Si	1.00 Max.		Ni	10.00 - 14.00		Cr	16.00 - 18.00		Mo	2.00 - 3.00																			
C	0.15 Max.	TS Min. psi(Mpa): 75,000(515)																																																														
Mn	0.30 - 0.60	YS Min. psi(Mpa): 40,000(275)																																																														
P	0.040 Max.	EL (2" Min.): 20%																																																														
S	0.015 - 0.035	RA Min.: 30%																																																														
Si	0.50 Max.	Hardness, Bhn: 156 - 207																																																														
Cr	2.00 - 2.50																																																															
Mo	0.87 - 1.13																																																															
C	0.04 - 0.10	TS Min. psi(Mpa): 75,000(515)																																																														
Mn	2.00 Max.	YS Min. psi(Mpa): 30,000(205)																																																														
P	0.040 Max.	EL (2" Min.): 30%																																																														
S	0.020 - 0.030	RA Min.: 30%																																																														
Si	1.00 Max.																																																															
Ni	10.00 - 14.00																																																															
Cr	16.00 - 18.00																																																															
Mo	2.00 - 3.00																																																															
<p>ASTM A182, Grade F5 - 5Cr - 1/2Mo With moderately corrosive fluids and in oil refineries where high temperature stability and oxidation resistance of the lower alloy steels are inadequate.</p> <table border="0"> <tr> <td>C</td><td>0.15 Max.</td><td>TS Min. psi(Mpa): 70,000(485)</td></tr> <tr> <td>Mn</td><td>0.30 - 0.60</td><td>YS Min. psi(Mpa): 40,000(275)</td></tr> <tr> <td>P</td><td>0.030 Max.</td><td>EL (2" Min.): 20%</td></tr> <tr> <td>S</td><td>0.015 - 0.035</td><td>RA Min.: 35%</td></tr> <tr> <td>Si</td><td>0.50 Max.</td><td>Hardness, Bhn: 143 - 217</td></tr> <tr> <td>Ni</td><td>0.50 Max.</td><td></td></tr> <tr> <td>Cr</td><td>4.00 - 6.00</td><td></td></tr> <tr> <td>Mo</td><td>0.44 - 0.65</td><td></td></tr> </table>	C	0.15 Max.	TS Min. psi(Mpa): 70,000(485)	Mn	0.30 - 0.60	YS Min. psi(Mpa): 40,000(275)	P	0.030 Max.	EL (2" Min.): 20%	S	0.015 - 0.035	RA Min.: 35%	Si	0.50 Max.	Hardness, Bhn: 143 - 217	Ni	0.50 Max.		Cr	4.00 - 6.00		Mo	0.44 - 0.65																																									
C	0.15 Max.	TS Min. psi(Mpa): 70,000(485)																																																														
Mn	0.30 - 0.60	YS Min. psi(Mpa): 40,000(275)																																																														
P	0.030 Max.	EL (2" Min.): 20%																																																														
S	0.015 - 0.035	RA Min.: 35%																																																														
Si	0.50 Max.	Hardness, Bhn: 143 - 217																																																														
Ni	0.50 Max.																																																															
Cr	4.00 - 6.00																																																															
Mo	0.44 - 0.65																																																															

Valve Trim Materials

Description and General Use

13% Chromium

Stainless Steel
Type 410

This stainless steel material lends itself to hardening by heat treatment and is excellent for contacting parts such as stems, gates and discs.

13% Chromium

Stainless Steel
Type 416

High-quality stainless steel yoke nut material having excellent anti-galling characteristics for better operating threads.

18% Chromium

8% Nickel
2% Molybdenum
Stainless Steel
Type 316
Type 316L

Provides excellent resistance to corrosive media at high temperatures and toughness for service at low temperatures.

18% Chromium

Stainless Steel
Type 440 C

Used for hardened balls in ball check valves.

Nickel-Copper

Monel
Alloy K500

This wrought material is precipitation hardened and possesses excellent corrosion resistance, high-strength properties and hardness for internal valve components.

Monel

Alloy 400

Non-hardened alloy, except by work hardened, that has high strength and toughness over a wide temperature range. Has excellent corrosion resistance in chlorine and alkyation service.

Alloy 20

Alloy 20 is corrosion resistant to hot sulfuric acids when compared to austenitic stainless steels such as such as 316 or 317.

Description and General Use

Cobalt Base and Nickel Base

Hard-Facing Materials

Hard-facing materials, when used on seating surfaces of Gate, Globe and Check Valves, give extended service life and trouble-free operation.

Nickel-Moly-Chromium

Hastelloy C-276

A high-nickel alloy with exceptional resistance to corrosive attack by chlorine gas.

Precipitation-Hardened Stainless Steel

Grade 630 17-4 PH

Provides corrosion resistance and high strength for stems in NACE applications.

S-Monel

Grade M-25S

Material used for Monel castings.

ASTM A743, Grade CA-15

Material used for 13 CR castings. The cast equivalent to type 410 stainless steel.

Cast Cobalt

RCoCr-A

Material used for cobalt castings. The cast equivalent to Stellite #6.

Cast 316

Grade CF8M

Material used for 18-8 castings.

Inconel 625

Material is used for its high strength, excellent fabricability (including joining) and outstanding corrosion resistance.

Incoloy 825

Material is a nickel-iron-chromium alloy with additions of molybdenum, copper and titanium. The alloy's chemical composition is designed to provide exceptional resistance to many corrosive environments.

Meeting the Demands of Today

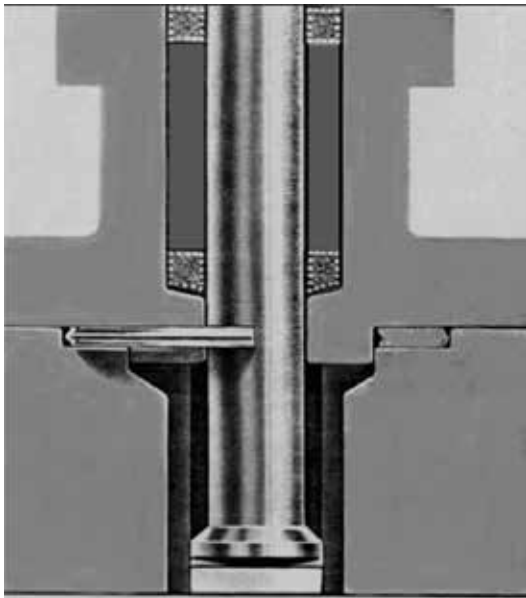
Asbestos-Free Valves

Asbestos-Free Packing
Asbestos-Free Gasket

SAFE – EFFICIENT in retaining high and low temperature media.

ADVANCED TECHNOLOGY PROVIDES:

- Environmental acceptance
- Elimination of media contamination
- Leak-proof integrity
- High thermal conductivity
- Self-lubricating operation
- Shrinkage resistance
- Corrosion-resistant inhibitor
- Less frequent maintenance
- Longer service life



STANDARD PACKING

Vogt standard valves are packed with one of the following asbestos-free packing sets:

FLEXIBLE GRAPHITE PACKING

A 95% by weight minimum carbon packing set that consists of a cylindrical ring of flexible graphite packing supported on the top and bottom and braided graphite filament packing rings. The packing dispersed and embedded active corrosion inhibitor to protect against stem pitting. It may be used in fluids having a pH range of 0-14. The packing has minimal residues as follows:

Leachable Chlorides: 100PPM maximum
Total Chlorides: 500PPM Maximum
Total Sulfur: 1000PPM Maximum
PTFE: None

MOLDED TFE TEFLON-SHAPED PACKING

Vogt valves that have a series number suffixed with the letter "T" are packed with a molded, shaped TFE packing. This virgin TFE material needs no corrosion inhibitor in its composition, and its self-energizing shape ensures superior service and low gland bolting loads in high pressure liquid and dry gas applications. It may also be used in fluids having a pH range of 0-14. Temperature range: -120°F to 500°F (-84° to 260°C).

Since this packing has directional sealing, it can be reoriented for valves used in vacuum and/or combination vacuum/pressure service.

OTHER PACKING

Other packing sets can be placed in Vogt valves at the user's option.

Glossary of Abbreviations and Terms Used in the Valve Industry

AARRH - Arithmetic Average Roughness Height
AISI - American Iron and Steel Institute
API - American Petroleum Institute
ANSI - American National Standards Institute, Inc.
ASME - American Society of Mechanical Engineers
ASTM - American Society for Testing and Materials
AWS - American Welding Society

BB - Bolted Bonnet
BHN - Brinell Hardness Number
Blind Flange - A flange with no flow way bore, used to provide a pressure-tight closure of a flanged opening.
Btu - British Thermal Unit
BWE - Butt Weld Ends

C or Cel - Celsius Degrees
CI - Cast Iron
CI - Chlorine Institute
CR 13 - 13% Chromium Stainless Steel
CRES - Corrosion Resistant Steel
Cv - The number of U.S. gallons per minute of water at 700°F that will flow through a valve at a pressure drop of one psi.
CWP - Cold Working Pressure

DN - Diameter Nominal (Metric)

ELL - Elbow

FAS - Free Alongside Steamer
F or Fahr - Fahrenheit Degrees
F & D - Faced and Drilled
FF - Flat Face
FHF - Full Hard Faced
FLG - Flanged
FOB - Free On Board
FTTG - Fitting

G - Gas
gpm - Gallons per Minute

HF - Hard Faced
HW - Handwheel

IBBM - Iron Body Bronze Mounted
ID - Inside Diameter
INT - Integral
IPS - Iron Pipe Size
ISRS - Inside Screw Rising Stem
ISNRS - Inside Screw Non. Rising Stem

Kg - Kilograms
Km - Kilometers

LH - Left Hand

MAV - Motor Actuated Valve
mm - Millimeter
MOV - See MAV
MSS - Manufacturers Standardization Society of the Valve & Fitting Industry

NACE - National Association of Corrosion Engineers
NPS - National Pipe Size
NPT - National Standard Pipe Thread Taper
NRS - Non Rising Stem

OD - Outside Diameter
One-Piece-Stem - An inseparable Stem and Disc made from one piece of metal.

OS&Y - Outside Screw and Yoke
OWG - Oil, Water & Gas (See CWP)

PN - Pressure Nominal (Metric)
Psi - Pounds per square Inch
Psia - Pounds per square Inch absolute
Psig - Pounds per square Inch gage
P/T - Pressure - Temperature

Rc - Rockwell "C" Hardness
RF - Raised Face
RH - Right Hand
RMS - Root Mean Square Roughness Height
RS - Rising Stem
RTJ - Ring-Type Joint

S - Steam
SAE - Society of Automotive Engineers
SC - Swing Check Valve
Sch. Or Sched. - Schedule (Pipe Wall Thickness)
SCFM - Standard Cubic Feet per Minute
Screw Bonnet - Body and Bonnet threaded together
SE - Screwed Ends
Seal Weld - Threaded Joint Back Welded for Seal
SS - Stainless Steel
Stem Nut - Operating Nut
Stuffing Box - Packing Chamber
STD - Standard Wall Thickness
Stop Check - A Check Valve in which the closure member can be mechanically closed.
SWE - Socket Weld End
SWP - Steam Working Pressure

T - Tee
Thd. - Threaded
TIR - Total Indicator Reading

UB - Union Bonnet

W - Water
Wedge - Gate
WOG - Water, Oil and Gas (See CWP)
WSP - Working Steam Pressure
WWP - Working Water Pressure

XS - Extra Strong Wall Thickness
XXS - Double Extra Strong Wall Thickness

Y - Wye Valve, Fitting or Strainer
Yoke Bushing - Operating Stem Nut
Yoke Nut - Stem Nut

Refer to MSS-SP-96 for additional Abbreviations and Terms used in the Valve and Fitting Industry. (Manufacturers Standardization Society, 127 Park Street N.E., Vienna, VA 22180)

Standards in the Valve Industry

Codes and standards play an important role in the design and production of forged steel valves, fittings and unions. These Codes and standards cover material, product dimensions, design, examination, inspection, testing procedure, pressure/temperature ratings and safety.

Material standards are developed by such organizations as the American Society for Testing and Materials (ASTM), the American Iron and Steel Institute (AISI), the Society of Automotive Engineers (SAE) and the National Association of Corrosion Engineers (NACE).

The American National Standards Institute, Inc. (ANSI) has a membership comprised of both user and producer groups and serves as the national coordinator for the majority of code and product standards related to the Valve and Fittings Industry. Product standards are also developed and issued by individual user and/or manufacturing agencies such as the American Society of Mechanical Engineers (ASME), American Petroleum Institute (API) and the Manufacturers' Standardization Society (MSS).

Procedural and Safety standards are issued by ANSI, MSS and ASME.

Following is a partial list of the codes and standards that have a direct bearing on the design and production of Vogt's forged steel valves, fittings and unions. The codes and standards are interrelated as the following descriptions project:

ASME Boiler & Pressure Vessel Code

- Section I – Power Boilers
- Section II – Material Specifications
- Section III – Nuclear Power Plant Components
- Section V – Non-destructive Examination
- Section VIII – Pressure Vessels
- Section IX – Welding and Brazing Qualifications

The previous codes (Sections I, III and VIII) cover construction requirements for Boilers, Pressure Vessels and Nuclear Components that require Authorized Inspection Agency involvement. Section I and VIII codes relate to the Boiler and Pressure Vessel proper and not to external piping. Section III code includes rules for nuclear components including piping. Section II, V and IX codes cover material, non-destructive examination and welding requirements, respectively, for ASME construction.

ASME Codes for Pressure Piping

- B31.1 – Power Piping
- B31.2 – Fuel Gas Piping
- B31.3 – Process Piping
- B31.4 - Pipeline Transportation Systems for Liquid Hydrocarbon and Other Liquids
- B31.5 - Refrigeration Piping and Heat Transfer Components
- B31.8 - Gas Transmission and Distribution Piping Systems
- B31.9 - Building Services Piping Systems
- B31.11 - Slurry Transportation Piping Systems

The above are piping construction codes that include requirements for design, materials, fabrication, examination, testing, inspection and components. Valve, fitting, and flange requirements used in these piping systems are normally referenced standards, as follows:

Inspection and Testing

- MSS-SP-61 - Pressure Testing of Steel Valves
- API-598 - Valve Inspection and Testing

The above highly recognized standards provide detailed instructions for the inspection and testing of valves.

Valve Standards

- ASME B16.34 - Valves Flanged, Threaded and Welding End
- API-600 / ISO 10434 – Bolted Bonnet Steel Gate Valves for Petroleum and Natural Gas Industries
- API-602 / ISO 15761 – Steel Gate, Globe and Check Valves for Sizes DN 100 and Smaller for the Petroleum and Natural Gas Industries

- MSS-SP-99 - Instrument Valves
- MSS-SP-105 - Instrument Valves for Code Applications
- MSS-SP-134 - Valves for Cryogenic Service Including Requirements for Body/Bonnet Extensions

The above are component (valve) standards used for construction of Vogt valves as noted in this catalog

Standards in the Valve Industry

Valve and Flange Details

ASME B16.5 - Pipe Flanges and Flanged Fittings

ASME B16.11 - Forged Fittings, Socket-Welding and Threaded

ASME B1.20.1 - Pipe Threads, General Purpose, Inch

ASME B16.10 - Face to Face and End to End Dimensions of Valves

ASME B16.20 - Metallic Gaskets for Pipe Flanges: Ring Joint, Spiral Wound, and Jacketed

ASME B16.25 - Buttwelding Ends

MSS-SP-6 - Standard Finishes for Contact Faces of Pipe Flanges and Connecting-End Flanges of Valves and Fittings

MSS-SP-25 - Standard Marking Systems for Valves, Fittings, Flanges and Unions

MSS-SP-45 - Bypass and Drain Connections

The above standards are detailed dimensional, marking, finish and bypass valve and fitting instructions for use in the manufacture of valves, flanges and fittings. The product standards normally refer to these standards for detailed instructions.

NACE Standard

MR0175 / ISO 15156-1 Petroleum and Natural Gas Industries- Materials for use in H₂S-containing Environments in Oil and Gas Production.

This standard is a recognized practice for selection of materials for construction of valves to be used in a sour environment. Such materials are recommended when Stress Corrosion Cracking (SCC) and/or Sulfide Stress Cracking (SSC) is anticipated.

MR0103 Materials Resistant to Sulfide Stress Cracking in Corrosive Petroleum Refining Environments.

This standard is a recognized practice for selection of materials for construction of valves to be used in a sour environment. Such materials are recommended when Sulfide Stress Cracking (SSC) is anticipated.

Chlorine Institute

Pamphlet # 6 – Piping Systems for Dry Chlorine

This publication is intended to provide useful information concerning the construction of Chlorine piping systems including valves.

For detailed Material Standards used by Vogt valves, see pages 126 and 127

Addresses:

American Iron & Steel Institute (AISI)
1140 Connecticut Ave., NW
Suite 705
Washington, DC 20036

American National Standards Institute (ANSI)
1819 L Street, NW
6th floor
Washington, DC 20036

American Petroleum Institute (API)
1220 L Street, NW
Washington, DC 20005-4070

American Society of Mechanical Engineers (ASME)
ASME International
Three Park Avenue
New York, NY 10016-5990

American Society of Testing and Materials
100 Barr Harbor Drive
West Conshohocken, PA 19428-2959

Manufacturers Standardization Society of the Valve & Fitting Industry
127 Park Street, N.E.
Vienna, VA 22180-4602

NACE International
1440 South Creek Drive
Houston, TX 77084-4906

Society of Automotive Engineers (SAE)
400 Commonwealth Drive
Warrendale, PA 15096-0001

The Chlorine Institute, Inc.
1300 Wilson Blvd.
Arlington, VA 22209

Replacement Parts

REPLACEMENT PARTS FOR VOGT VALVES

Vogt valves are carefully made from selected materials to give long, trouble-free service when properly installed in applications for which they were designed. Proper care and maintenance in the field can contribute significantly to maximum performance. Much of the field maintenance is of a routine nature and can be readily performed by the user. However, major repairs are discouraged and it is recommended that valves be returned to the factory for inspection and rework when major repairs are indicated.

The following information is offered as an aid to field maintenance of Vogt valves. However, Vogt valves repaired in the field do NOT carry the "Product Warranty" of valves repaired in our own facilities.

PRELIMINARY CONSIDERATIONS

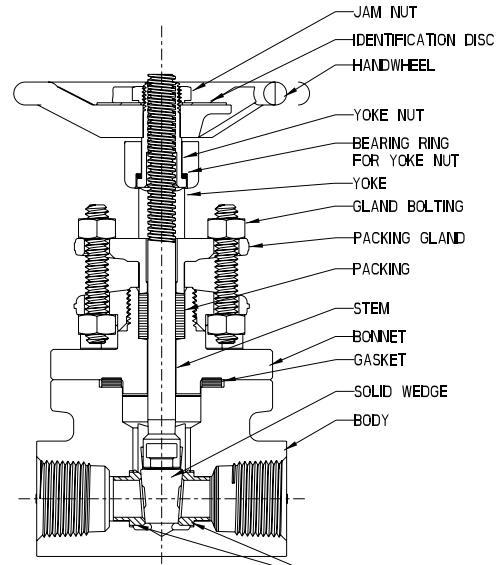
1. Use experienced, trained personnel.
2. Observe all standard safety precautions.
3. If possible, remove the valve from the line so that work can be done in a clean, well-lit area.
4. Use genuine Vogt replacement parts.
5. Use proper tools.
6. Pressure-test the valve before reinstalling. This is particularly essential on valves intended for critical service.
7. Remember that improper repairs can be hazardous.

REPLACEMENT PARTS – HOW TO ORDER

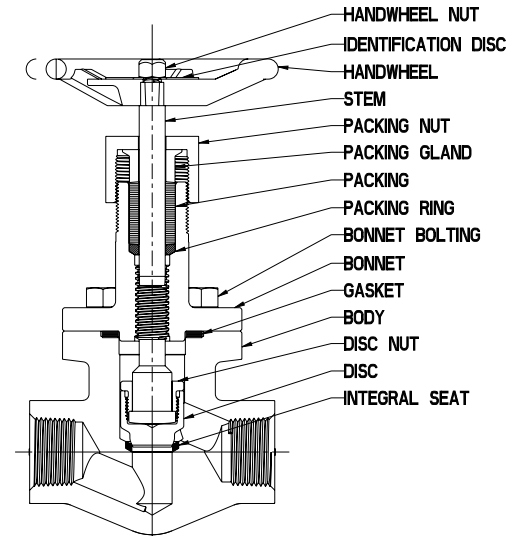
Genuine replacement parts are available for Vogt current standard valves and can usually be shipped from stock. All parts are made to gauge with the same careful inspection and laboratory control given original valves.

Orders for replacement parts should clearly identify the items required and should specify the correct name of the part, valve size, series number, drawing number, revision number and material, etc. This information is shown on the identification disc that is attached to the hand-wheel. The date of purchase and/or the order number will further identify the parts, especially those for special valves.

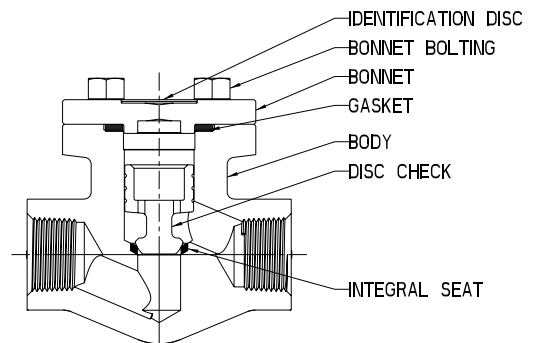
(See page 133 for Gasket and Packing Sets and page 134 for Bonnet assemblies)



GATE VALVE



GLOBE VALVE



CHECK VALVE

Packing and Gaskets

A high degree of standardization of Vogt Valves Vogt valves permits a small stock of replacement packing and gaskets to service your Vogt valves. The following matrix and part number tables provide the details for the purchasing of replacement gaskets for your Vogt bolted bonnet valves and packing for our popular class 150, 300, 600, 800, 1500, 1690 and 2680 gate, globe and angle valves.*

Packing Matrix

PRESSURE CLASS	NPS DN	½ 15	¾ 20	1 25	1¼ 32	1½ 40	2 50	2½ 65	3 80	4 100
150 Conventional Port		B	B	C	D	D	E	F	F	G
300 Conventional Port		B	B	C	D	D	E	F	F	G
600 Conventional Port		B	B	C	D	D	E	F	F	G
800 Conventional Port		B*	B	C	D	D	E	F	F	-
1500 Conventional Port		J	J	D	E	E	F	-	-	-
600 and 800 Full Port		B	C	D	-	E	F	-	-	-
1500 Full Port		B	D	E	E	F	-	-	-	-
Class 800 LTD Class		C	C	D	-	F	F	-	-	-
Class 1690 LTD Class		C	C	E	-	G	G	-	-	-
Class 2680 LTD (Globe)		C	E	E	-	G	G	-	-	-
Class 2680 LTD Class (Gate)		C	E	E	-	H	H	-	-	-

Gasket Matrix (Spiral-wound Type)

PRESSURE CLASS	NPS DN	½ 15	¾ 20	1 25	1¼ 32	1½ 40	2 50	2½ 65	3 80	4 100
150 Conventional Port		A	A	B	C	C	D	E	E	F
300 Conventional Port		A	A	B	C	C	D	E	E	F
600 Conventional Port		A	A	B	C	C	D	E	E	F
800 Conventional Port		A*	A	B	C	C	D	E	F	-
1500 Conventional Port		A	A	B	C	C	D	-	-	-
600 and 800 Full Port		A	B	G	-	D	E	-	-	-
1500 Full Port		A	B	C	C	D	-	-	-	-

Packing Set Part Numbers

MATRIX	FLEXIBLE GRAPHITE		FLUOROPOLYMER
	PACKING SET PN**	PACKING CARTRIDGE PN***	PACKING SET PN**
B	55163	55175	55276
C	55166	55176	55286
D	55167	55177	55287
E	55169	55178	55288
F	55170	-	55289
G	55171	-	55285
J	55165	55179	55294
H	55173	-	-

* API 602/ASME B16.34 type valves—see valve description. For other valves, consult your Vogt Valves distributor.

** Order packing by Packing Set PN. Individual rings of complete set will be supplied.

*** One-piece or two-piece Packing Cartridge will be supplied when this PN is used.

Gasket Usage Table

GASKET	WHERE USED
304/Graphite	A105, A182-F5, F9, F11 Cl 2, F22 C I3 Valves
316/Graphite	A182, F316 Valves
316/fluoropolymer	"T" Suffix Trimmed Valves
Monel/Graphite	MM & HF Acid Trimmed Valves
Monel/fluoropolymer	Chlorine Valves

Gasket Part Numbers

GASKET MATRIX	PART NUMBER	SPIRAL-WOUND GASKET DESCRIPTION
A	55002	304/Graphite-filled
	55003	316/Graphite-filled
	55004	316/fluoropolymer-filled
	55005	Monel/Graphite-filled
	55006	Monel/fluoropolymer-filled
B	55007	304/Graphite-filled
	55008	316/Graphite-filled
	55009	316/fluoropolymer-filled
	55010	Monel/Graphite-filled
	55011	Monel/fluoropolymer-filled
C	55025	304/Graphite-filled
	55026	316/Graphite-filled
	55027	316/fluoropolymer-filled
	55028	Monel/Graphite-filled
	55029	Monel/fluoropolymer-filled
D	55017	304/Graphite-filled
	55018	316/Graphite-filled
	55019	316/fluoropolymer-filled
	55020	Monel/Graphite-filled
	55021	Monel/fluoropolymer-filled
E	55030	304/Graphite-filled
	55031	316/Graphite-filled
	55032	316/fluoropolymer-filled
	55033	Monel/Graphite-filled
	55034	Monel/fluoropolymer
F	55042	304/Graphite-filled
	55043	316/Graphite-filled
	55044	316/fluoropolymer-filled
	55045	Monel/Graphite-filled
	-	Monel/fluoropolymer
G	55012	304/Graphite-filled
	55013	316/Graphite-filled
	55014	316/fluoropolymer-filled
	55015	Monel/Graphite-filled
	55016	Monel/fluoropolymer

Class 800 Gate Valve Conventional Port Bonnet Replacement Assemblies

Emission Reduction
Standard

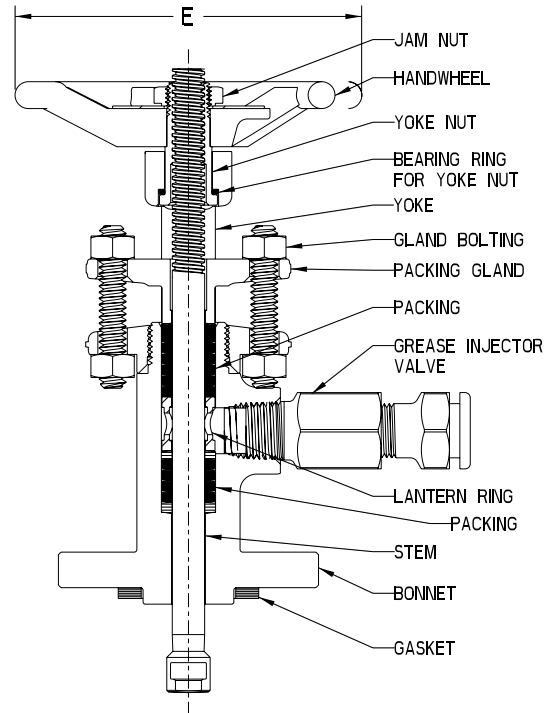
Some valve end users find it more expedient to replace the bonnet subassembly, complete with new packing, when repacking small bore valves. To support this maintenance philosophy, Vogt valve users may purchase A105 bonnet subassemblies for replacement on their Vogt valves by specifying the parts numbers noted below. The removed bonnet assemblies, if not damaged and are serviceable, can be repacked in a valve repair shop environment and be used during a later valve repacking cycle.

- Repacking made easy
- Promotes quick change
- Completely packed and ready to install
- Supports valve repacking in valve shop environment
- High degree of standardization permits retrofitting of popular Vogt Class 150, 300, 600 and 800, 13 Cr trimmed, bolted bonnet valves

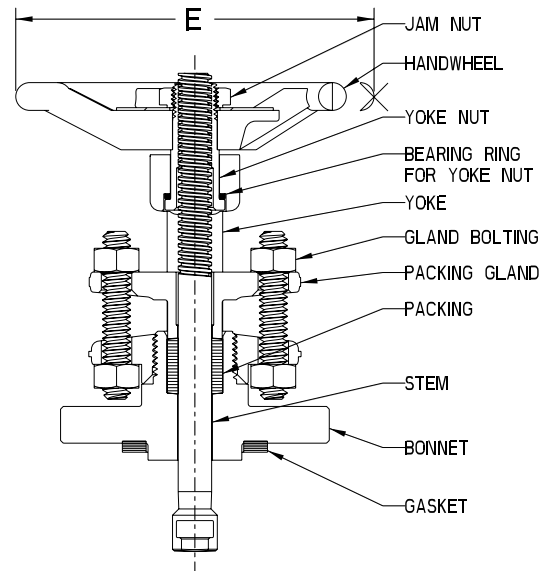
The Replacement Bonnet Assembly Packages can be easily installed on most existing in-line Compact Design Gate Valves in Classes 150, 300, 600 and 800, of A105 bolted bonnet design with 13 Cr. trim. Specify the desired replacement Bonnet Assembly Package for the valve size and series you intend to repack by replacing the bonnet subassembly.

SIZE	EMISSION REDUCTION RETROFIT BONNET ASSEMBLY PACKAGE	STANDARD RETROFIT BONNET ASSEMBLY PACKAGE	E	
			IN	MM
1/2 3/4	41000-04	21000-04	4.00	102
1	41000-06	21000-06	4.75	121
1-1/4 1-1/2	41000-08	21000-08	5.75	146
2	41000-09	21000-09	7.00	178

Write for Vogt's installation procedure covering instructions for proper field replacement of these bonnet subassemblies.



SERIES 41000
EMISSION REDUCTION
A105/13% CR. TRIM



SERIES 21000
STANDARD
A105/13% CR. TRIM

Torque Requirements

MAX HANDWHEEL CLOSING TORQUE FT-LB										
SIZE	CLASS 800 GATE	CLASS 800 FULL PORT GATE	CLASS 1500 GATE	CLASS 1500 FULL PORT GATE	CLASS 2500 FULL PORT GATE	CLASS 800 GLOBE	CLASS 800 FULL PORT GLOBE	CLASS 1500 GLOBE	CLASS 1690 GLOBE	CLASS 2680 FULL PORT GLOBE
½"	15	15	25	25	30	15	15	25	25	30
¾"	15	20	25	35	75	15	30	25	25	75
1"	20	40	35	55	75	30	40	35	40	75
1¼"	50	50	75	75				60		
1½"	50	70	75	115	175	40	75	60	125	175
2"	70	100	115	N/A	175	75	100	100	125	175

RECOMMENDED MAXIMUM BONNET BOLT TORQUES (DRY, UN-LUBRICATED VALUES)								
		½	¾	1	1 ¼	1 ½	2	3
CLASS 800	QTY - BOLT DIAMETER	4 - 3/8"	4 - 3/8"	4 - 7/16"	4 - 5/8"	4 - 5/8"	4 - 5/8"	8 - 3/4"
	TORQUE - B7 (ft-lb)	35	35	45	125	125	125	175
	TORQUE - B16 (ft-lb)	35	35	45	125	125	125	175
	TORQUE - B8M (ft-lb)	35	35	45	115	115	115	156
CLASS 1500	QTY - BOLT DIAMETER	4 - 1/2"	4 - 1/2"	4 - 9/16"	8 - 9/16"	8 - 9/16"	8 - 5/8"	
	TORQUE - B7 (ft-lb)	85	85	100	100	100	125	
	TORQUE - B16 (ft-lb)	85	85	100	100	100	125	
	TORQUE - B8M (ft-lb)	75	75	100	100	100	115	

REDUCE ABOVE VALUES BY 25% TO 30% IF ANY TYPE OF LUBRICATION IS USED ON BOLTING

MAXIMUM PACKING GLAND BOLTING TORQUE				
SIZE	CLASS 150, 300, 600 & 800 CONV. PORT	CLASS 300, 600 & 800 FULL PORT	CLASS 1500	CLASS 1500 FULL PORT
½"	1.8 ft-lb	1.8 ft-lb	4.2 ft-lb	4.2 ft-lb
¾"	1.8 ft-lb	3.7 ft-lb	4.2 ft-lb	7.5 ft-lb
1"	3.7 ft-lb	4.0 ft-lb	7.5 ft-lb	13.9 ft-lb
1¼"	4.0 ft-lb		13.9 ft-lb	13.9 ft-lb
1½"	4.0 ft-lb	7.5 ft-lb	13.9 ft-lb	15.9 ft-lb
2"	7.5 ft-lb	8.5 ft-lb	15.9 ft-lb	
2½"	8.5 ft-lb			
3"	8.5 ft-lb			
4"	12.0 ft-lb			

Care and Maintenance of Vogt Forged Steel Valves

Valve Care Before Installation

Vogt valves are carefully made from selected materials to give long, trouble-free service when properly installed in applications for which they were designed. Proper care and maintenance in the field can contribute significantly to maximum performance.

The care the valve receives between the time it is shipped by the manufacturer and installed in the piping system is important. During this period, the valve can be handled many times and can be kept in storage for long periods. Industrial valves are not delicate, but they are mechanical devices that should be treated as such and handled with care.

Vogt always provides valves with appropriate end covers to protect the end connections and to prevent foreign material from entering the valve. In addition, small valves are shipped in sealed cartons while larger valves are usually palletized. If at all practical, keep the valves in the cartons or on pallets with the end covers in place until ready to be installed. Storing the valves off the ground and indoors is always preferable. When stored outside, valves should be off the ground and protected by a weatherproof cover.

Prior to installation, the valves and nameplates should be checked for proper identification to be sure the valve is the proper type and of suitable pressure class. Actuate the valve to check for possible damage from shipping and handling. Also, it is extremely important to inspect the interior of both the valve and the adjoining pipe for cleanliness. By far, the major cause of seat leakage and seat damage is foreign material in the line. Also, inspect the end connections to be sure that pipe threads and flange faces are free of scratches, nicks or dents.

Routine Inspection and Maintenance

Once the right valve is properly installed, field maintenance is of a generally routine nature and can be readily performed by the user. The critical areas of the valve include the stem threads and those locations where leakage will most likely occur – the stem packing, the bonnet joint, the seat and the end connections. It is desirable that a maintenance program be established that will include periodic inspection of the noted critical areas. Stem threads should be lubricated prior to installation and periodically as part of the regular inspection. A high pressure and temperature lubricant such as Dow Corning Molykote™ G-n paste should be used.

The most common location of a noticeable leak is at the stem seal. Leakage at the stem can usually be stopped by adjusting the packing. If leakage cannot be stopped by packing adjustment, repacking is indicated. However, back-seating the valve and attempting to repack under pressure is hazardous and is not recommended. Rather than attempting to repack under pressure, it is preferable to use the backseat to control stem leakage until a shutdown provides safe repacking conditions.

Major Field Repair

Maintenance involving rework or replacement parts is considered major repair. When circumstances dictate field repair of Vogt valves, the following information is offered as an aid. It must be pointed out, however, that the Vogt valves repaired in the field are no longer under “Product Warranty,” and in no event is Vogt liable for any cause whatsoever. There are no warranties of any kind whatsoever, expressed or implied, other than those stated in Vogt’s current Terms and Conditions.

Preliminary Considerations for Valve Repair:

1. Use experienced, trained personnel.
2. Observe all standard safety precautions.
3. If possible, remove the valve from the line so that work can be done in a clean, well-lit area.
4. Use genuine Vogt replacement parts.
5. Use proper tools.
6. Pressure test the valve before reinstalling. This is particularly essential on valves intended for critical service.
7. Remember that improper repairs can be hazardous.

Care and Maintenance of Vogt Forged Steel Valves

Replacement Parts ... How to Order

Genuine replacement parts are available for Vogt current standard valves and can usually be shipped from stock. All parts are made to gauge with the same careful inspection and laboratory control given original valves.

Orders for replacement parts should clearly identify the items required and should specify the correct name of the part, valve size, series number, drawing number, revision number and material, etc. This information is shown on the identification disc that is attached to the hand-wheel. The date of purchase and/or the order number will further identify the parts, especially those for special valves.

The embossed number on each hand-wheel, having a prefix letter "V", is the pattern number of the hand-wheel and has no relation to the ordering of other valve parts. Prices for valve parts will be furnished on application.

Tools For Installing Replacement Parts

Wrenches are available (price on application) for the removal and replacement of renewable seats for globe, angle and check valves. The wrenches are machined to an accurate finish to fit the drive notches or lugs of the seat and are properly heat treated for strength and toughness.

Disassembly

Small valves of the union bonnet type or of the new screw bonnet type are readily disassembled by unscrewing the union nut or the bonnet. In bolted bonnet valves, the nut should be removed from the bonnet stud bolts or hexagon head cap screws removed from the body. Tight bolt threads may be loosened by applying penetrating oil to the threads or by selectively heating the bolt at the point of the thread engagement. On bonnet joints of the through bolt type, the bolts may be cut between the body and bonnet flanges for removal.

Stems

Tight stems in valves of the O.S. & Y. type are caused by either dry, worn packing or non-lubrication of the yoke nut threads. Applying a few drops of oil to the stem threads and packing and opening and closing the valve a few times, may loosen the stem. At the same time, make sure the packing gland bolting is pulled down evenly so the gland will not bind against the stem. However, care should be taken not to over-compress the packing.

A tight stem in an inside screw valve may also result from worn or over-compressed packing, or the stem bonnet threads may "freeze" from excessive service temperatures or from corrosive fluids in the valve. If the stem turns freely after all packing is removed and if the surface of the stem in contact with the packing is in good condition, a new packing is the remedy. If the stem is still tight, turn the valve to the upright position, fill the stuffing box with penetrating oil and let soak. If the stem remains tight, a new bonnet and stem are required or, if practical, an O.S. & Y type valve could be substituted.

Bonnet Joints

On valves of the union bonnet type, repairs can be made without removing the valve from the line, provided there is enough wrench room for loosening and tightening the bonnet nut. Before loosening the bonnet nut, be sure the valve has been relieved of all pressure. A few hammer taps to the side of the bonnet nut or around the body neck on screw bonnet type valves will loosen the nut or bonnet. Gasket joints require a smooth, clean surface on both the body and the bonnet gasket faces and a new gasket is recommended for reassembly. On bolted bonnet valves in high-temperature service and particularly where severe thermal cycling is involved, it is recommended that bolt torque be checked periodically. This recommendation applies to gland bolting as well.

Packing

Vogt valves have well-proportioned stuffing boxes filled with the best grade packing material available. Before repacking, be sure to have the right grade, type and size of packing.

Repacking under pressure is hazardous and is not recommended. The backseat should be used as a temporary measure to control stem leakage until a shutdown provides safe repacking conditions.

Wipe all parts of the stuffing box, inside and out, before installing the new packing. Vogt uses a split ring type packing. If this type is used for replacement, take care to stagger the ring slits so that they are not in-line. After putting in a few rings, tamp them into place well, using the packing gland as a tamping tool. Then add enough packing to fill the stuffing box. Pressure on the packing is applied by the packing nut or gland flange bolting, depending on valve design, which bears on a gland in the stuffing box. Gland bolting should be tightened evenly to obtain the proper packing compression for leak-free service. Upon reassembling the valve, a few turns of the hand-wheel and a few drops of oil applied on the stem just above the packing will help work-in the packing to the stem.

(See page 133 for Gaskets and Packing Sets and page 134 for Bonnet assemblies)

Care and Maintenance of Vogt Forged Steel Valves

Disc and Seat

Leakage through the seat and disc is not always easy to detect, but when definitely known to exist, immediate repair is recommended since delay may permanently damage the disc, seat or both.

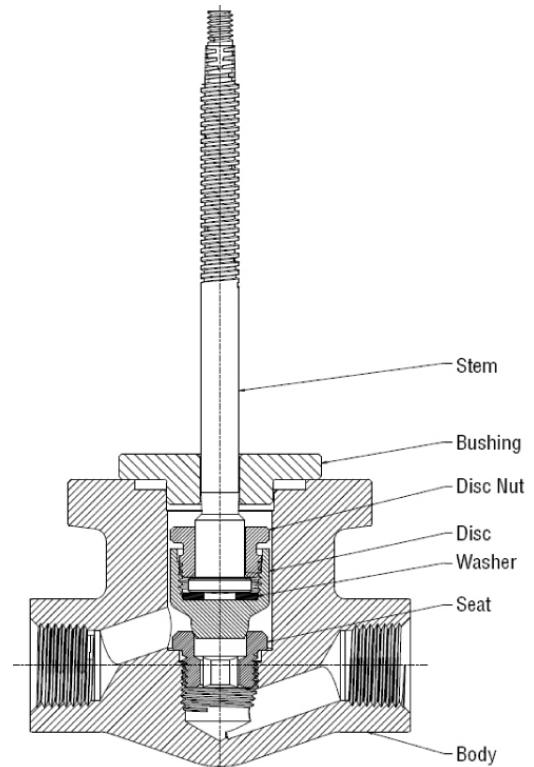
The internal repair of gate valves 2" and smaller is usually found to be uneconomical. However, if a gate valve is disassembled for inspection or cleaning, care should be taken when removing the wedge to note and mark its orientation with respect to the valve body so that when the wedge is reinserted in the valve, it will have precisely the same relationship to the seats that it had in the original assembly.

The seat threads in angle, globe and check valve bodies should be carefully inspected to make sure they are in usable condition. When installing new seats by using proper seat tools, the seats should be screwed tightly into the valve body, then unscrewed and examined to make sure they are making continuous contact for tight seal.

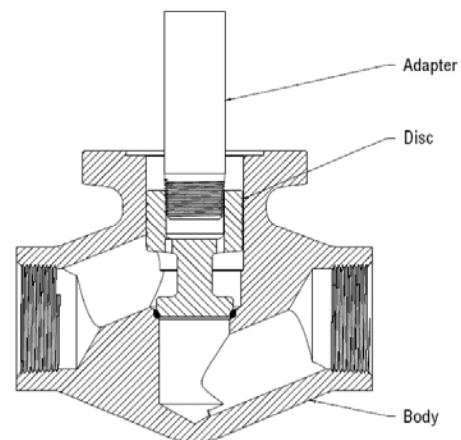
If seating surfaces show galling, slight pitting, grooving or indentations not deeper than 0.010", lapping will usually restore the surfaces sufficiently to permit tight closure. Defects deeper than 0.010" can seldom be corrected by lapping, but seating surfaces can be remachined or new parts installed. For re-lapping the seat and disc of Vogt globe, angle or check valves, use a fine and a coarse grade emery base compound such as Clover Compound A and D. Apply a light coat of fine, or A, compound to the seating surface of the disc or one-piece stem, insert disc or one-piece stem into seat, and lap using an oscillating motion. Lap a few minutes and then wipe seating surfaces clean. This will clearly show the extent of damage. If severe damage is noted, use the coarse, or D, compound and lap until all defects are removed. Then finish with the fine, or A, compound. It is recommended that the face of the disc be "blued" to check for contact between seating surfaces after final lapping.

Globe and angle valves require a lapping guide fixture to maintain alignment during the lapping operation. A fixture as shown in GLOBE Figure may be made or, for O.S. and Y. valves, a valve bonnet with yoke nut removed may be used. For re-lapping loose disc globe valves, place a washer between the disc and head of the stem and retighten the disc nut, as shown in GLOBE Figure.

Vogt piston check valves require an adapter to screw or mate into the piston for lapping the piston seating surface to the seat. The bore of the valve body serves as a guide for lapping, see CHECK Figure. Ball check valves are primarily used for fluids of high viscosity and the rolling action of the ball maintains seating surfaces in good condition until ball size or ball guide is worn and replacement parts are needed.



GLOBE FIGURE



CHECK FIGURE

Weight and Pressure Conversion

Weight Conversion

Pounds to Kilograms

(1 pound = 0.4536 kilograms)

Pounds	0	1	2	3	4	5	6	7	8	9
0	0.00	0.45	0.91	1.36	1.81	2.27	2.72	3.18	3.63	4.08
10	4.54	4.99	5.44	5.90	6.35	6.80	7.26	7.71	8.16	8.62
20	9.07	9.53	9.98	10.43	10.89	11.34	11.79	12.25	12.70	13.15
30	13.61	14.06	14.52	14.97	15.42	15.88	16.33	16.78	17.24	17.69
40	18.14	18.60	19.05	19.50	19.96	20.41	20.87	21.32	21.77	22.23
50	22.68	23.13	23.59	24.04	24.49	24.95	25.40	25.86	26.31	26.76
60	27.22	27.67	28.12	28.58	29.03	29.48	29.94	30.39	30.84	31.30
70	31.75	32.21	32.66	33.11	33.57	34.02	34.47	34.93	35.38	35.83
80	36.29	36.74	37.20	37.65	38.10	38.56	39.01	39.46	39.92	40.37
90	40.82	41.28	41.73	42.18	42.64	43.09	43.55	44.00	44.45	44.91

Kilograms to Pounds

(1 kilograms = 2.2046 pounds)

Kilograms	0	1	2	3	4	5	6	7	8	9
0	0.00	2.20	4.41	6.61	8.82	11.02	13.23	15.43	17.64	19.84
10	22.05	24.25	26.46	28.66	30.86	33.07	35.27	37.48	39.68	41.89
20	44.09	46.30	48.50	50.71	52.91	55.12	57.32	59.52	61.73	63.93
30	66.14	68.34	70.55	72.75	74.96	77.16	79.37	81.57	83.77	85.98
40	88.18	90.39	92.59	94.80	97.00	99.21	101.41	103.62	105.82	108.03
50	110.23	112.43	114.64	116.84	119.05	121.25	123.46	125.66	127.87	130.07
60	132.28	134.48	136.69	138.89	141.09	143.30	145.50	147.71	149.91	152.12
70	154.32	156.53	158.73	160.94	163.14	165.35	167.55	169.75	171.96	174.16
80	176.37	178.57	180.78	182.98	185.19	187.39	189.60	191.80	194.01	196.21
90	198.41	200.62	202.82	205.03	207.23	209.44	211.64	213.85	216.05	218.26
90	40.82	41.28	41.73	42.18	42.64	43.09	43.55	44.00	44.45	44.91

Pressure Conversion

Bar to Pounds per Square Inch (psi)

(1 Bar = 105 Pa = 14.5 psi)

1 to 20		21 to 40		41 to 60		61 to 80		81 to 100	
Bar	psi	Bar	psi	Bar	psi	Bar	psi	Bar	psi
1	14.5	21	304.6	41	594.7	61	884.7	81	1174.8
2	29.0	22	319.1	42	609.2	62	899.2	82	1189.3
3	43.5	23	333.6	43	623.7	63	913.7	83	1203.8
4	58.0	24	348.1	44	638.2	64	928.2	84	1218.3
5	72.5	25	362.6	45	652.7	65	942.7	85	1232.8
6	87.0	26	377.1	46	667.2	66	957.2	86	1247.3
7	101.5	27	391.6	47	681.7	67	971.8	87	1261.8
8	116.0	28	406.1	48	696.2	68	986.3	88	1276.3
9	130.5	29	420.6	49	710.7	69	1000.8	89	1290.8
10	145.0	30	435.1	50	725.2	70	1015.3	90	1305.3
11	159.5	31	449.6	51	739.7	71	1029.8	91	1319.8
12	174.0	32	464.1	52	754.2	72	1044.3	92	1334.3
13	188.5	33	478.6	53	768.7	73	1058.8	93	1348.9
14	203.1	34	493.1	54	783.2	74	1073.3	94	1363.4
15	217.6	35	507.6	55	797.7	75	1087.8	95	1377.9
16	232.1	36	522.1	56	812.2	76	1102.3	96	1392.4
17	246.6	37	536.6	57	826.7	77	1116.8	97	1406.9
18	261.1	38	551.1	58	841.2	78	1131.3	98	1421.4
19	275.6	39	565.6	59	855.7	79	1145.8	99	1435.9
20	290.1	40	580.2	60	870.2	80	1160.3	100	1450.4

Dimensional Data for Standard & Schedule Pipe

Stainless Steel Pipe

NPS-Black numbers are inches and pounds DN-Blue numbers are millimeter and kilograms

PIPE	NPS DN	1/8 6	1/4 8	3/8 10	1/2 15	3/4 20	1 25	1 1/4 32	1 1/2 40	2 50	2 1/2 63	3 80	3 1/2 95	4 100	5 125	6 150	8 200	10 250	12 300
	Outside Dia.	0.405 10.3	0.540 13.7	0.675 17.1	0.840 21.3	1.050 26.7	1.315 33.4	1.660 42.2	1.900 48.3	2.375 60.3	2.875 73.0	3.500 88.9	4.000 101.6	4.500 114.3	5.563 141.3	6.625 168.3	8.625 219.1	10.750 273.1	12.750 323.9
Schedule 5S (a)	Inside Dia.				0.710 18.0	0.920 23.4	1.185 30.1	1.530 38.9	1.770 45.0	2.245 57.0	2.709 68.8	3.334 84.7	3.834 97	4.334 110	5.345 136	6.407 163	8.407 214	10.842 275	12.438 316
	Wall Thick.				0.065 1.65	0.065 1.65	0.065 1.65	0.065 1.65	0.065 1.65	0.065 1.65	0.083 2.11	0.083 2.11	0.083 2.11	0.083 2.11	0.109 2.77	0.109 2.77	0.109 2.77	0.134 3.40	0.156 3.96
	Wt. Per Ft.				0.54 0.80	0.69 1.03	0.87 1.29	1.11 1.65	1.28 1.90	1.61 2.40	2.48 3.69	3.03 4.51	3.48 5.18	3.92 5.83	6.36 9.46	7.60 11.31	9.93 14.78	15.19 22.61	20.98 31.22
Schedule 10S (a)	Inside Dia.	0.307 7.8	0.410 10.4	0.545 13.8	0.674 17.1	0.884 22.5	1.097 27.9	1.442 36.6	1.682 42.7	2.157 54.8	2.635 66.9	3.260 82.8	3.760 96	4.260 108	5.295 134	6.357 161	8.329 212	10.420 265	12.390 315
	Wall Thick.	0.049 1.24	0.065 1.65	0.065 1.65	0.083 2.11	0.083 2.11	0.109 2.77	0.109 2.77	0.109 2.77	0.109 2.77	0.120 3.05	0.120 3.05	0.120 3.05	0.120 3.05	0.134 3.40	0.134 3.40	0.148 3.76	0.165 4.19	0.180 4.57
	Wt. Per Ft.	0.19 0.28	0.33 0.49	0.42 0.63	0.67 1.00	0.86 1.28	1.40 2.08	1.81 2.69	2.09 3.11	2.64 3.93	3.53 5.25	4.33 6.44	4.97 7.40	5.61 8.35	7.77 11.56	9.29 13.83	13.40 19.94	18.65 27.75	24.17 36.0
Schedule 40S	Inside Dia.	0.269 6.8	0.364 9.2	0.493 12.5	0.622 15.8	0.824 20.9	1.049 26.6	1.380 35.1	1.610 40.9	2.067 52.5	2.469 62.7	3.068 77.9	3.548 90	4.026 102	5.047 128	6.065 154	7.981 203	10.020 255	11.938 303
	Wall Thick.	0.068 1.73	0.088 2.24	0.091 2.31	0.109 2.77	0.113 2.87	0.133 3.38	0.140 3.56	0.145 3.68	0.154 3.91	0.203 5.16	0.216 5.49	0.226 5.74	0.237 6.02	0.258 6.55	0.280 7.11	0.322 8.18	0.365 9.27	0.375 9.53
	Wt. Per Ft.	0.24 0.36	0.42 0.63	0.57 0.85	0.85 1.26	1.13 1.68	1.68 2.50	2.27 3.38	2.72 4.05	3.65 5.43	5.79 8.62	7.68 11.43	9.11 13.56	10.79 16.06	14.62 21.76	18.97 28.23	28.55 42.49	40.48 60.24	49.56 73.75
Schedule 80S	Inside Dia.	0.215 5.5	0.302 7.7	0.423 10.7	0.546 13.9	0.742 18.8	0.957 24.3	1.278 32.5	1.500 38.1	1.999 50.8	2.323 59.0	2.900 73.7	3.354 85	3.828 97	4.813 122	5.761 146	7.625 194	9.75 248	11.75 298
	Wall Thick.	0.095 2.41	0.119 3.02	0.128 3.25	0.147 3.73	0.154 3.91	0.179 4.55	0.191 4.85	0.200 5.08	0.218 5.54	0.276 7.01	0.300 7.62	0.318 8.08	0.337 8.56	0.375 9.53	0.432 10.97	0.500 12.70	0.500 12.70	0.500 12.70
	Wt. Per Ft.	0.31 0.46	0.54 0.80	0.74 1.10	1.09 1.62	1.47 2.19	2.17 3.23	3.00 4.46	3.53 5.25	5.02 7.47	7.66 11.40	10.25 15.25	12.50 18.60	14.98 22.29	20.78 30.92	28.57 42.52	43.39 64.57	54.74 81.46	65.42 97.36

(A) Wall thickness of schedule 5S and 10S does NOT permit threading in accordance with USA Standard Pipe Threads (ASME B1.20.1)

CARBON STEEL PIPE DATA: Extracted from ASME B36.10M-1985 Standards (except inside diameter and on size notation)

STAINLESS STEEL PIPE DATA: Extracted from ASME B36.19M-1985 Standards (except inside diameter and on size notation)

Limited Warranty

Seller warrants that the Goods shall be free from defects in materials manufactured by Seller and in Seller's workmanship for a period of one (1) year following shipment (the "Warranty Period"). This limited warranty shall apply only in favor of Buyer, shall expire on the last day of such one (1) year period and shall be subject to the following:

- a. This warranty shall not apply to Goods that have been (i) repaired or altered by any Person other than the Seller, (ii) subjected to unreasonable or improper use or use beyond rated conditions, improper storage, negligence or accident, (iii) damaged because of use of the Goods or incorporation of the Goods into use of any Goods with other materials or equipment, after Buyer (or any other person using the Goods) has, or reasonably should have, knowledge of any defect; (iv) manufactured, fabricated or assembled by any person other than Seller (Seller shall assign to Buyer, to the extent same is assignable, any warranty Seller has received from the manufacture of such Goods); or (v) improperly installed by any person (including Buyer) other than Seller.
- b. This warranty shall not be effective unless Seller receives a written claim within thirty (30) days after discovery of any defect with respect to which a claim is made.
- c. Seller shall have the right (but not the obligation) to verify, with its own representatives, the nature and extent of any claimed defect prior to return of Goods to Seller. Upon request by Seller, Buyer shall, at its own risk and expense, promptly return the Goods in question to Seller's Plant.
- d. Buyer covenants to inform all subsequent buyers to the Goods of the limitations on and exclusion of the warranties provided herein. Buyer hereby indemnifies and agrees to hold Seller harmless from and against all losses, costs and expenses, including reasonable attorney's fees incurred by Seller as a result of any third-party claim relating to the purchase, sale or use of, otherwise relating to, the Goods covered by this agreement.
- e. Seller's liability for any breach of warranty shall be limited either to (i) repair or replacement (whichever Seller shall elect) at Seller's Plant of any Goods determined by Seller to be defective, or (ii) payment of an amount equal to the invoiced cost to the Buyer of the part or material that is defective, as Seller may elect. In no event shall Seller be required to repair, replace or reimburse Buyer for more than the part or material that is found to be defective and Seller's liability shall in no event be greater than the invoiced price of the item and shall not include labor, shipping or other costs incurred in connection with the reshipment of defective Goods to Seller or the reinstallation of such Goods after any repair or replacement. The Goods, as a whole, shall not be construed to be a "part" or "material" for the purpose of the immediately preceding sentence. Any Goods that are repaired or replaced by Seller shall be re-delivered to Buyer F.O.B. Seller's Plant and shall be warranted for the remaining term of the original Warranty Period for such Goods. THE REMEDY SET FORTH IN THIS LIMITED WARRANTY IS EXPRESSLY AGREED TO BE SOLE AND EXCLUSIVE REMEDY FOR ANY SUCH BREACH OF WARRANTY.
- f. THIS LIMITED WARRANTY IS IN LIEU OF ALL OTHER WARRANTIES (EXCEPT OF TITLE), EXPRESS, IMPLIED OR STATUTORY, INCLUDING WITHOUT LIMITATION ANY IMPLIED OR EXPRESS WARRANTIES OF MERCHANTABILITY, FITNESS FOR A PARTICULAR PURPOSE AND CONFORMITY TO MODELS OR SAMPLES. ALL OTHER LIABILITY WHETHER IN CONTRACT OR TORT, STRICT LIABILITY, NEGLIGENCE OR OTHERWISE, IS HEREBY EXCLUDED.

