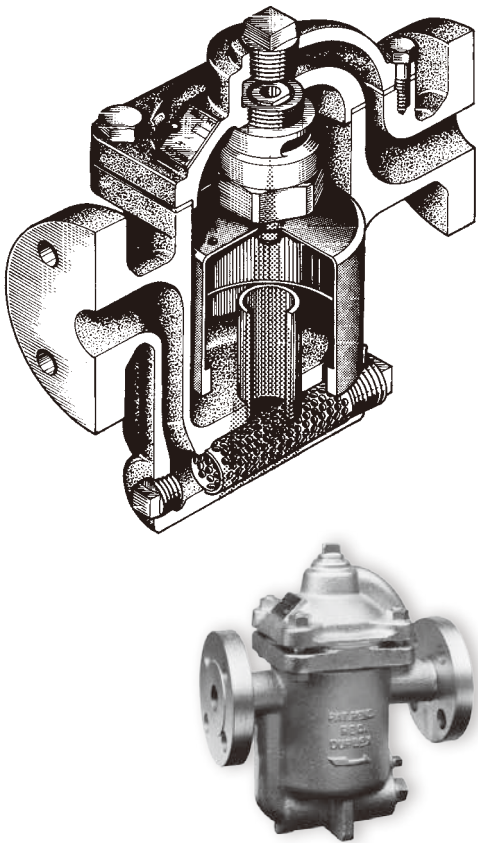
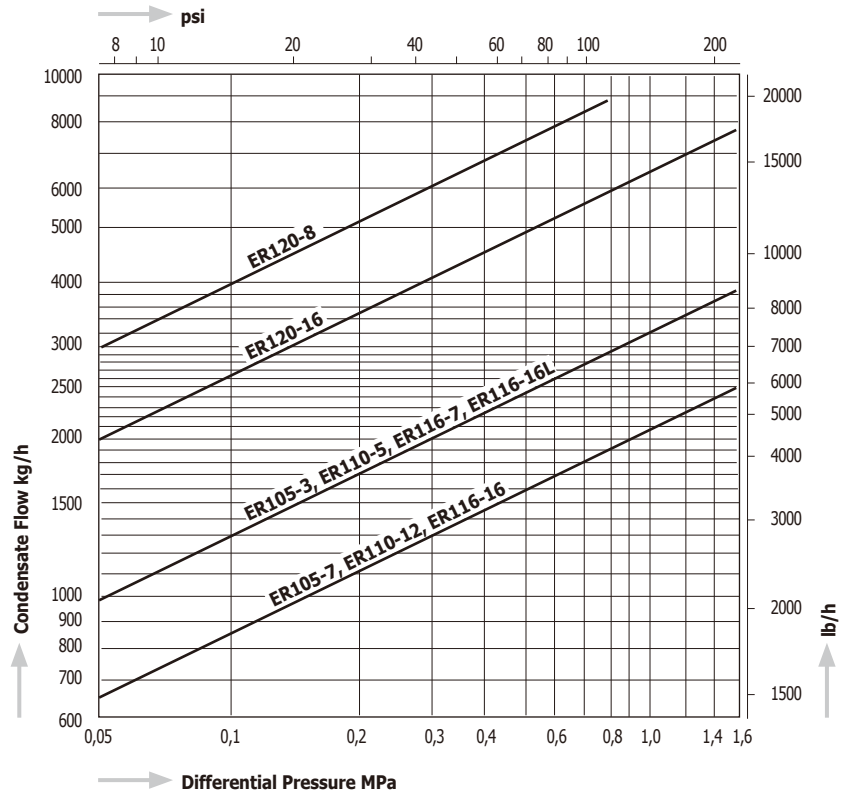


ER



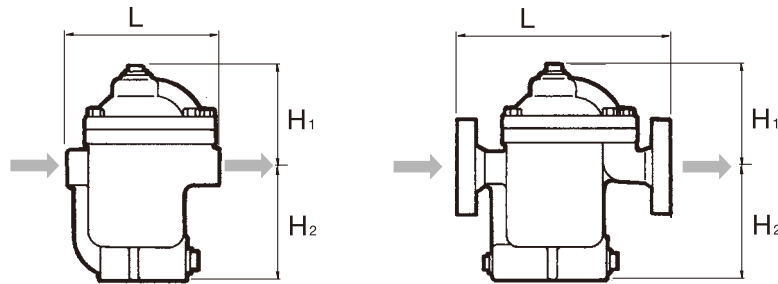
Capacity Chart ER



Dimensions

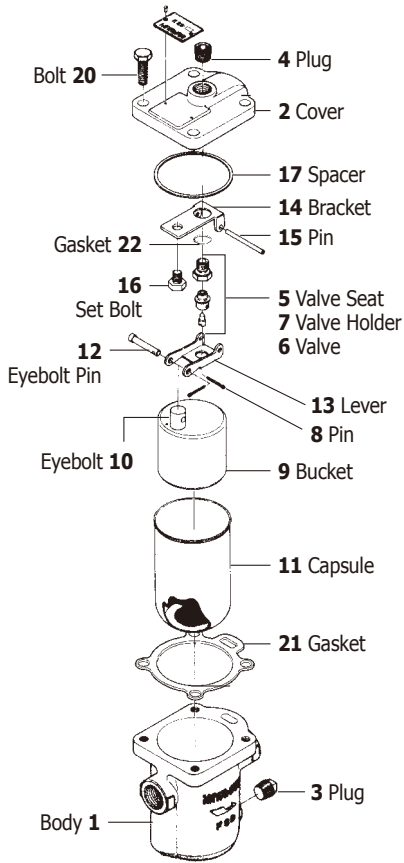
ER105

ER105F, ER110, ER116, ER120

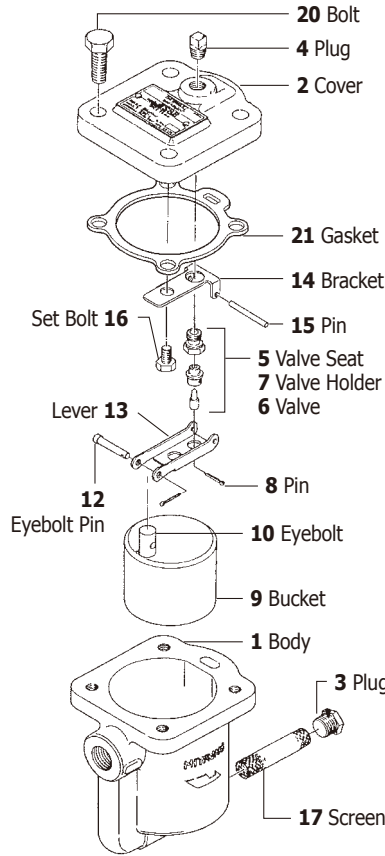


Model	Connections	Size	Max. Operating Pressure		Max. Operating Temperature		Dimensions (mm)			Dimensions (in)			Body Material	Weight	
			MPa	psig	°C	°F	L	H ₁	H ₂	L	H ₁	H ₂		kg	lb
ER105 - 3 7	Screwed Rc, NPT	¾" – 1½"	0,3	43	220	428	190	155	134	7.5	6.1	5.3	Cast Iron FC250	10,2	22.5
			0,7	100			254	155	134	10.0	6.1	5.3		13,6	29.9
ER105F - 3 7	Flanged JIS, ASME, DIN	½" – 1"	0,3	43	220	428	260	155	134	10.2	6.1	5.3	Cast Iron FC250	15,1	33.2
			0,7	100			254	155	134	10.0	6.1	5.3		13,6	29.9
		½" – 1"	0,5	73			280	210	130	11.0	8.3	5.1		16,1	35.4
			1,2	174			254	200	140	10.0	7.9	5.5		18,1	39.8
ER110 - 5 12	Flanged JIS, ASME, DIN	½" – 1"	0,5	73	220	428	280	210	130	11.0	8.3	5.1	Cast Iron FC250	16,1	35.4
			1,2	174			254	200	140	10.0	7.9	5.5		18,1	39.8
		½" – 1"	0,7	100			300	230	132	11.8	9.1	5.2		19,0	41.8
			1,6	230			300	190	167	11.8	7.5	6.6		23,0	50.6
ER116 - 7 16	Flanged JIS, ASME, DIN	½" – 1"	0,7	100	300	572	300	230	132	11.8	9.1	5.2	Ductile Cast Iron FCD450	19,0	41.8
			1,6	230			300	230	132	11.8	9.1	5.2		23,0	50.6
		½" – 1"	0,8	116			300	230	132	11.8	9.1	5.2		19,0	41.8
			1,6	230			300	190	167	11.8	7.5	6.6		23,0	50.6
ER120 - 8 16	Flanged JIS, ASME, DIN	1½" – 2½"	0,8	116	220	428	400	220	217	15.8	8.7	8.5	Cast Iron FC250	46,0	101.2
			1,6	230			400	220	217	15.8	8.7	8.5		46,0	101.2

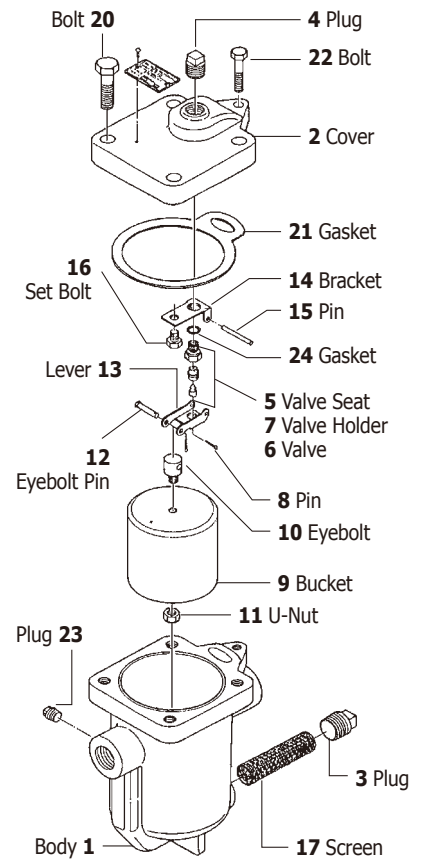
ES5/ESU5



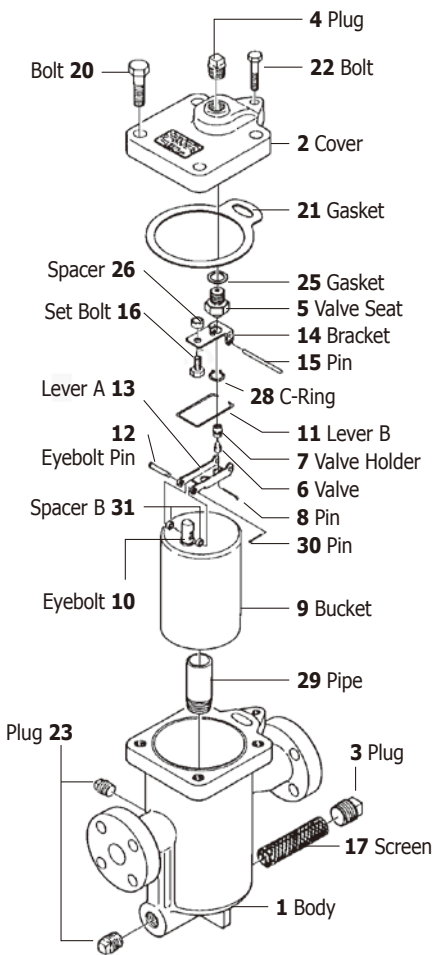
ES8N



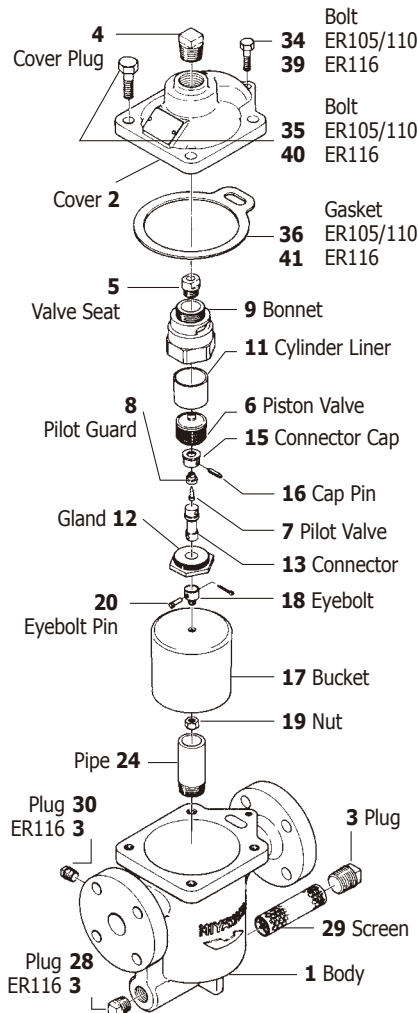
ES10



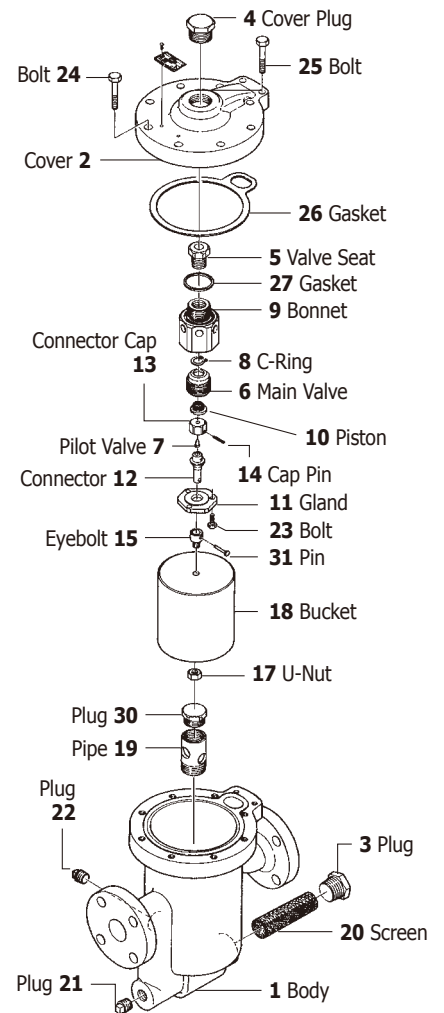
ES12N



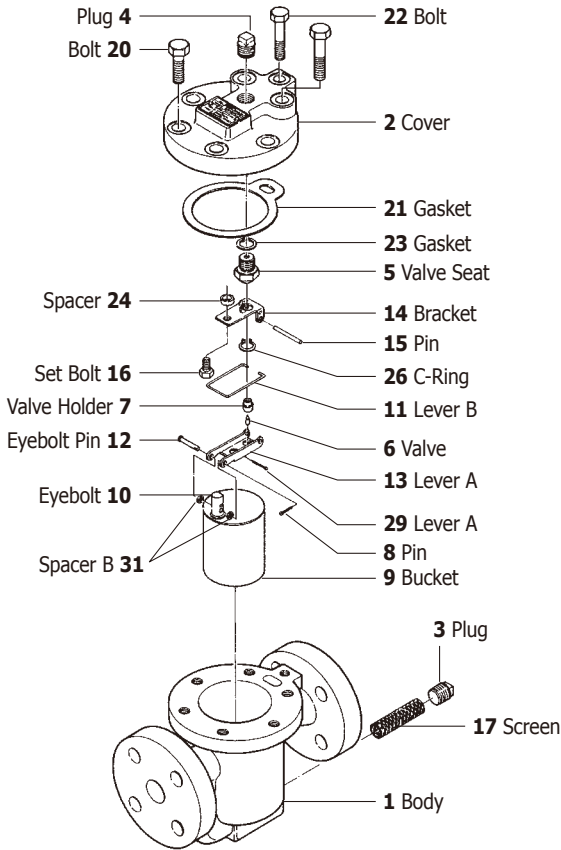
ER105/110/116



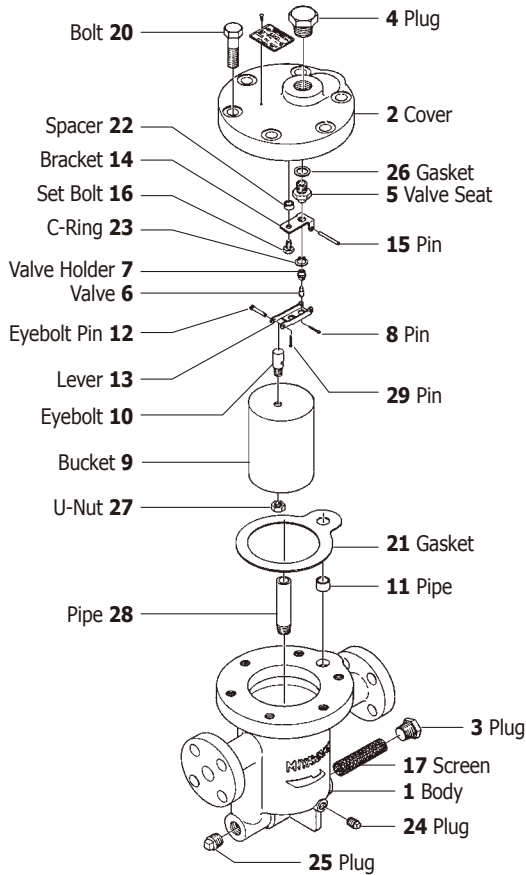
ER120



ESH8N



ESH21



ER25

