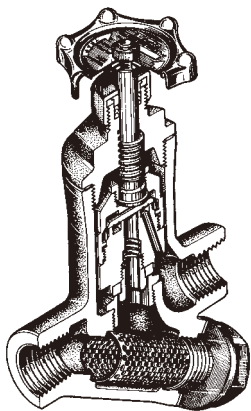
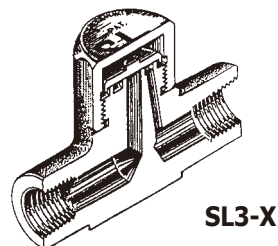
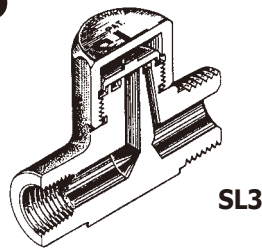


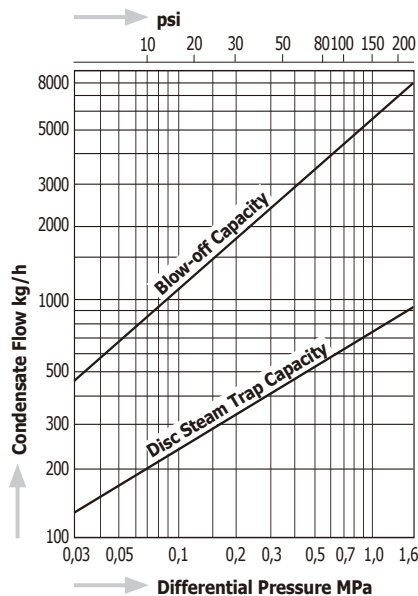
# SV



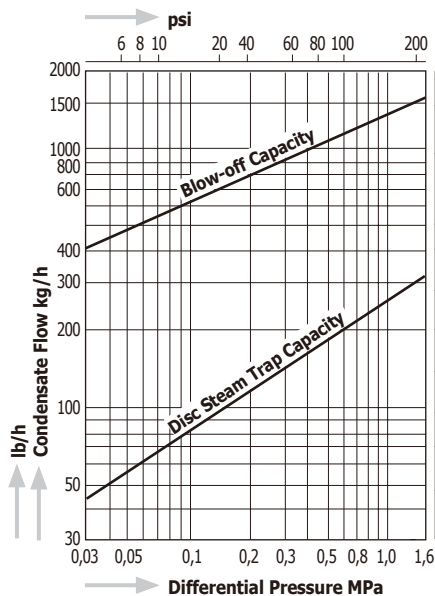
# SL3



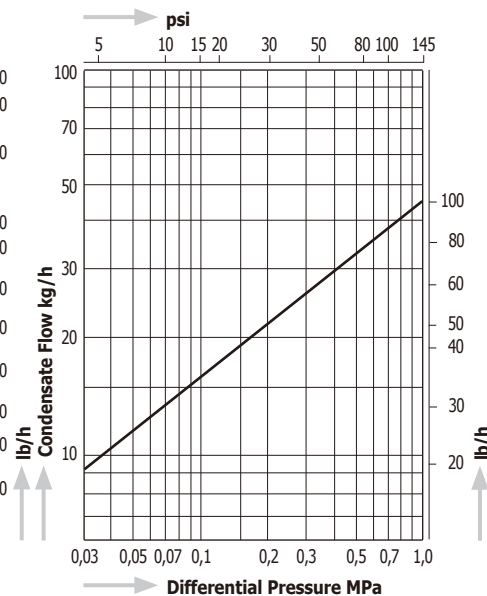
Capacity Chart SV-N



Capacity Chart SV1



Capacity Chart SL3



## Dimensions

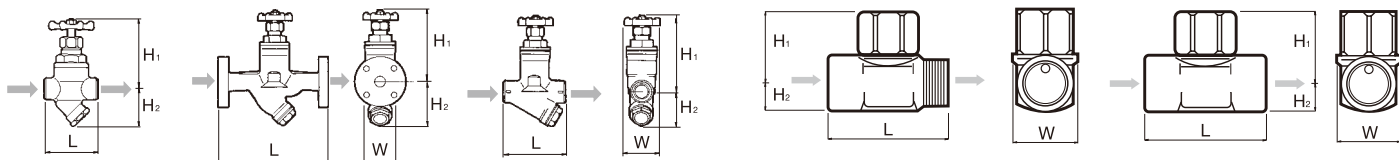
SV1

SV - 4NF, 6NF, 8NF

SV - 4N, 6N, 8N

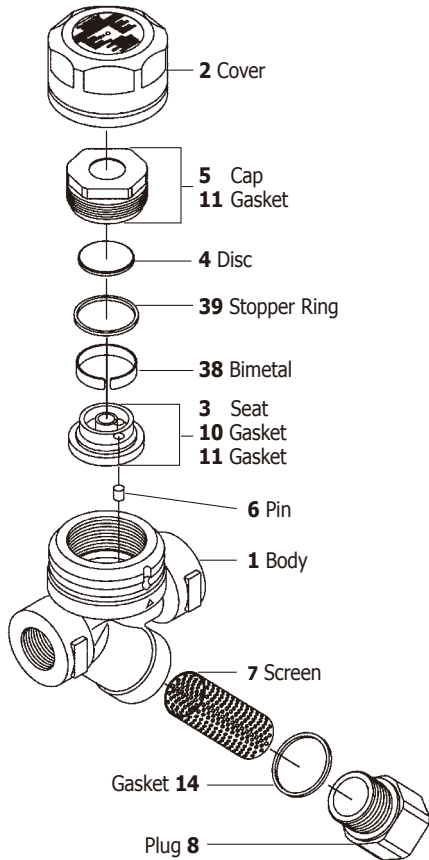
SL3

SL3-X

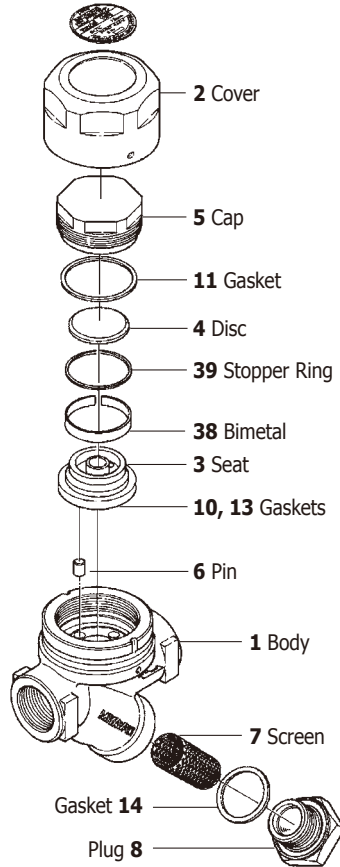


Model	Connections	Size	Max. Operating Pressure		Max. Operating Temperature		Dimensions (mm)				Dimensions (in)				Body Material	Weight				
			MPa	psig	°C	°F	L	H <sub>1</sub>	H <sub>2</sub>	W	L	H <sub>1</sub>	H <sub>2</sub>	W		kg	lb			
SV1	Screwed Rc, NPT	3/8", 1/2"	1,6	230	220	428	75	105	53	65	3.0	4.1	2.1	2.6	Forged Steel A105	1,0	2.2			
		107						4.2				1,2				2.6				
SV -	Screwed Rc, NPT	1/2"	1,6	230	220	428	110	60	65	65	4.3	6.1	2.6	Cast Iron FC250	2,4	5.3				
		3/4"													4.7	2.8	2,5	5.5		
		1"															2,7	5.9		
	Flanged JIS, ASME, DIN	1/2"						220			150	90	65		8.7	5.9	3.5	2.6	4,1	9.0
		3/4"																	4,7	10.3
		1"																	5,2	11.5
SL3	Screwed Inlet : Rc, NPT Outlet: G	1/4"	1,0	145	400	752	40	22	8	19	1.6	0.9	0.3	0.7	Stainless Steel SUS416	0,06	0.13			
SL3-X	Screwed Rc, NPT	1/4"	1,0	145	400	752	40	22	8	19	1.6	0.9	0.3	0.7		0,06	0.13			

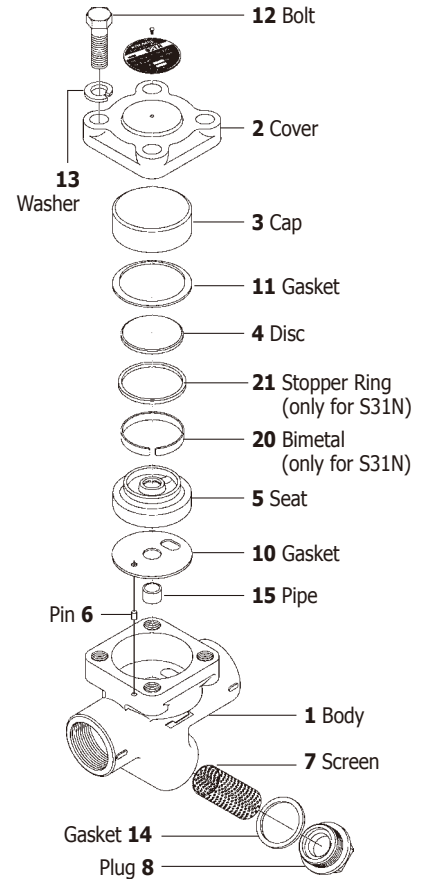
**SC31**



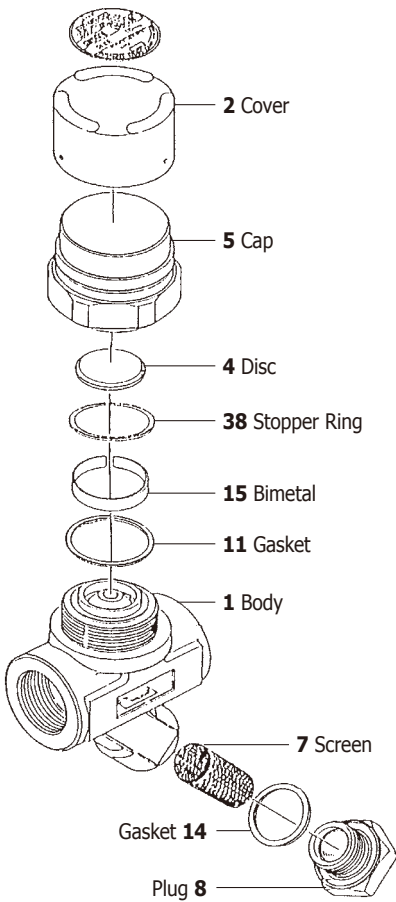
**S31N (1/2"–1")**



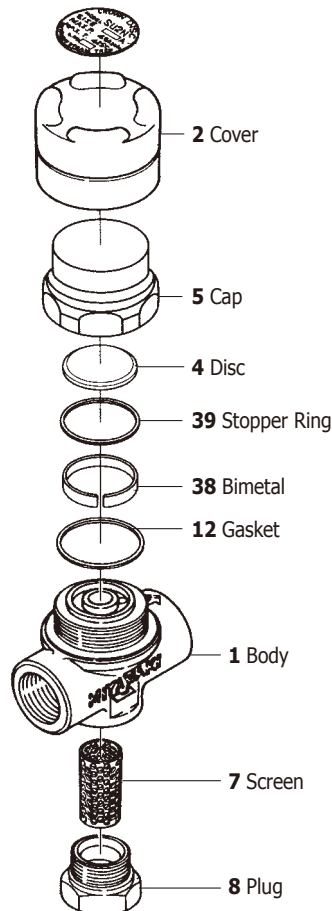
**S31N (1 1/4"–2"), SC, SF (3/4"–1")**



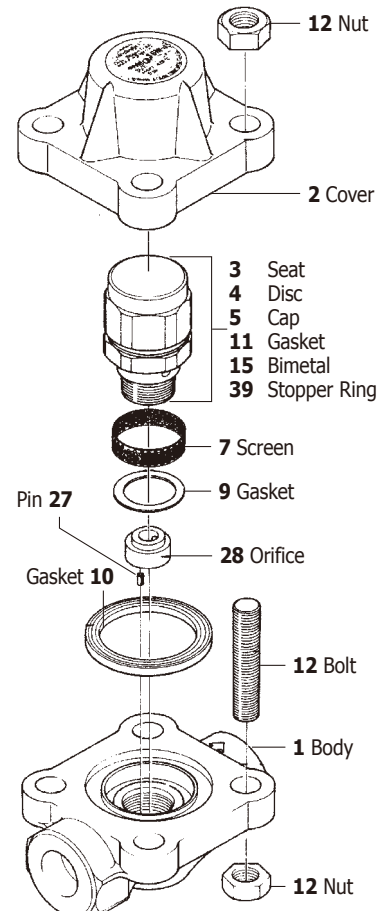
**S55N/S55H**



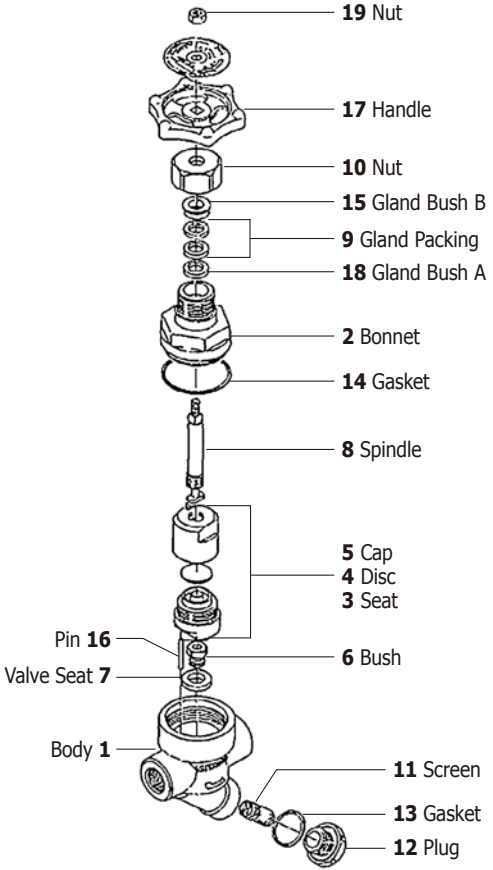
**SU2N/SU2H**



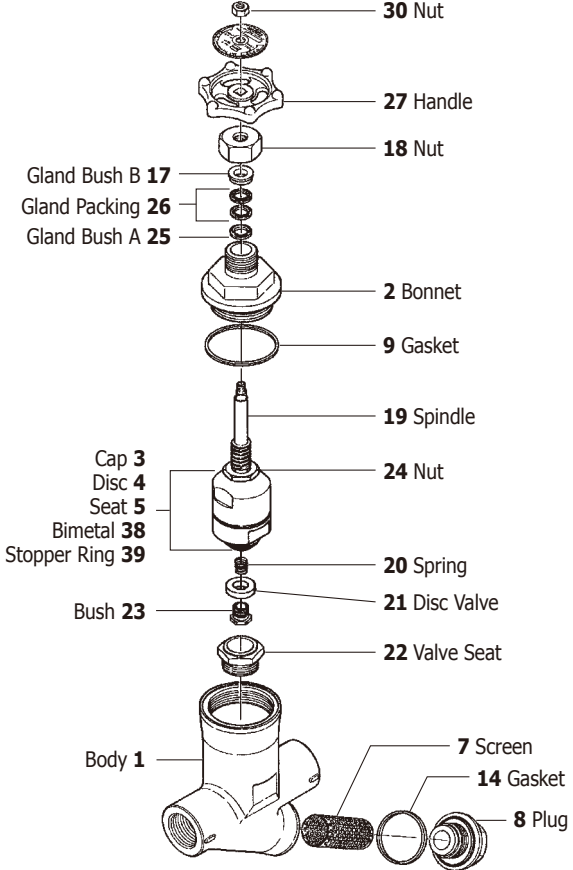
**S61N/S62N**



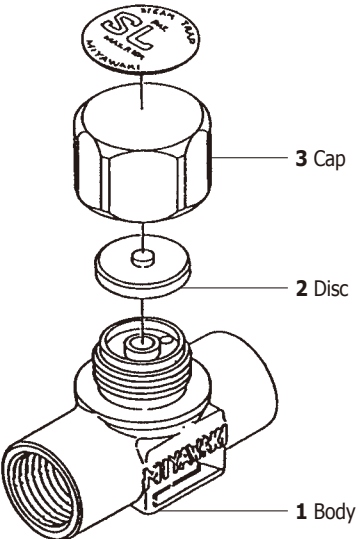
SV1



SV-N



SL3



SD1

