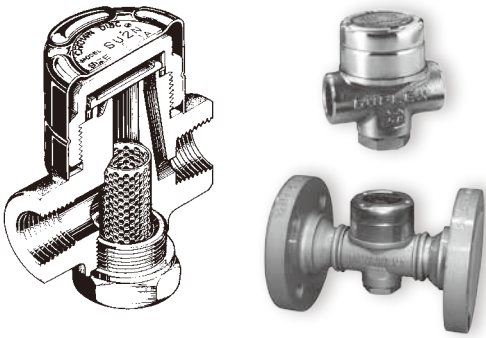
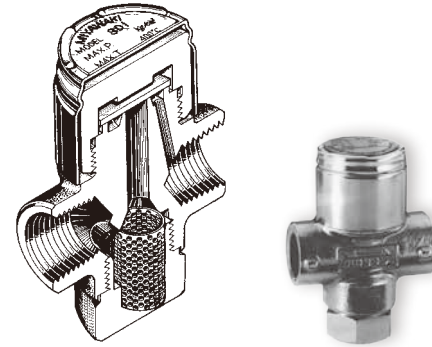


# SU2N, SU2H

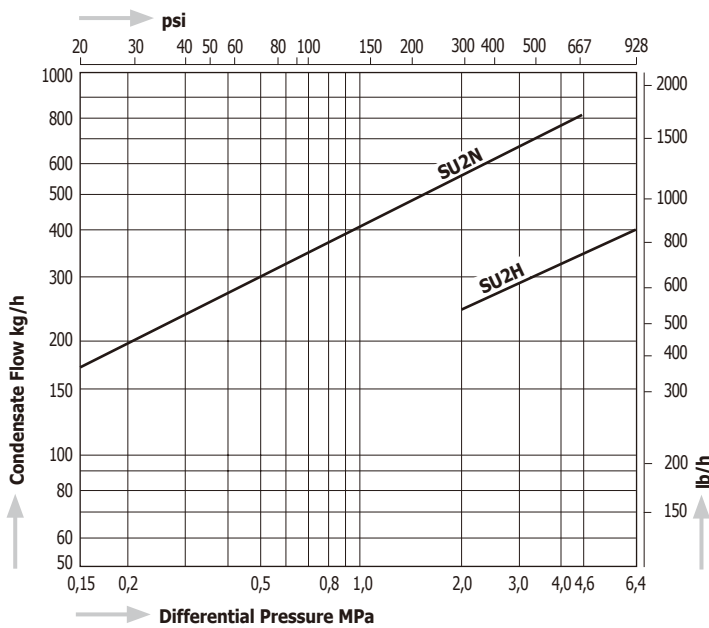


# SD1

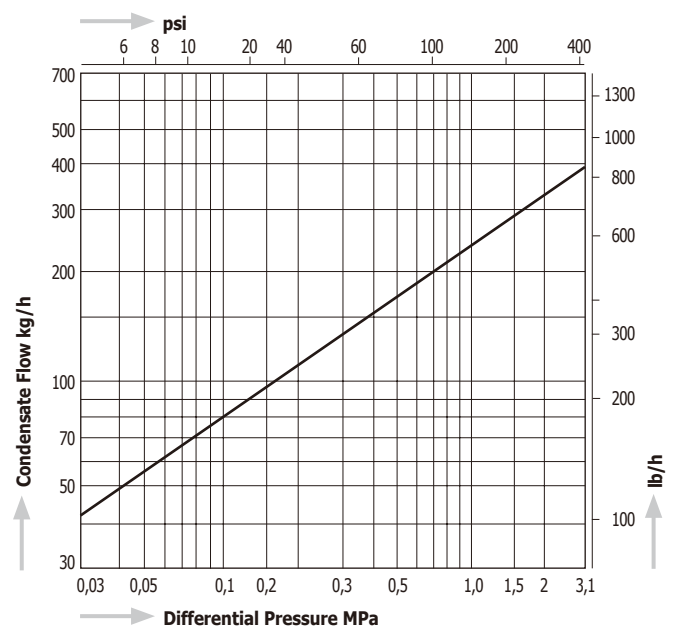


Special face-to-face dimensions available.

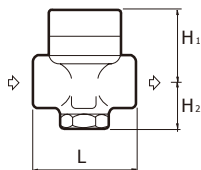
Capacity Chart SU2N, SU2H



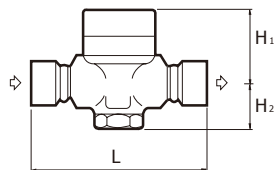
Capacity Chart SD1



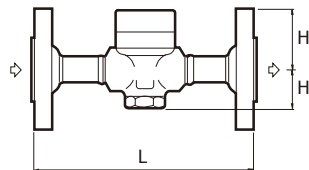
Dimensions SU2N, SU2H



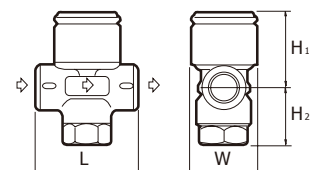
SU2NW, SU2HW



SU2NF, SU2HF

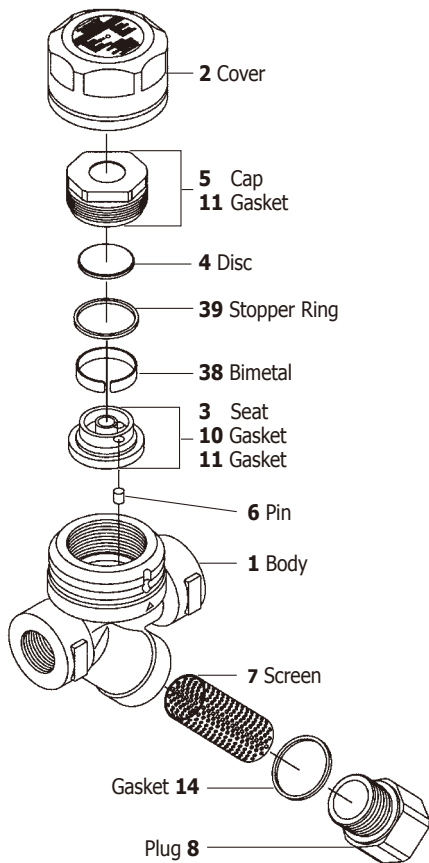


SD1

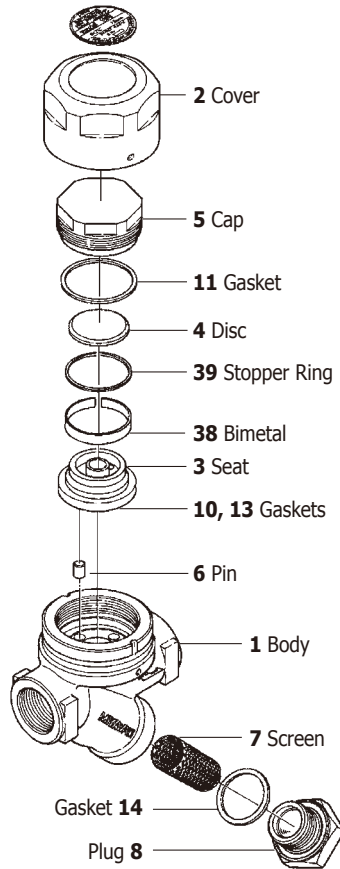


Model	Connections	Size	Max. Operating Pressure		Max. Operating Temperature		Dimensions (mm)				Dimensions (in)				Body Material	Weight						
			MPa	psig	°C	°F	L	H <sub>1</sub>	H <sub>2</sub>	W	L	H <sub>1</sub>	H <sub>2</sub>	W		kg	lb					
SU2N (SU2H)	Screwed Rc, NPT	1/2"	4,6 (6,4)	667 (928)	425	800	70	47	32	53	2.8	1.9	1.3	2.1	Stainless Steel SUS420J2	0,8	1.8					
		3/4"					75	51		3.0	2.0			0,9		2.0						
		1"																				
SU2NW (SU2HW)	Socket Weld JIS, ASME, DIN	1/2"									140	47	32	53		5.5	1.9	1.3	2.1		1,4	3.1
		3/4"																			1,3	2.9
		1"																			1,2	2.6
SU2NF (SU2HF)	Flanged JIS, ASME	1/2"									205	47	32	53		8.1	1.9	1.3	2.1	Stainless Steel SUS420J2	2,7	5.9
		3/4"																			3,7	8.1
		1"																			4,3	9.5
	Flanged DIN PN40	DN15					150	47	32	53	5.9	1.9	1.3	2.1	2,6	5.7						
		DN20									6.3				3,3	7.3						
		DN25				160								3,8	8.4							
SD1	Screwed Rc, NPT	1/4"	3,1	450	400	752	52	39	25	34	2.0	1.5	1.0	1.3	Stainless Steel SUS420J2	0,3	0.7					
		3/8"					60	41	23		2.4	1.6	0.9									
		1/2"																				

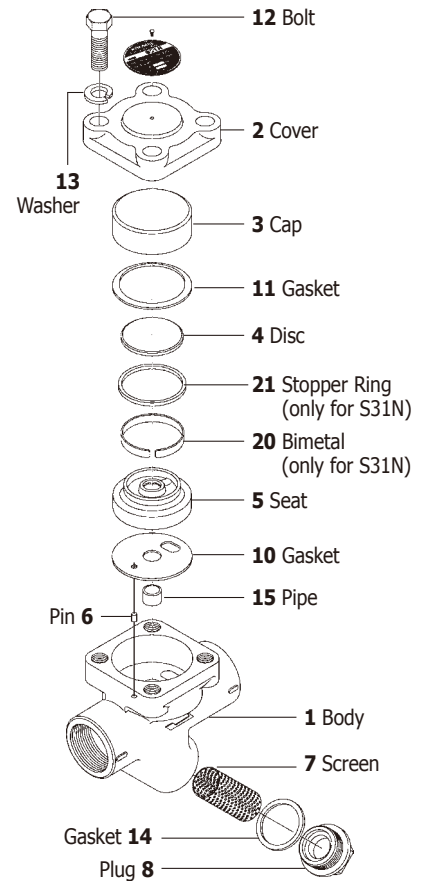
**SC31**



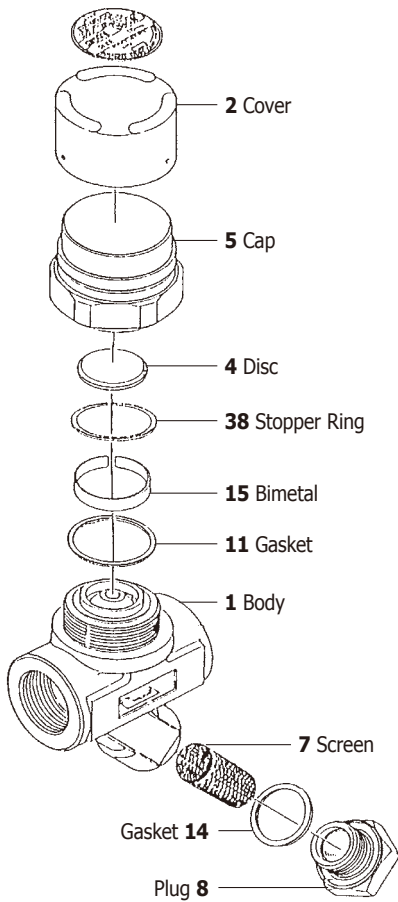
**S31N (1/2"–1")**



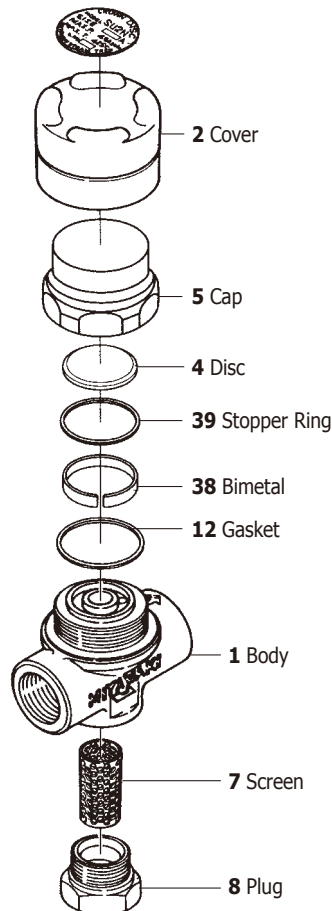
**S31N (1 1/4"–2"), SC, SF (3/4"–1")**



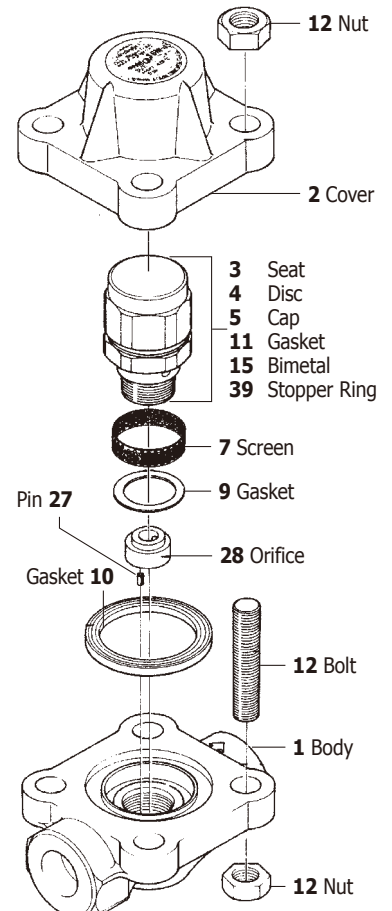
**S55N/S55H**



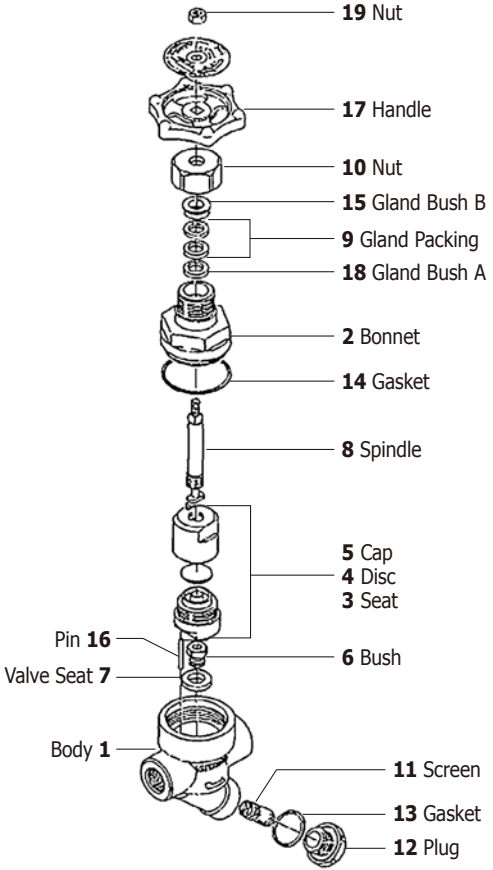
**SU2N/SU2H**



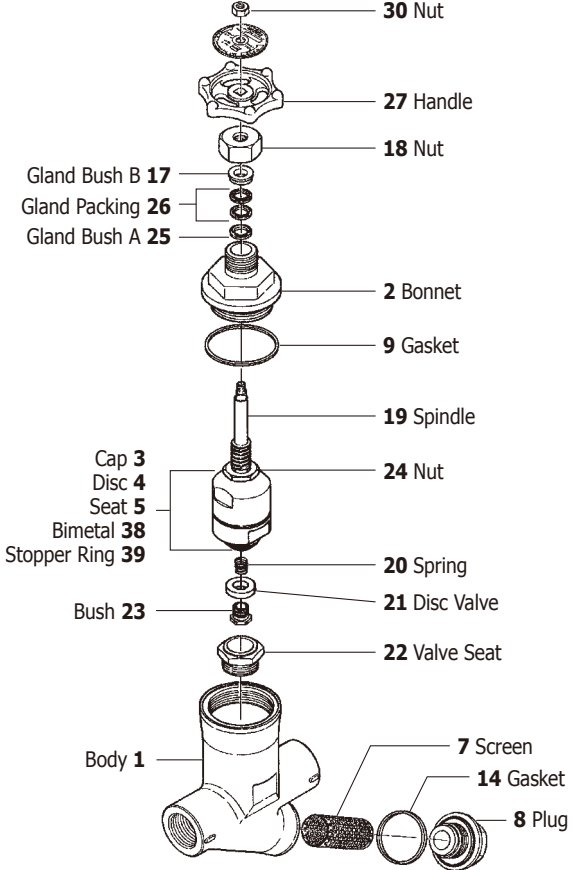
**S61N/S62N**



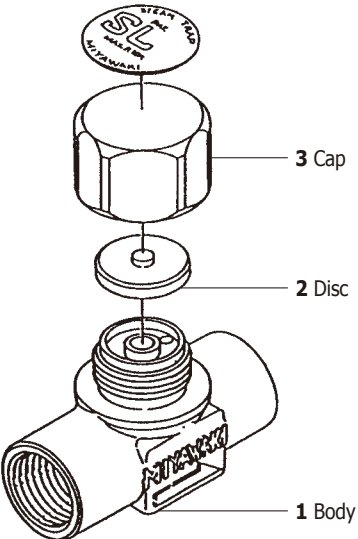
SV1



SV-N



SL3



SD1

