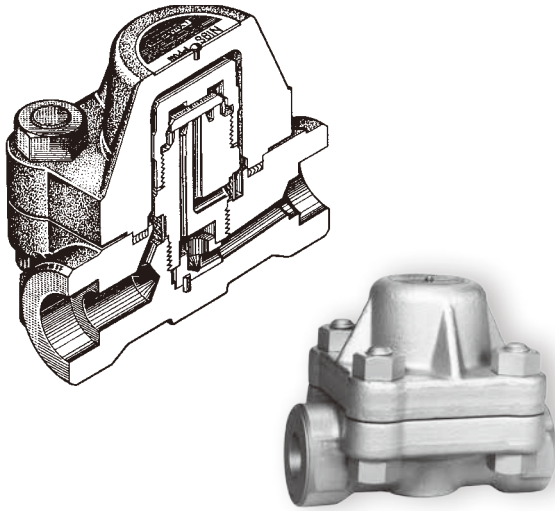
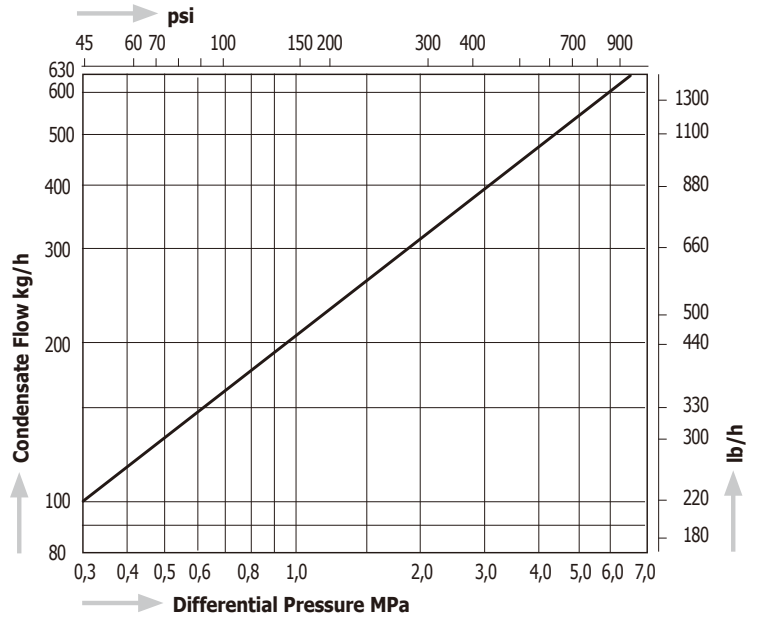


# S61N, S62N

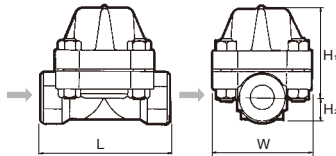


Capacity Chart S61N, S62N

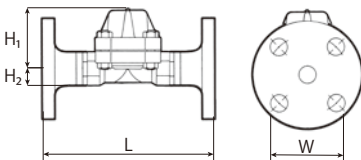


## Dimensions

### S61N, S62N



### S61NF, S62NF



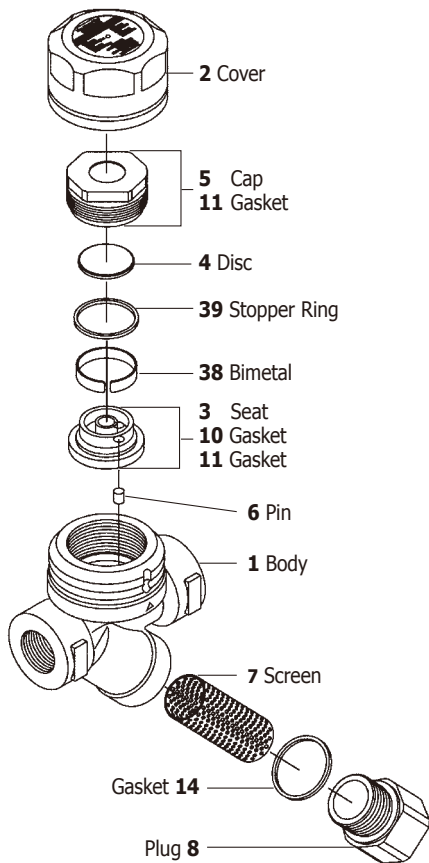
**Table 1: Dimensions L and Weight**

Model	Size (in)	JIS 30K				JIS 40K				JIS 63 K			
		mm	in	kg	lb	mm	in	kg	lb	mm	in	kg	lb
<b>S61NF</b> <b>S62NF</b>	1/2"	200	7.9	8,4	18.5	200	7.9	8,7	19.2	220	8.7	9,6	21.2
	3/4"	210	8.3	8,9	19.6	210	8.3	9,2	20.3	230	9.1	11,1	24.5
	1"	240	9.4	10,1	22.3	240	9.4	10,5	23.1	240	9.4	12,1	26.7

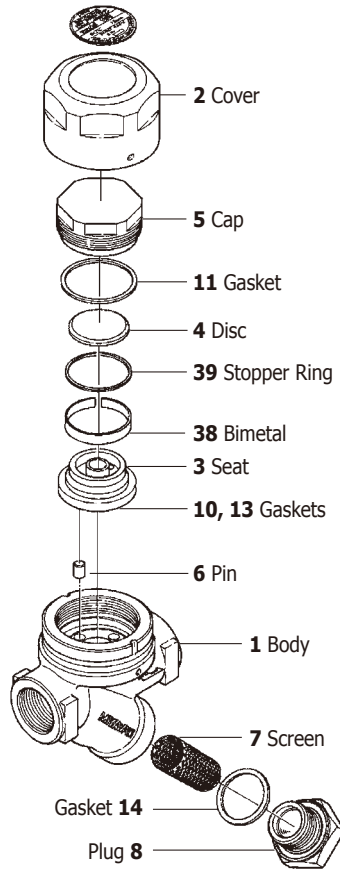
Model	Size (in)	ASME Class 300				ASME Class 600				ASME Class 900			
		mm	in	kg	lb	mm	in	kg	lb	mm	in	kg	lb
<b>S61NF</b> <b>S62NF</b>	1/2"	200	7.9	7,2	15.9	200	7.9	7,3	16.1	220	8.7	9,6	21.2
	3/4"	210	8.3	8,2	18.1	210	8.3	8,5	18.7	230	9.1	10,9	24.0
	1"	240	9.4	9,4	20.7	240	9.4	9,6	21.2	240	9.4	13,3	29.3

Model	Connections	Size	Max. Operating Pressure		Max. Operating Temperature		Dimensions (mm)				Dimensions (in)				Body Material	Weight	
			MPa	psig	°C	°F	L	H <sub>1</sub>	H <sub>2</sub>	W	L	H <sub>1</sub>	H <sub>2</sub>	W		kg	lb
<b>S61N</b> <b>(S62N)</b>	Screwed Rc, NPT	1/2"	6,5	943	425 (S62N: 475)	800 (S62N: 887)	130	90	25	100	5.1	3.5	1.0	3.9	Forged Steel A105 (S62N: A182F22)	Table 1	Table 1
		3/4"															
		1"															
<b>S61NF</b> <b>(S62NF)</b>	Flanged JIS, ASME	1/2"															
		3/4"															
		1"															
	Flanged DIN (PN63, PN100)	DN15															
		DN20															
		DN25															
<b>S61NW</b> <b>(S62NW)</b>	Socket Weld JIS, ASME, DIN	1/2"	130	90	25	100	5.1	3.5	1.0	3.9	5.1	3.5	1.0	3.9	5,7	12.6	
		3/4"															
		1"															

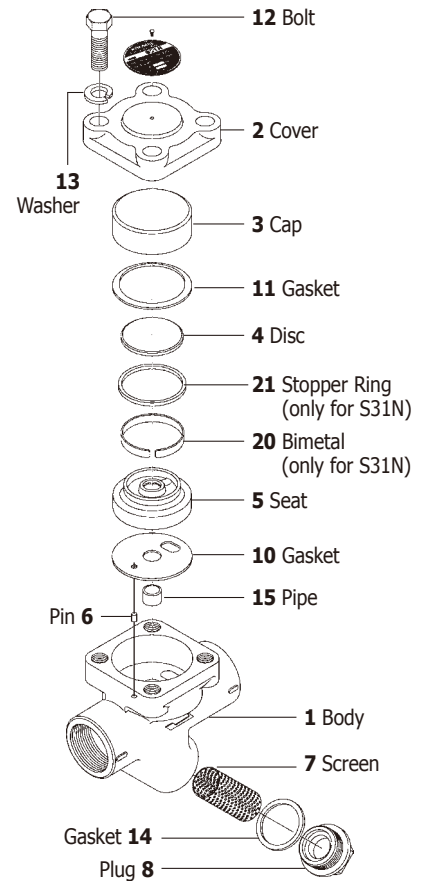
**SC31**



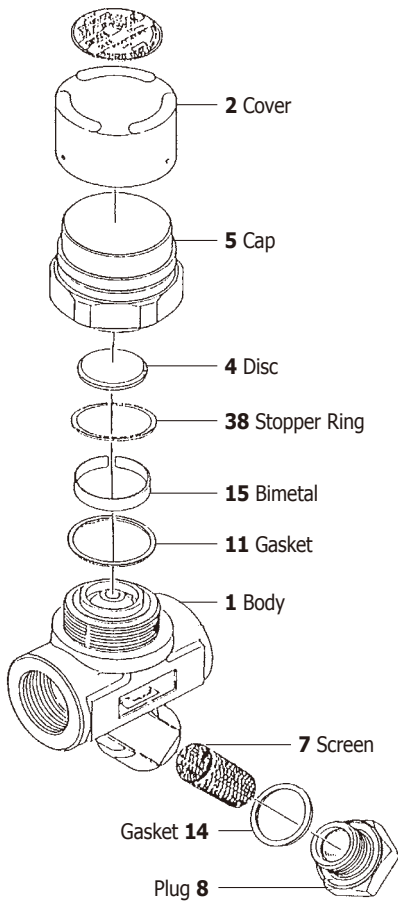
**S31N (1/2"–1")**



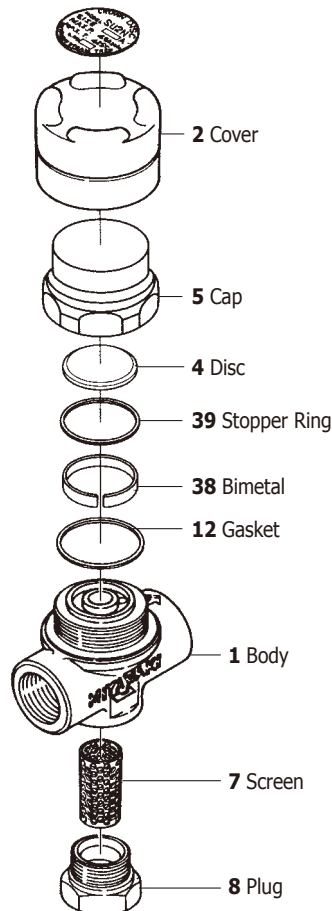
**S31N (1 1/4"–2"), SC, SF (3/4"–1")**



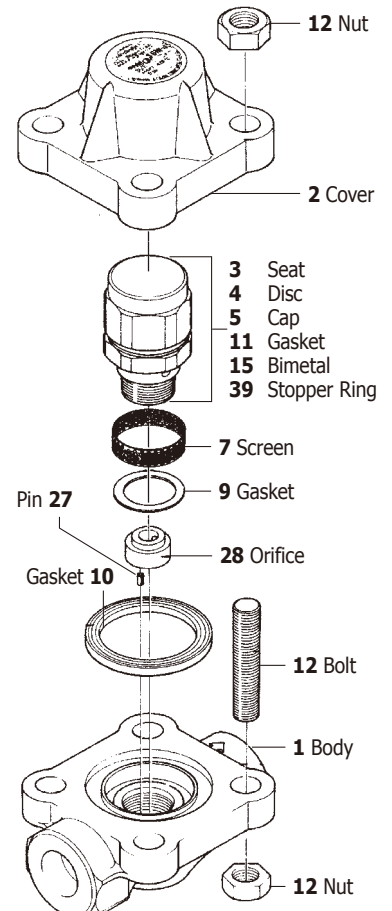
**S55N/S55H**



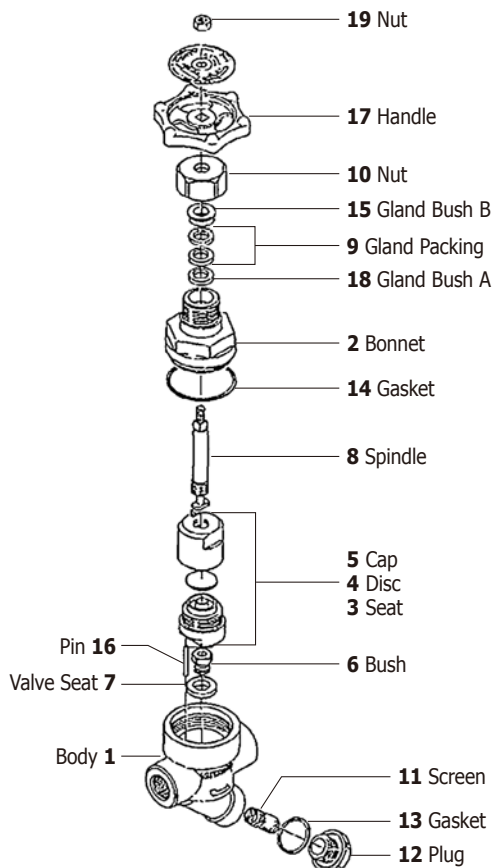
**SU2N/SU2H**



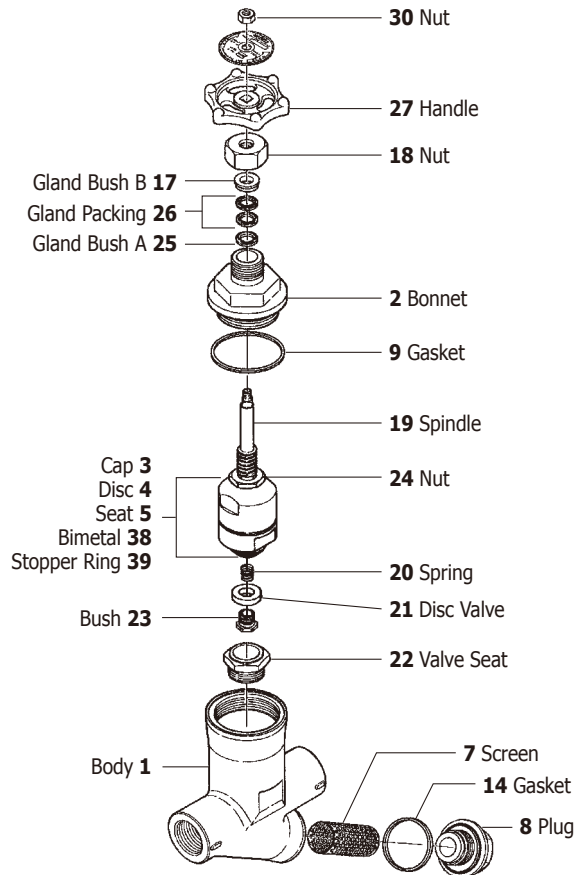
**S61N/S62N**



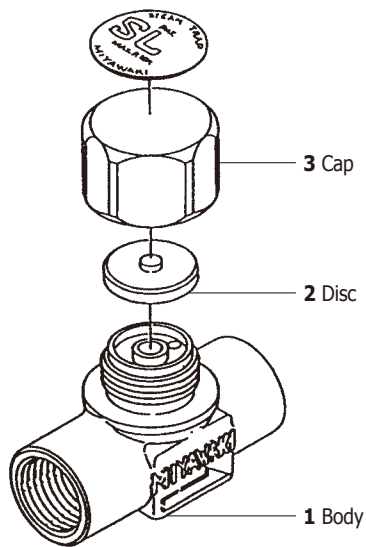
SV1



SV-N



SL3



SD1

