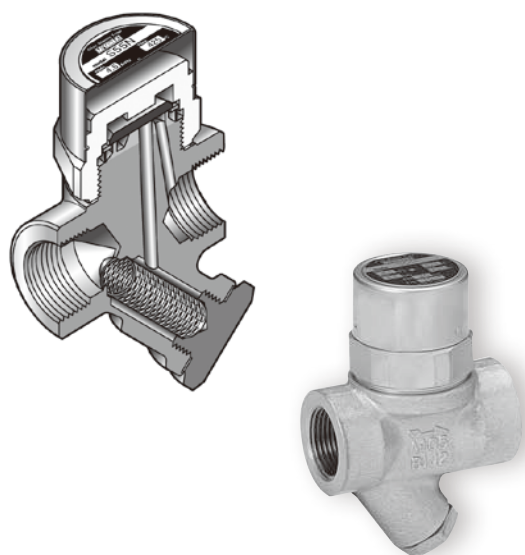
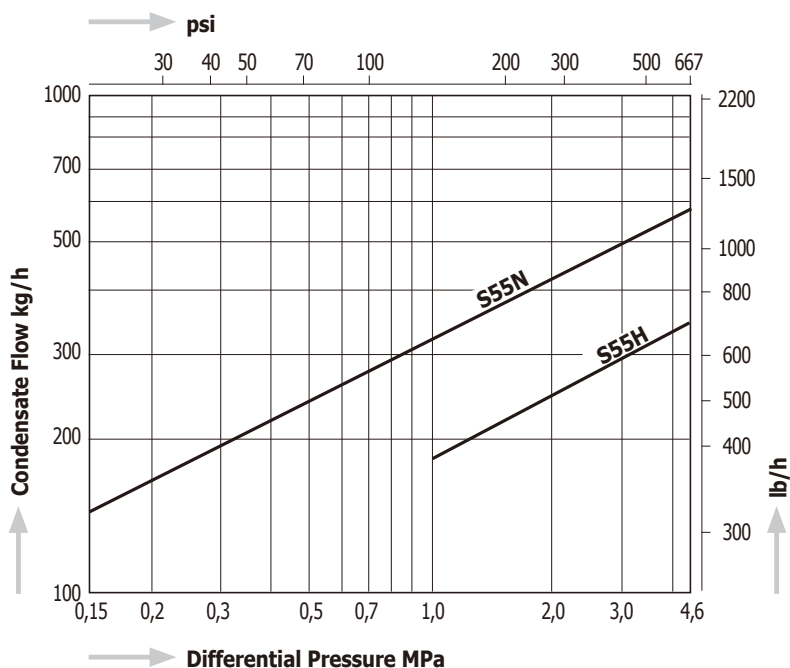


# S55N, S55H



Capacity Chart S55N, S55H



## Dimensions

S55N, S55H,  
S55NW, S55HW

S55NF, S55HF

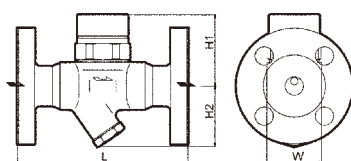
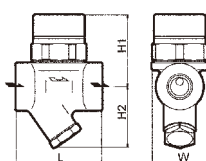
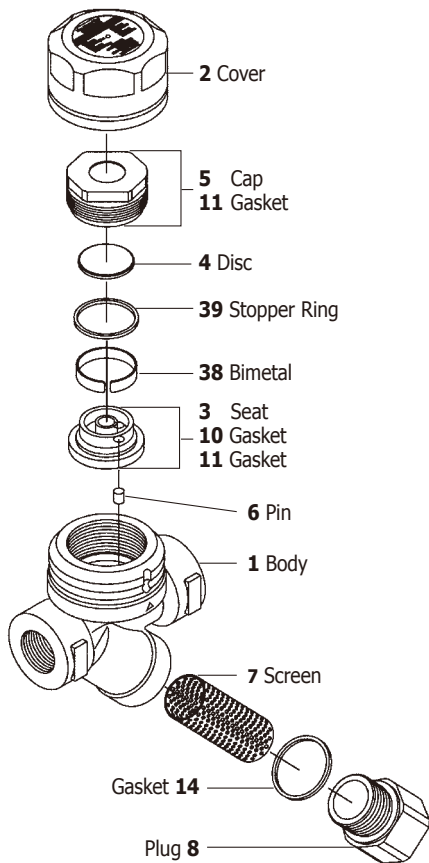


Table 1: Weights

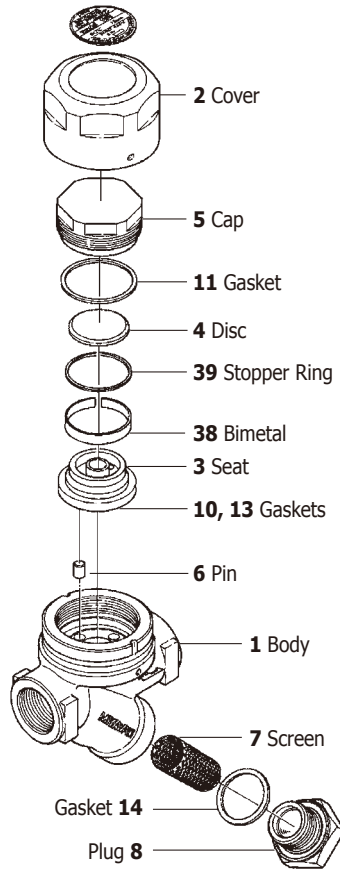
| Model          | Size (in) | JIS 10/16K |     | JIS 20K |     | JIS 30/40K |      | ASME 150lb |     | ASME 300lb |      | ASME 600lb |      | DIN PN40 |     | DIN PN100 |      |
|----------------|-----------|------------|-----|---------|-----|------------|------|------------|-----|------------|------|------------|------|----------|-----|-----------|------|
|                |           | kg         | lb  | kg      | lb  | kg         | lb   | kg         | lb  | kg         | lb   | kg         | lb   | kg       | lb  | kg        | lb   |
| S55NF<br>S55HF | 1/2"      | 2,4        | 5.3 | 2,6     | 5.7 | 3,8        | 8.4  | 2,4        | 5.3 | 2,9        | 6.4  | 3,0        | 6.6  | 3,1      | 6.8 | 3,7       | 8.2  |
|                | 3/4"      | 2,9        | 6.4 | 3,1     | 6.8 | 4,2        | 9.3  | 2,9        | 6.4 | 3,8        | 8.4  | 4,0        | 8.8  | 3,7      | 8.2 | 5,3       | 11.7 |
|                | 1"        | 4,0        | 8.8 | 4,3     | 9.5 | 5,4        | 11.9 | 4,0        | 8.8 | 5,3        | 11.7 | 5,5        | 12.1 | 4,4      | 9.7 | 6,3       | 13.9 |

| Model            | Connections                   | Size | Max. Operating Pressure |        | Max. Operating Temperature |     | Dimensions (mm) |        |        |        | Dimensions (in) |     |     |     | Body Material        | Weight |        |
|------------------|-------------------------------|------|-------------------------|--------|----------------------------|-----|-----------------|--------|--------|--------|-----------------|-----|-----|-----|----------------------|--------|--------|
|                  |                               |      | MPa                     | psig   | °C                         | °F  | L               | H1     | H2     | W      | L               | H1  | H2  | W   |                      | kg     | lb     |
| S55N<br>(S55HF)  | Screwed<br>Rc, NPT            | 1/2" | 4,6                     | 667    | 425                        | 800 | 70              | 60     | 52     | 45     | 2.8             | 2.4 | 2.0 | 1.8 | Forged Steel<br>A105 | 1,0    | 2.2    |
|                  |                               | 3/4" |                         |        |                            |     | 75              | 65     | 56     | 3.0    | 2.6             | 2.2 | 1,2 |     |                      | 2.6    |        |
|                  |                               | 1"   |                         |        |                            |     | 140             | 5.5    | Table1 | Table1 |                 |     |     |     |                      |        |        |
| S55NF<br>(S55HF) | Flanged<br>JIS, ASME          | 1/2" |                         |        |                            |     | 165             | 60     | 52     | 45     | 6.5             | 2.4 | 2.0 | 1.8 |                      | Table1 | Table1 |
|                  |                               | 3/4" |                         |        |                            |     | 175             | 6.9    | Table1 | Table1 |                 |     |     |     |                      |        |        |
|                  |                               | 1"   |                         |        |                            |     | 150             | 5.9    | Table1 | Table1 |                 |     |     |     |                      |        |        |
| S55NF<br>(S55HF) | Flanged<br>DIN                | DN15 |                         |        |                            |     | 160             | 6.3    | Table1 | Table1 |                 |     |     |     |                      |        |        |
|                  |                               | DN20 |                         |        |                            |     | 70              | 60     | 52     | 45     | 2.8             | 2.4 | 2.0 | 1.8 |                      | 1,0    | 2.2    |
| S55NW<br>(S55HW) | Socket Weld<br>JIS, ASME, DIN | 1/2" |                         |        |                            |     | 75              | 65     | 56     | 3.0    | 2.6             | 2.2 | 1,2 | 2.6 |                      |        |        |
|                  |                               | 3/4" |                         |        |                            |     | Table1          | Table1 |        |        |                 |     |     |     |                      |        |        |
|                  |                               | 1"   | Table1                  | Table1 |                            |     |                 |        |        |        |                 |     |     |     |                      |        |        |

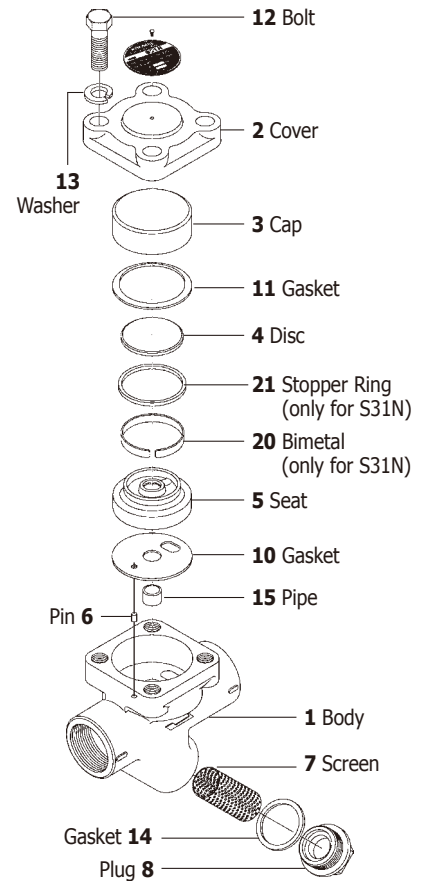
**SC31**



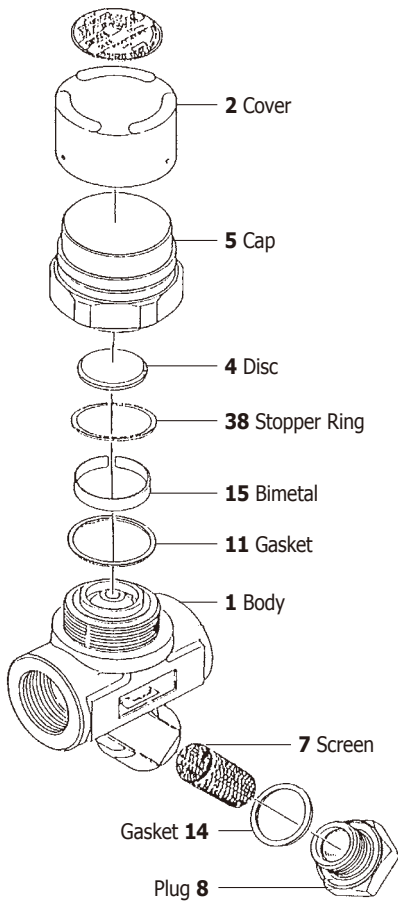
**S31N (1/2"–1")**



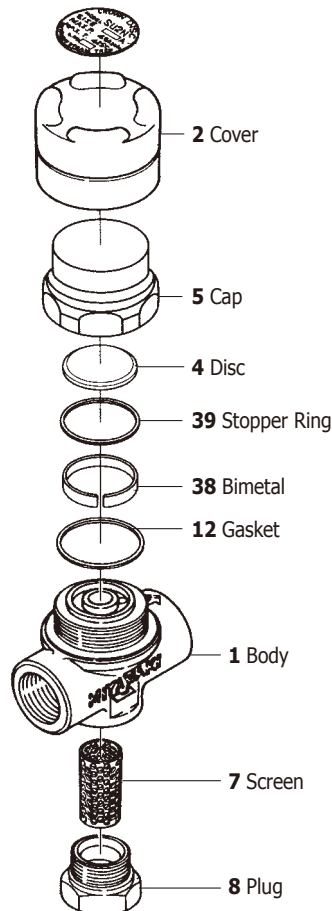
**S31N (1 1/4"–2"), SC, SF (3/4"–1")**



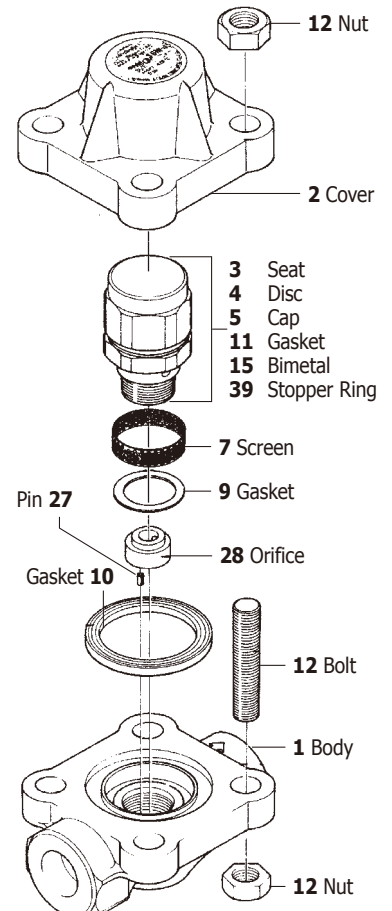
**S55N/S55H**



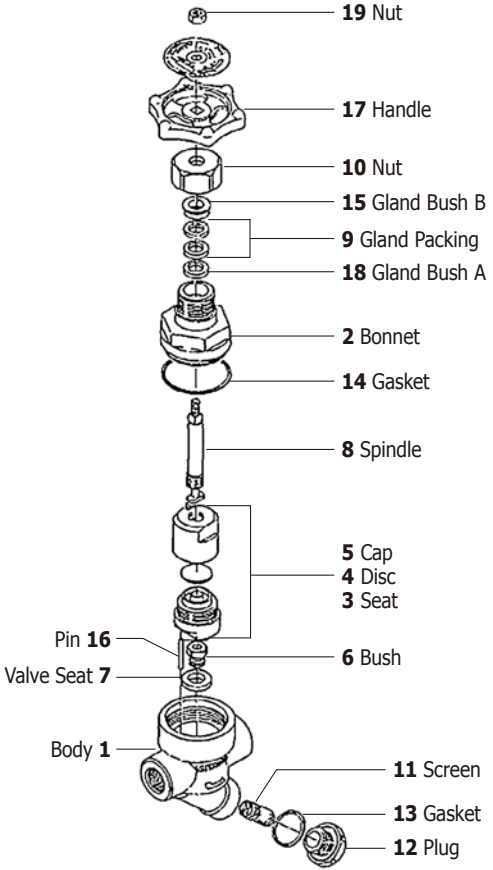
**SU2N/SU2H**



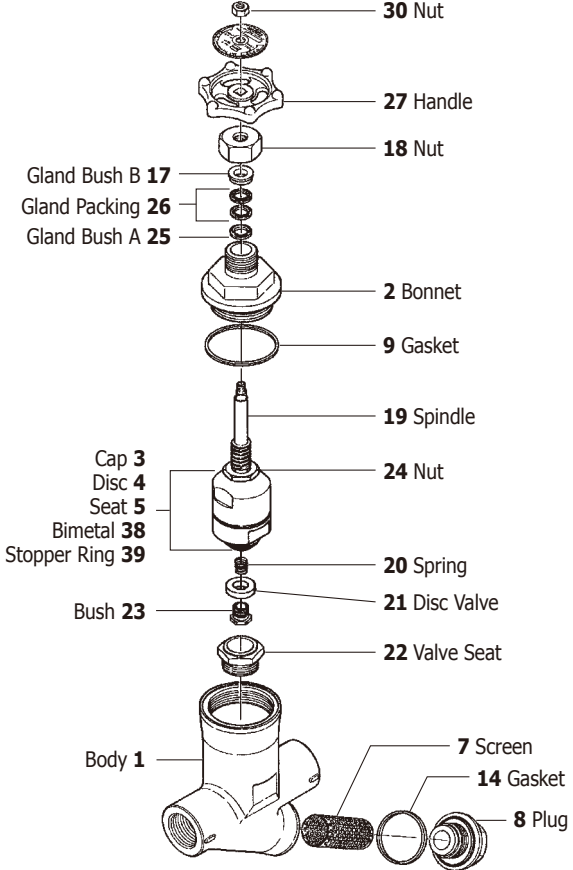
**S61N/S62N**



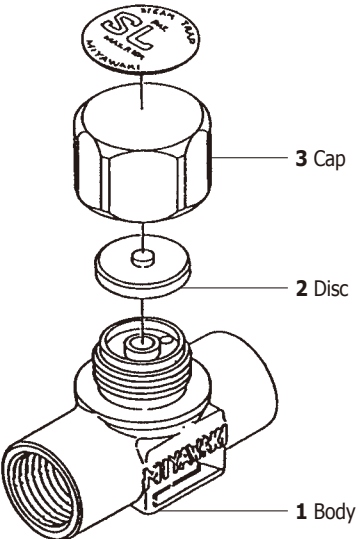
SV1



SV-N



SL3



SD1

