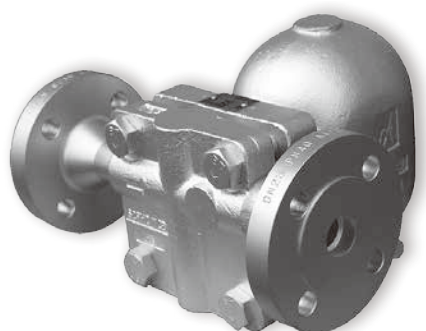
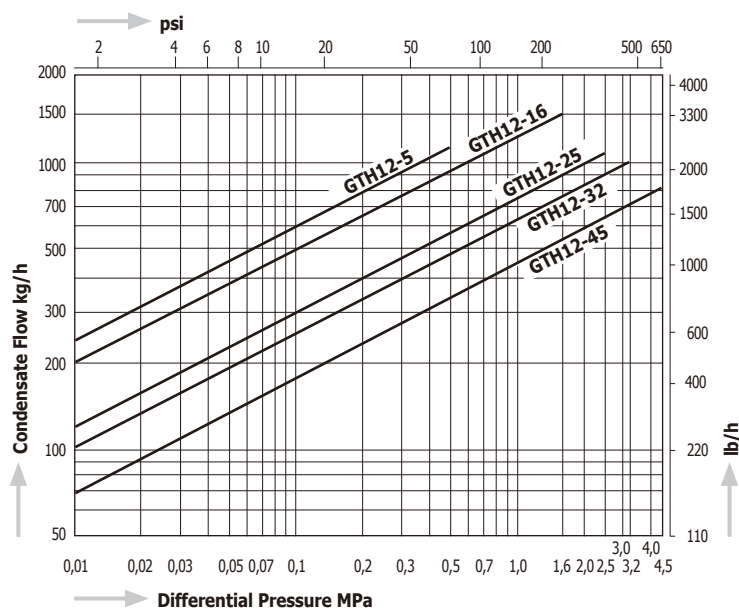


# GTH12

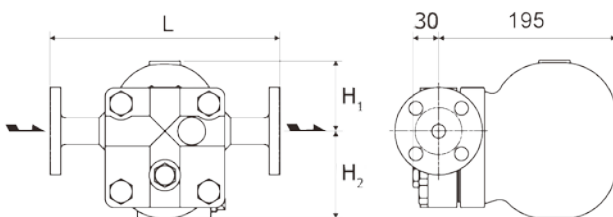


Capacity Chart GTH12

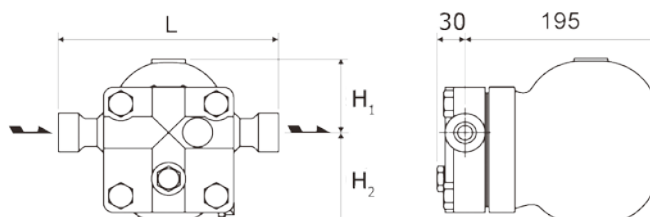


## Dimensions

**GTH12-F** Flanged



**GTH12** Screwed  
**GTH12-W** Socket Weld



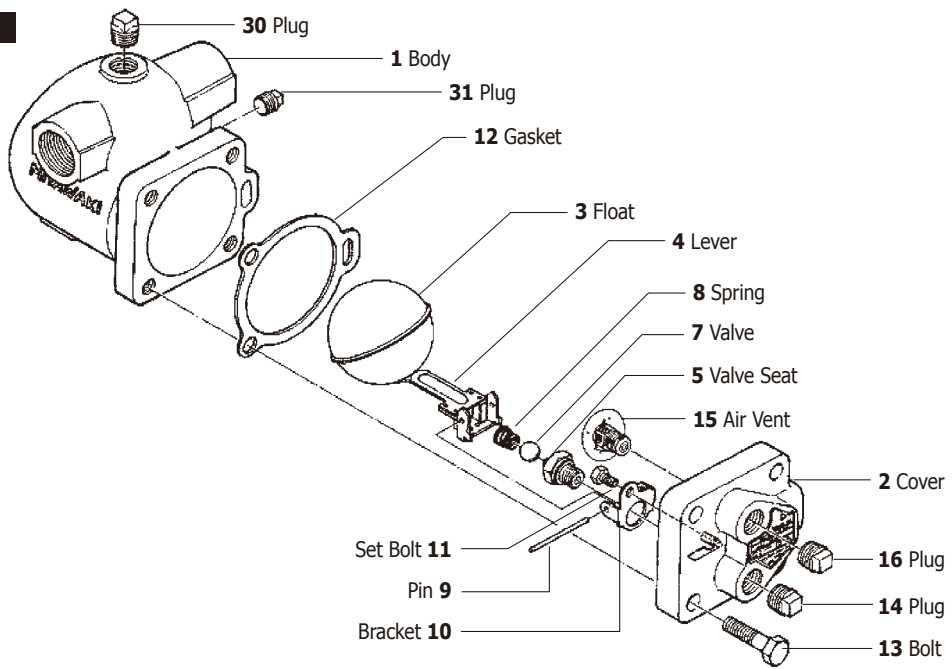
Model	Connections	Size	Max. Operating Pressure		Max. Differential Pressure, PMX		Max. Operating Temperature, TMO		Dimensions (mm)			Dimensions (in)			Body Material	Weight	
			MPa	psig	MPa	psig	°C	°F	L	H <sub>1</sub>	H <sub>2</sub>	L	H <sub>1</sub>	H <sub>2</sub>		kg	lb
<b>GTH12- 5</b>	Screwed Rc, NPT	½" - 1"	3,2 *	464 *	0,5	73	400 *	752 *	220	75	95	8.7	3.0	3.7	Cast Steel SCPH2	~ 11,7	~ 25.8
<b>GTH12- 16</b>					1,6	230											
<b>GTH12- 25</b>					2,5	363											
<b>GTH12- 32</b>					3,2	464											
<b>GTH12- 45</b>			5,0	725	4,5	652	425	800									
<b>GTH12- 5F</b>	Flanged JIS, ASME, DIN	½" - 1"	3,2 *	464 *	0,5	73	400 *	752 *	250	75	95	9.8	3.0	3.7		~ 15,2	~ 33.5
<b>GTH12- 16F</b>					1,6	230											
<b>GTH12- 25F</b>					2,5	360											
<b>GTH12- 32F</b>					3,2	464											
<b>GTH12- 45F</b>			5,0	725	4,5	652	425	800									
<b>GTH12- 5W</b>	Socket Weld JIS, ASME, DIN	½" - 1"	3,2 *	464 *	0,5	73	400 *	752 *	220	75	95	8.7	3.0	3.7	~ 11,7	~ 25.8	
<b>GTH12- 16W</b>					1,6	230											
<b>GTH12- 25W</b>					2,5	360											
<b>GTH12- 32W</b>					3,2	464											
<b>GTH12- 45W</b>			5,0	725	4,5	652	425	800									

\*PMO 5,0 MPa and TMO 425 °C is available as special design.

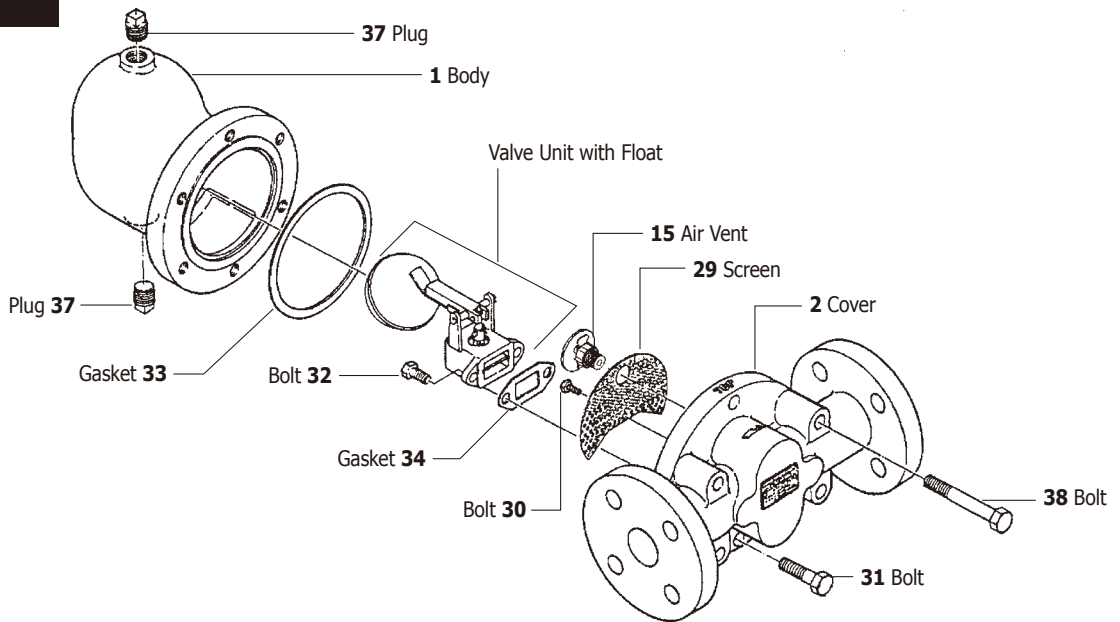
A vertical version and Stainless Steel as body material are available as special design.

For more details, please contact MIYAWAKI Inc. or an authorized representative.

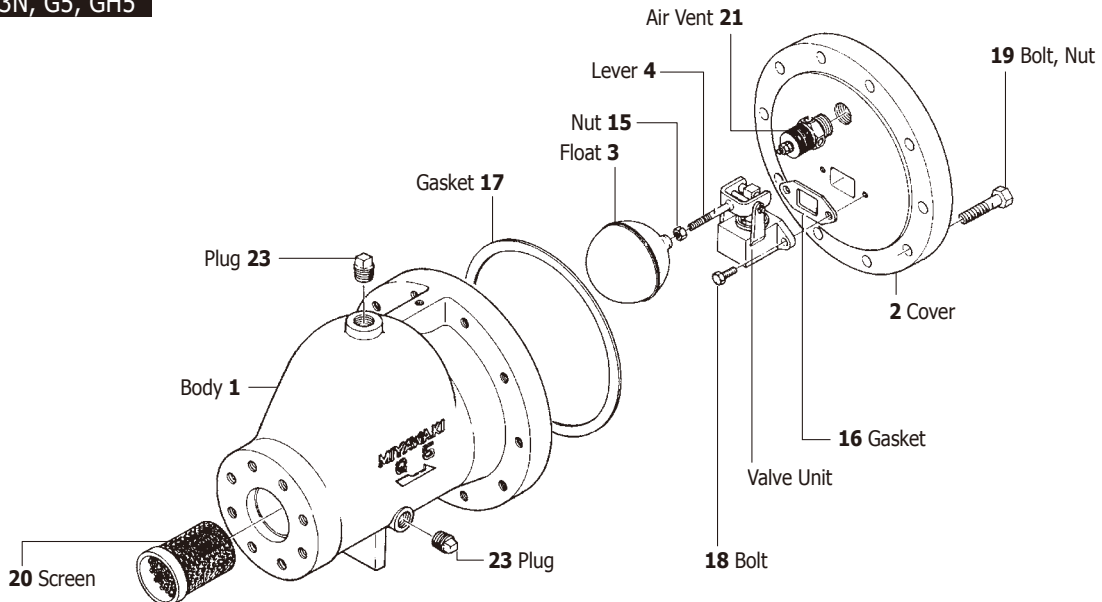
**G11N/G12N**



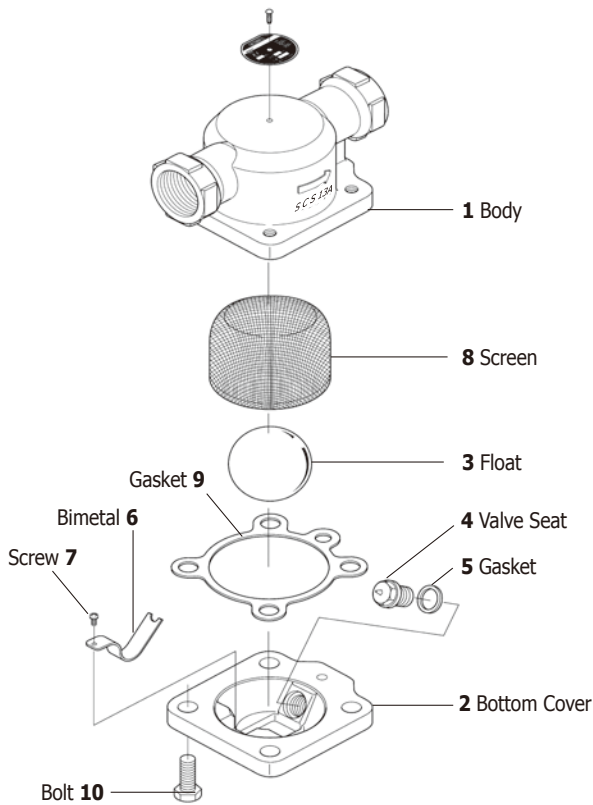
**G15N**



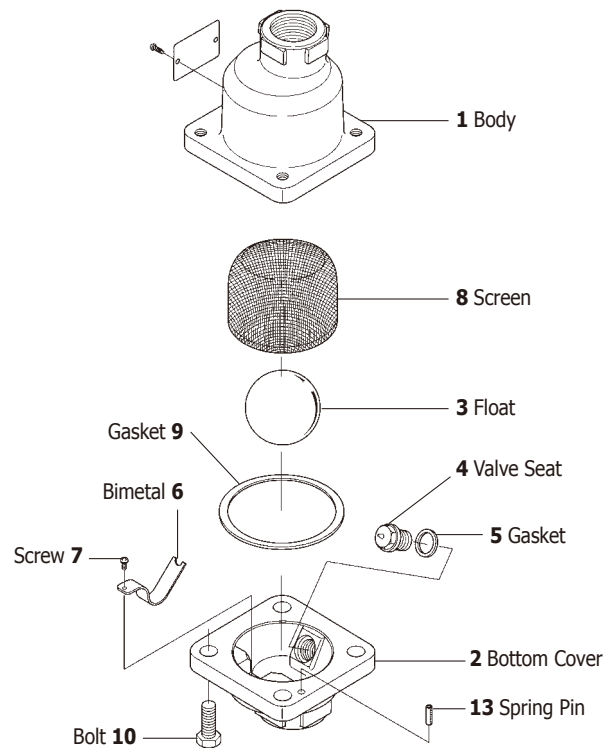
**G3N, GH3N, G5, GH5**



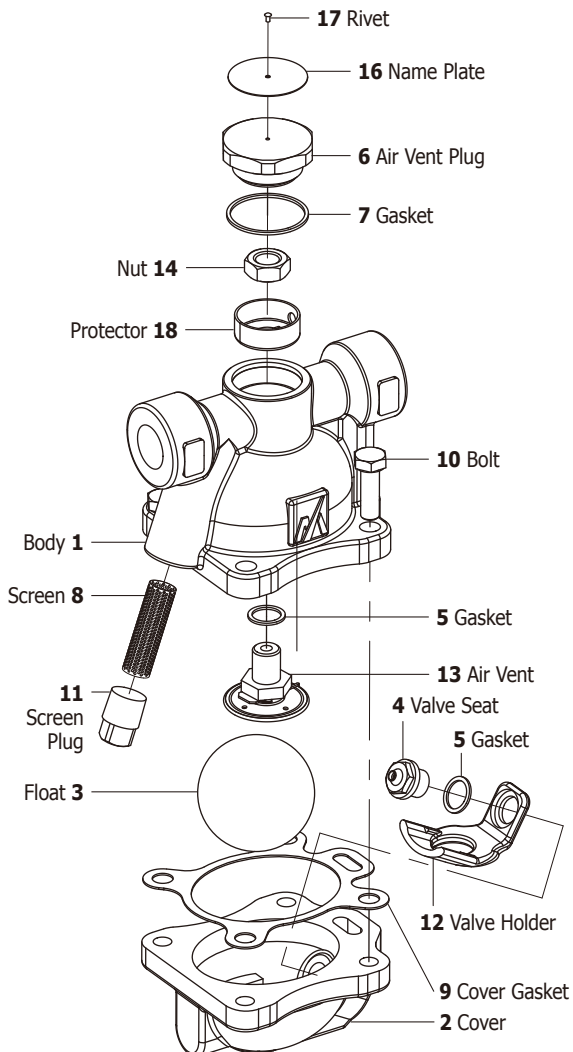
GC1



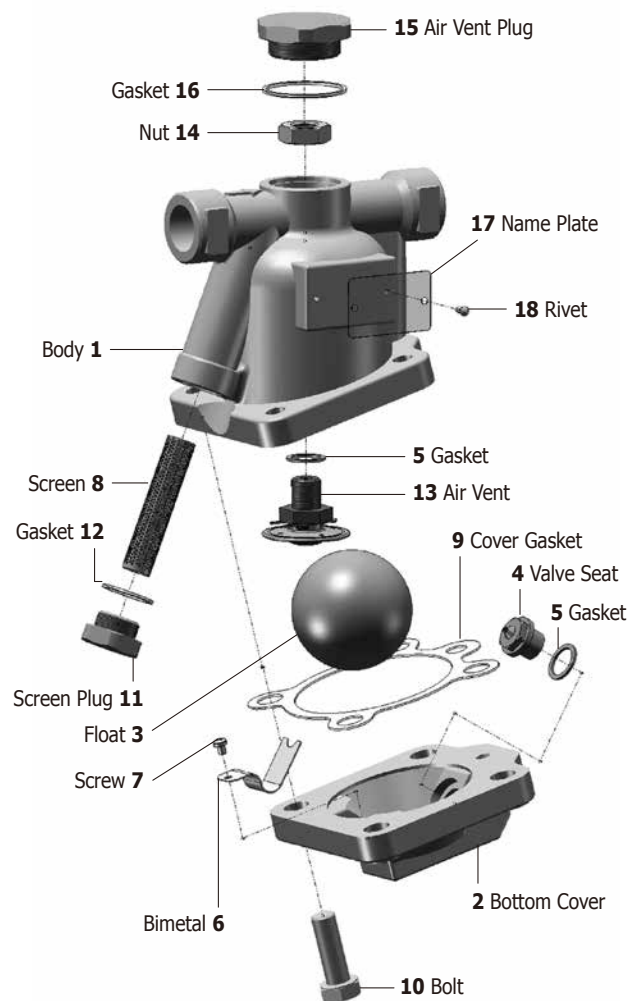
GC1V



G20N



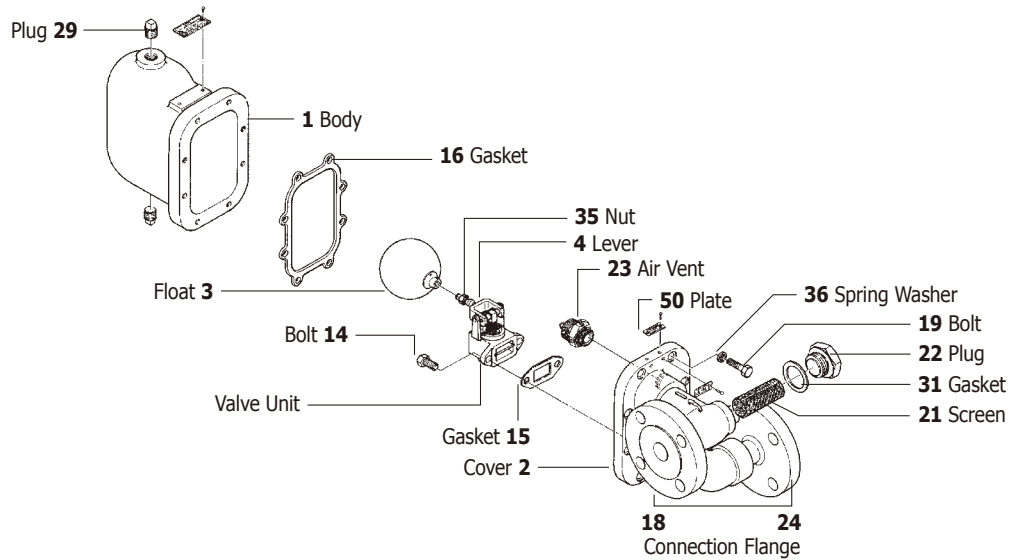
GC20



**GH2**

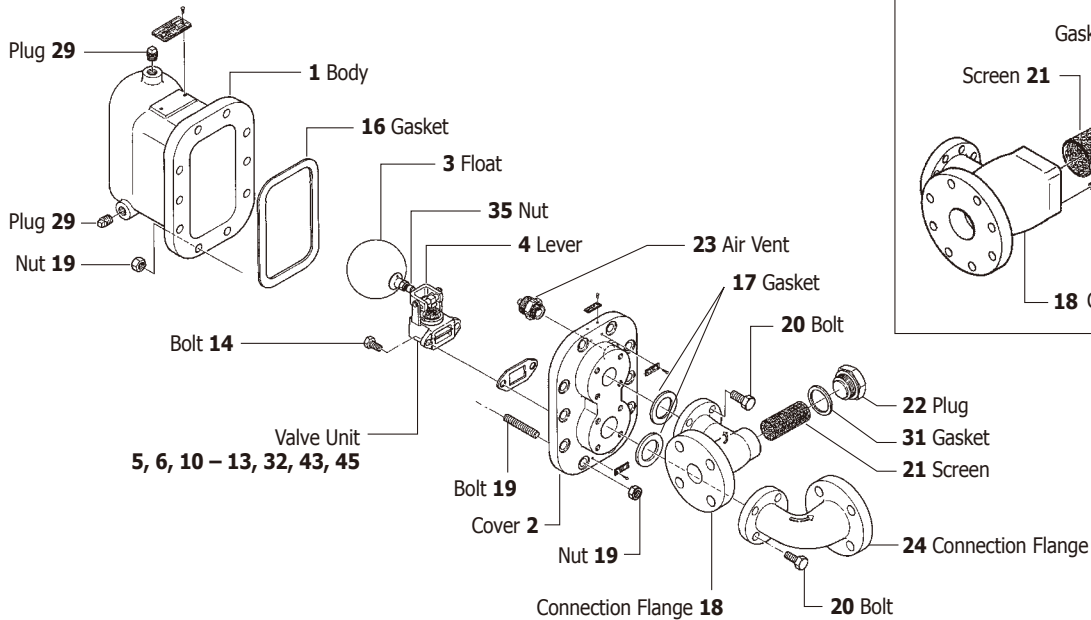
**Valve Unit**

- 5 Valve Seat
- 6 Valve
- 7 Holder
- 8 Lever Nut
- 9 Nut
- 10 Connector
- 11 Nut
- 12 Guide Wing
- 13 Pin
- 32 Baffle Plate
- 39 Pin
- 43 Shaft
- 44 Collar
- 45 Split Pin
- 47 Spring Pin

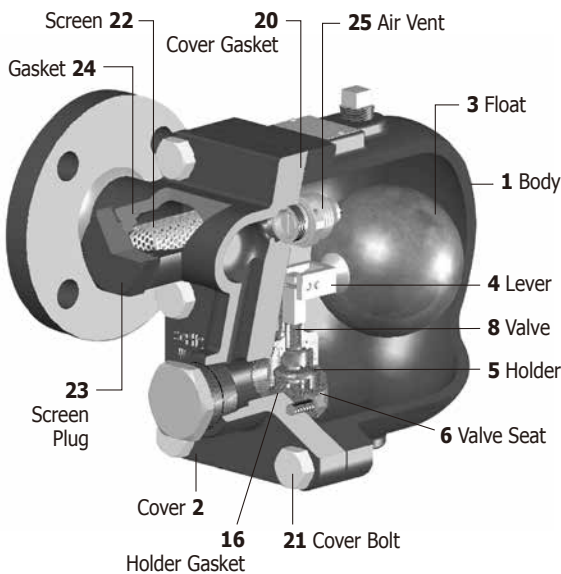


**GH4, GH6, GH8**

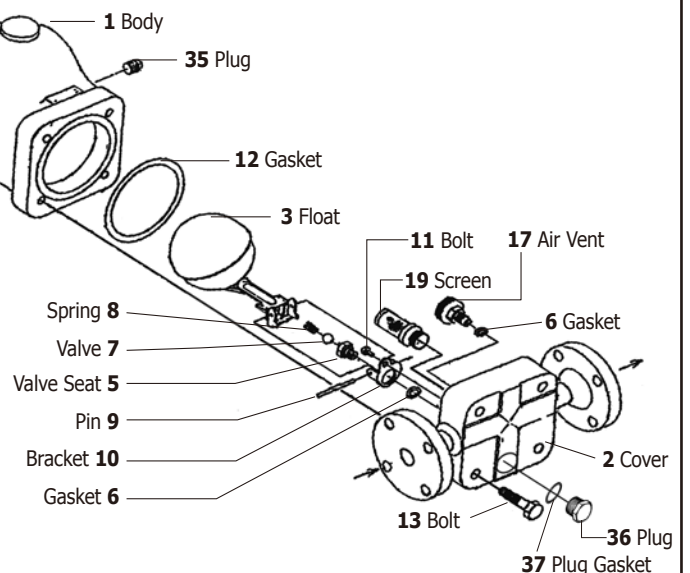
**GH8 only**



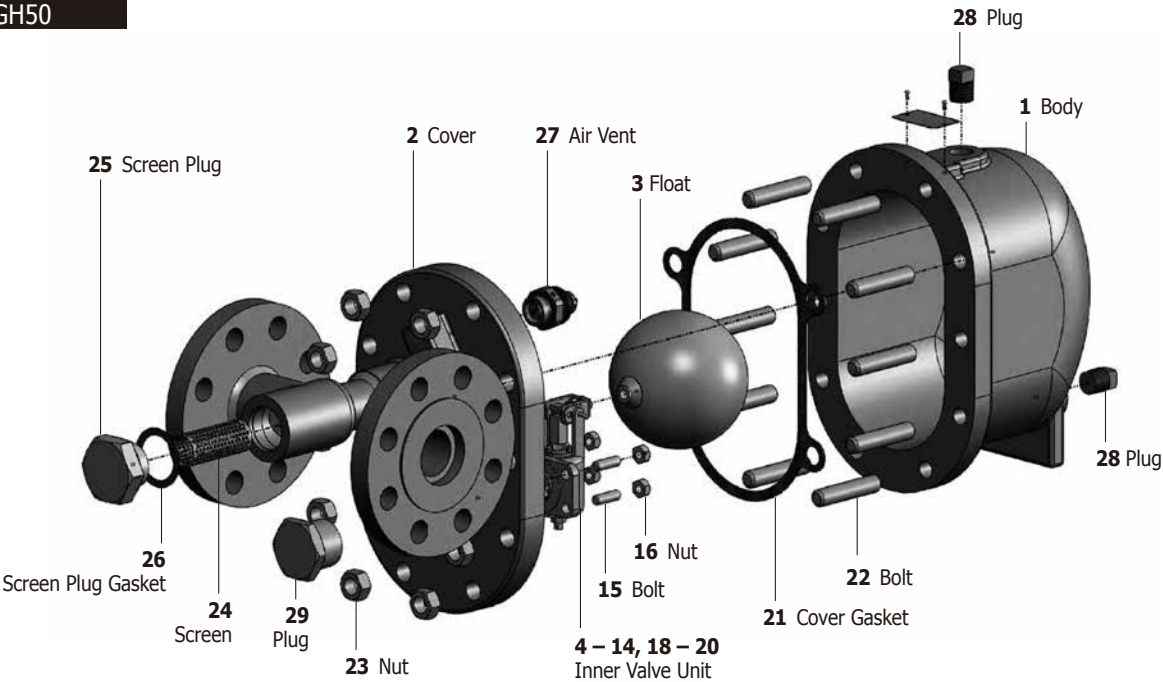
**GH40**



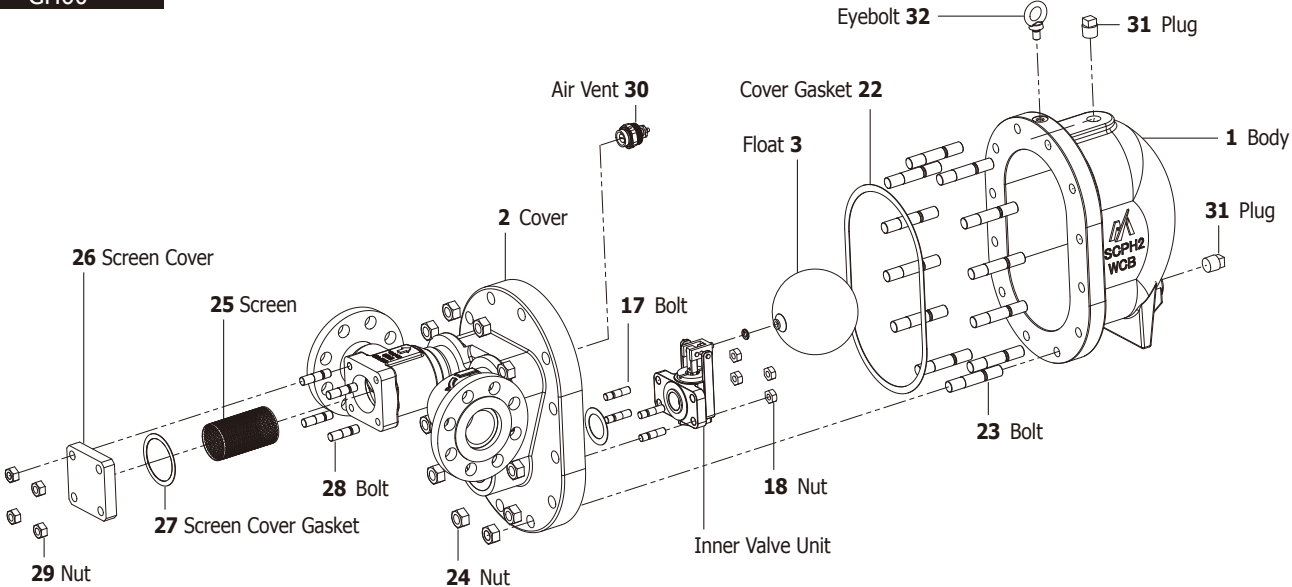
**GTH12**



**GH50**



**GH60**



**GH70**

