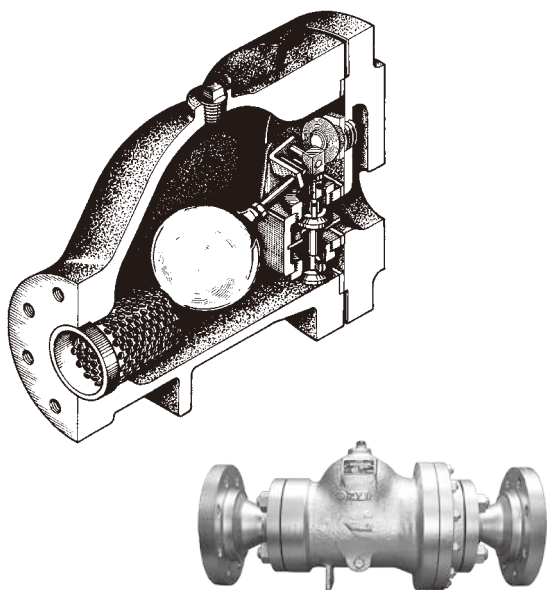
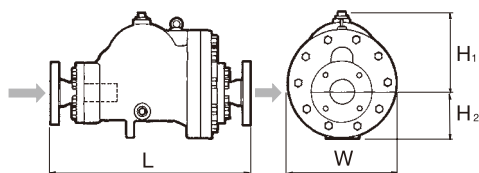


G3N, G5 GH3N, GH5



Dimensions **G3N-R, G5-R, GH3N-R, GH5-R**



Capacity Chart

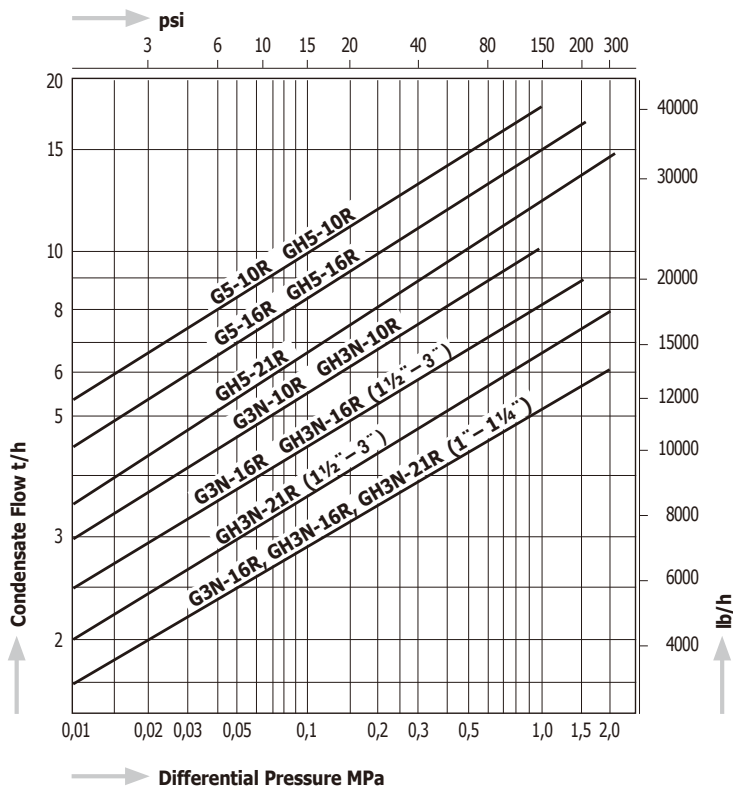


Table 1: Dimensions (ASME and DIN)

Model	Size	Flange Standards		L (mm)	L (in)
G3N-R	1" - 1½"	ASME 150 lb / 300 lb RF	DIN PN16 (DN25 / DN32 / DN40)	437	17.2
	2"		DIN PN16 (DN50)	467	18.4
	2½", 3"		DIN PN16 (DN65 / DN80)	497	19.6
GH3N-R	1" , 1¼"	ASME 150 lb / 300 lb RF	DIN PN40 (DN25 / DN32)	457	18.0
	1½"		DIN PN40 (DN40)	477	18.8
	2"		DIN PN40 (DN50)	487	19.2
	2½", 3"		DIN PN40 (DN65 / DN80)	517	20.4
G5-R	2"	ASME 150 lb / 300 lb RF	DIN PN16 (DN50)	540	21.3
	2½", 3"		DIN PN16 (DN65 / DN80)	570	22.4
	4"		DIN PN16 (DN100)	600	23.6
GH5-R	2"	ASME 150 lb / 300 lb RF	DIN PN40 (DN50)	550	21.7
	2½", 3"		DIN PN40 (DN65 / DN80)	580	22.8
	4"		DIN PN40 (DN100)	620	24.4

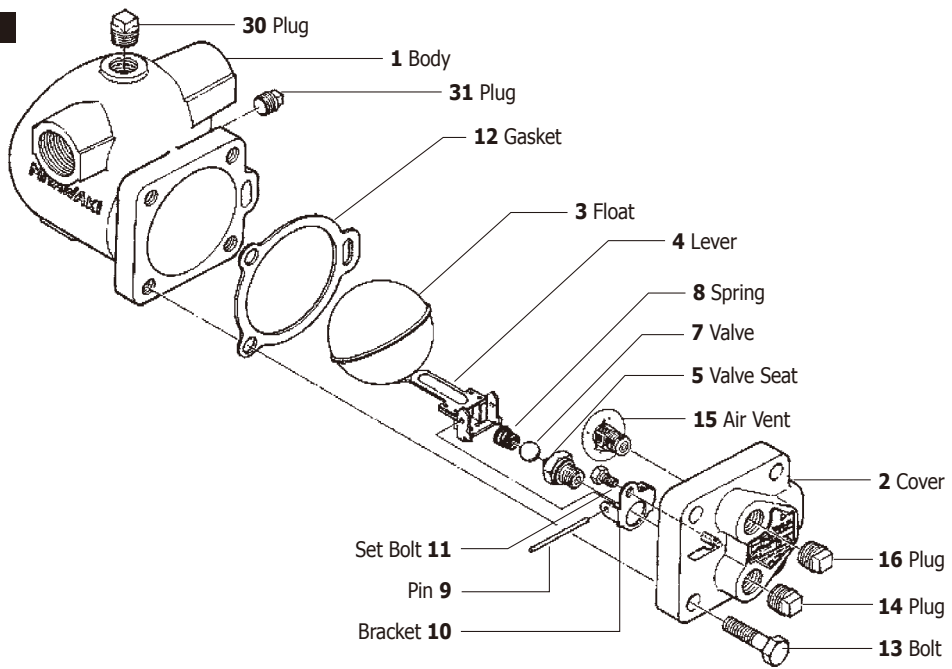
Model	Connections	Size	Max. Operating Pressure		Max. Operating Temperature		Dimensions (mm)				Dimensions (in)			Body Material	Weight			
			MPa	psig	°C	°F	L	H1	H2	W	H1	H2	W		kg	lb		
G3N - 10R 16R	Flanged JIS, ASME, DIN	1½" - 3"	1,0	145	235	455	Table 1 (*1)	140	95	198	5.5	3.7	7.8	Ductile Cast Iron FCD 450	28 - 31 (*2)		62 - 68 (*2)	
		2"	1,6	230											205	110	270	8.1
2"		1,6	230	139				106	212	5.5	4.2	8.3	38 - 50 (*2)					
2"		2,1	305										400		752	200	115	270
2"		1,6	230	2"	2,1	305												
2"		1,6	230															
2"		2,1	305															

(*1) Please look at our technical drawings for JIS dimensions.

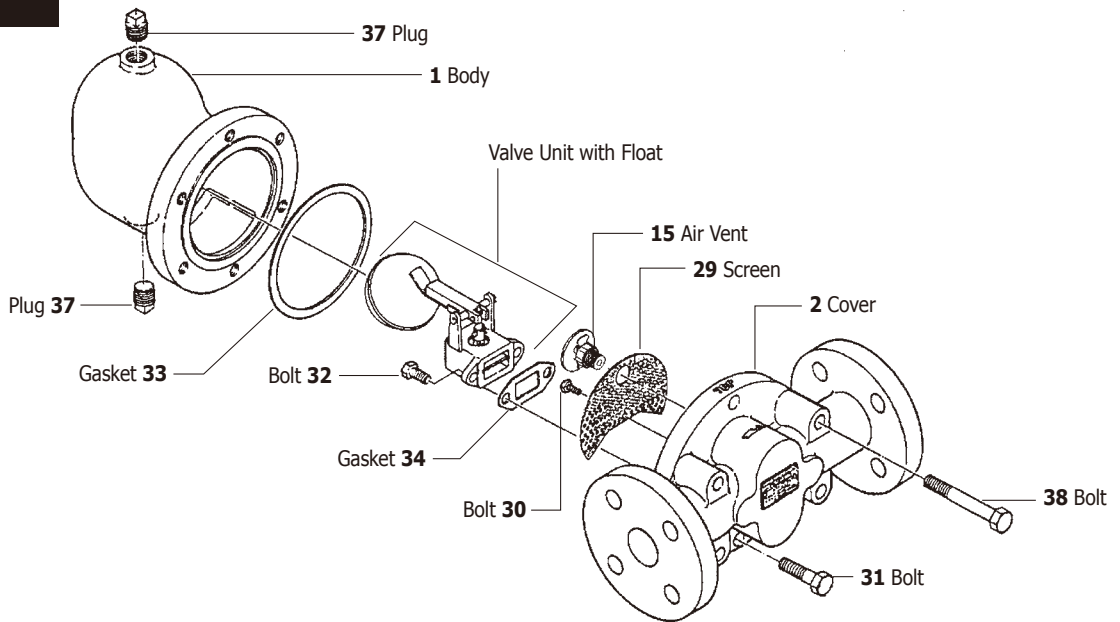
(*2) Depending on size and flange standard the weight of the traps differs. Please, look at our technical drawings.

Stainless Steel as body material for GH3N and GH5 is available as special design. For more details, please contact MIYAWAKI Inc. or an authorized representative.

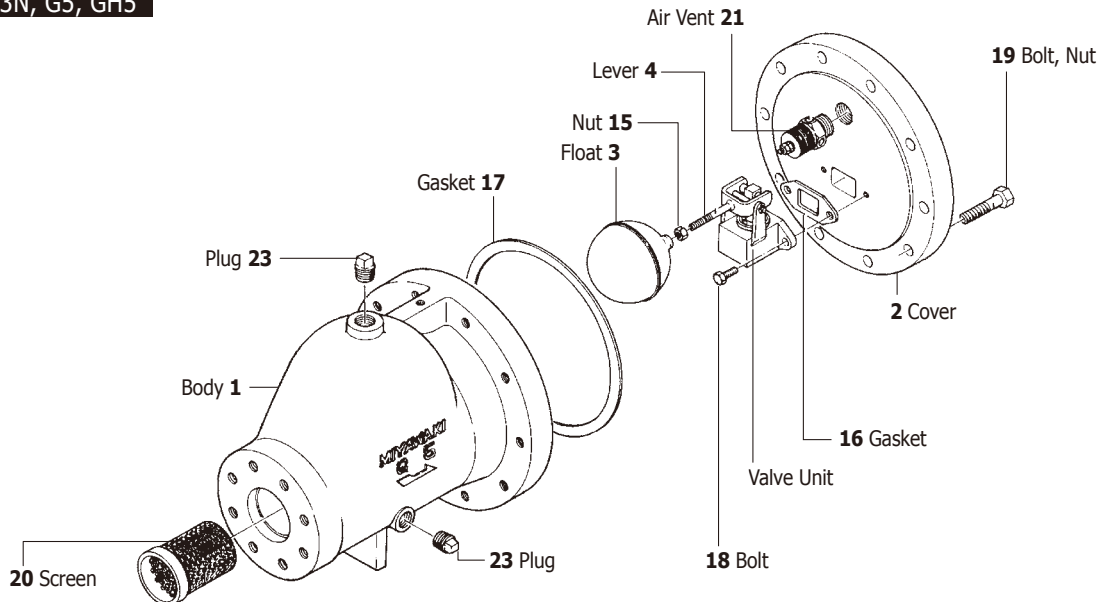
G11N/G12N



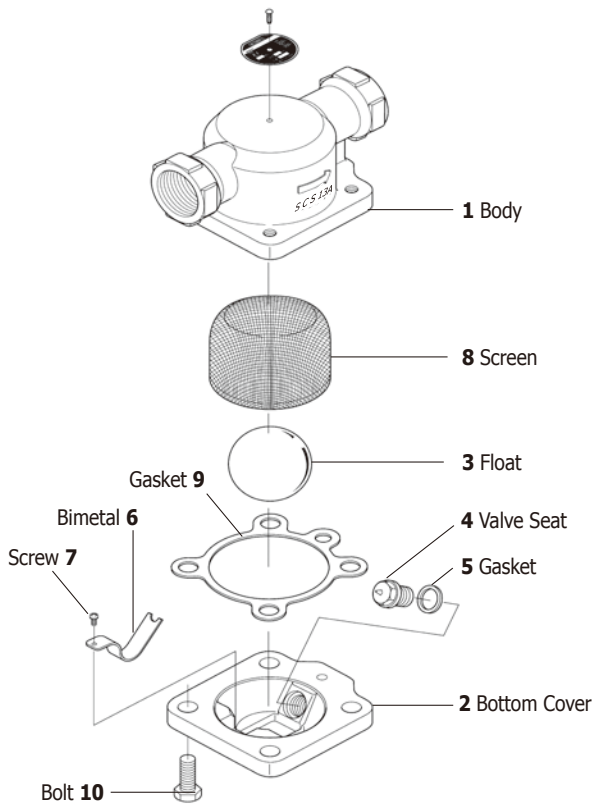
G15N



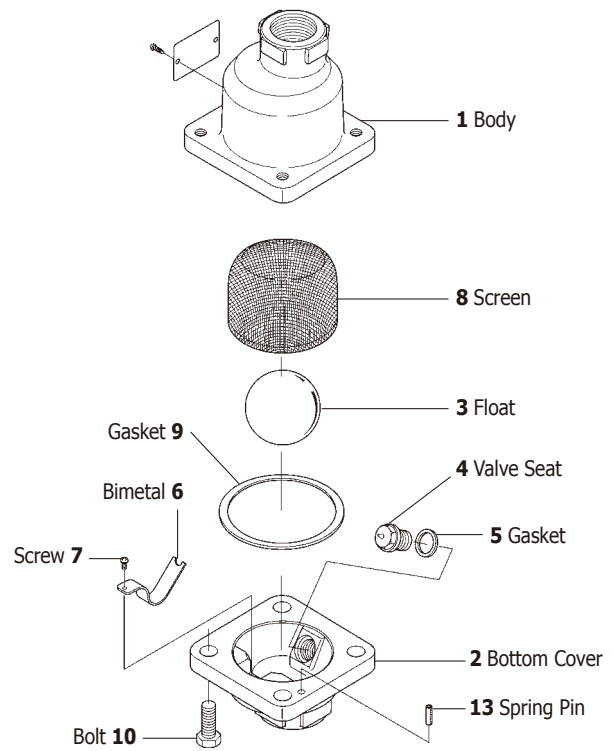
G3N, GH3N, G5, GH5



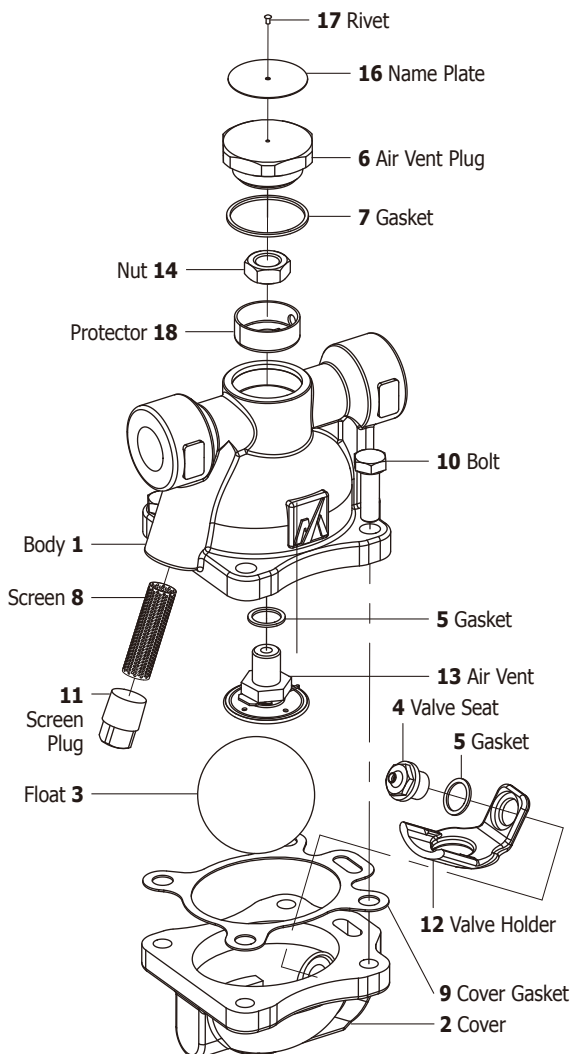
GC1



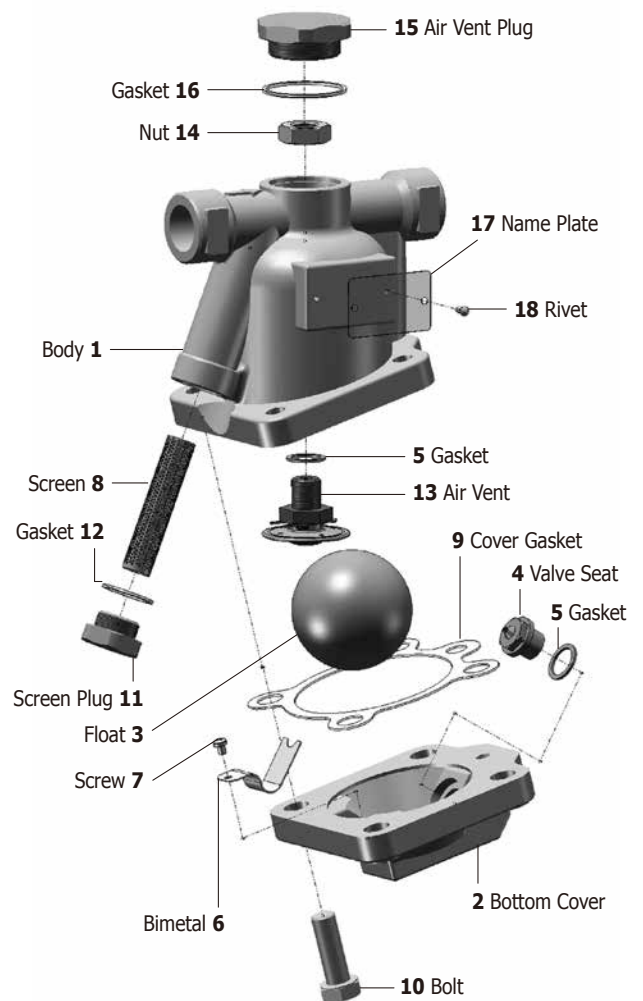
GC1V



G20N



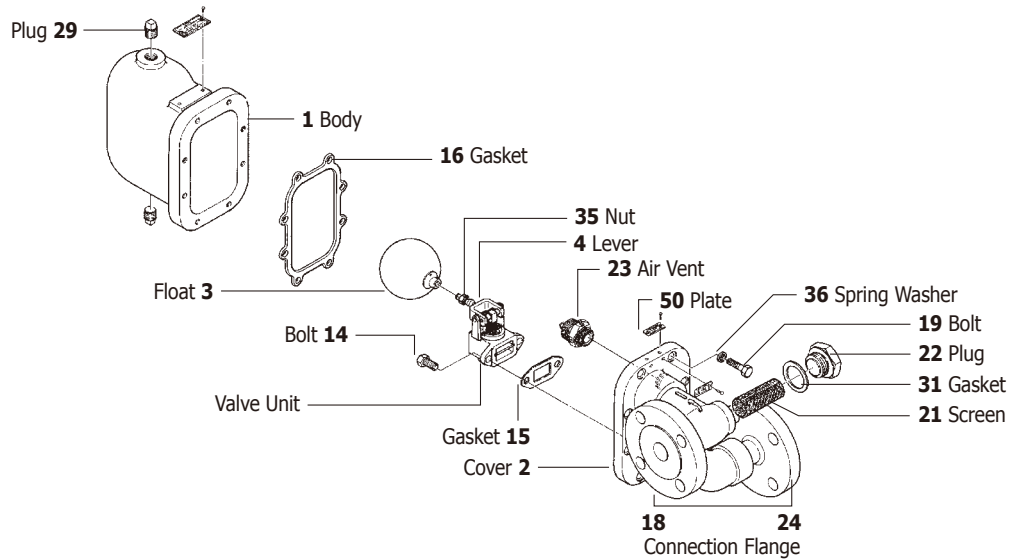
GC20



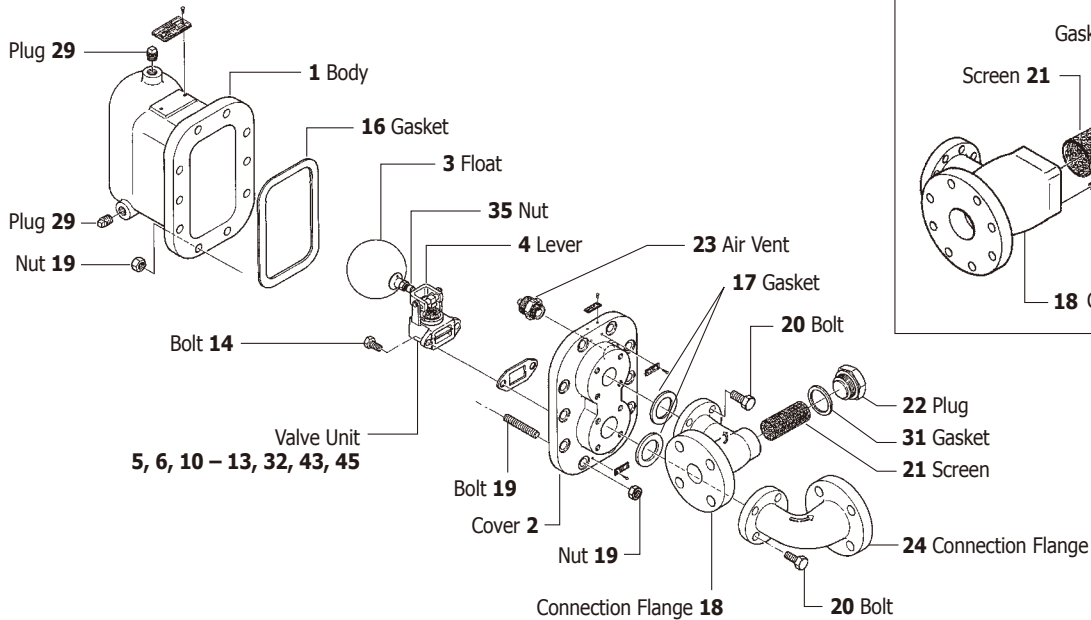
GH2

Valve Unit

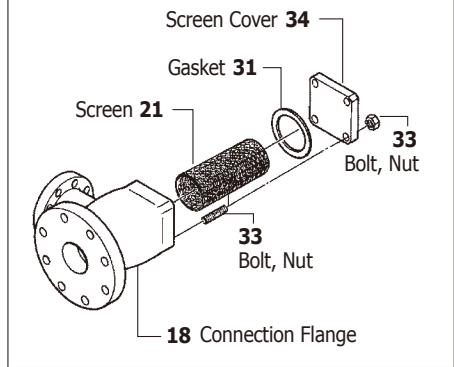
- 5 Valve Seat
- 6 Valve
- 7 Holder
- 8 Lever Nut
- 9 Nut
- 10 Connector
- 11 Nut
- 12 Guide Wing
- 13 Pin
- 32 Baffle Plate
- 39 Pin
- 43 Shaft
- 44 Collar
- 45 Split Pin
- 47 Spring Pin



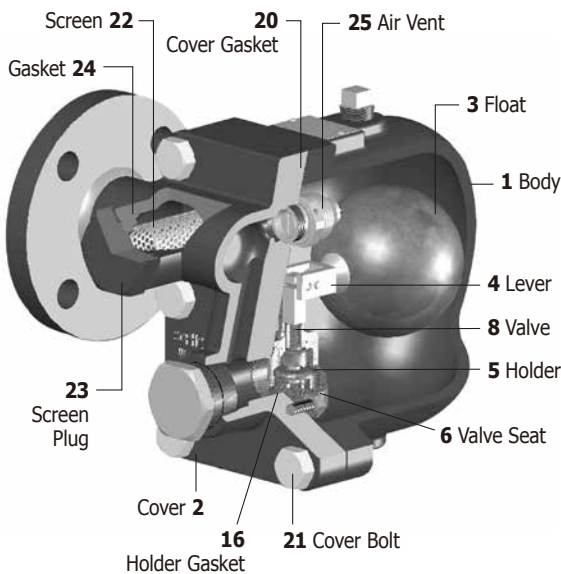
GH4, GH6, GH8



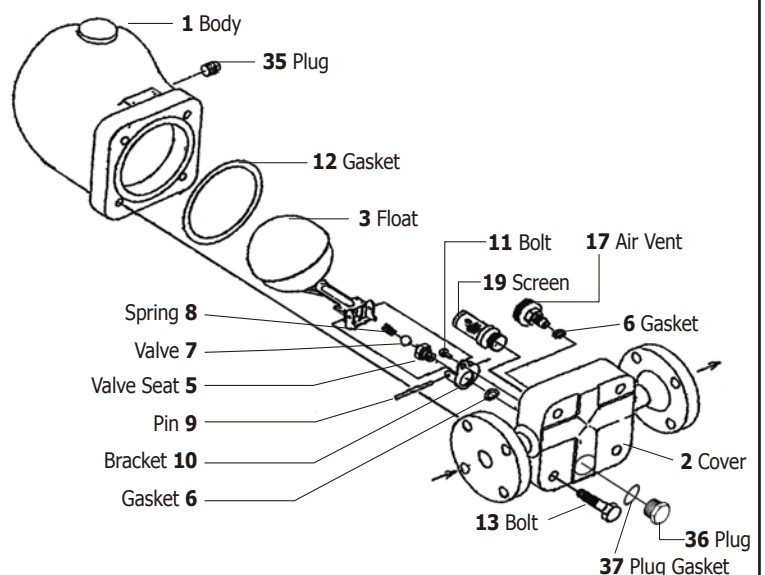
GH8 only



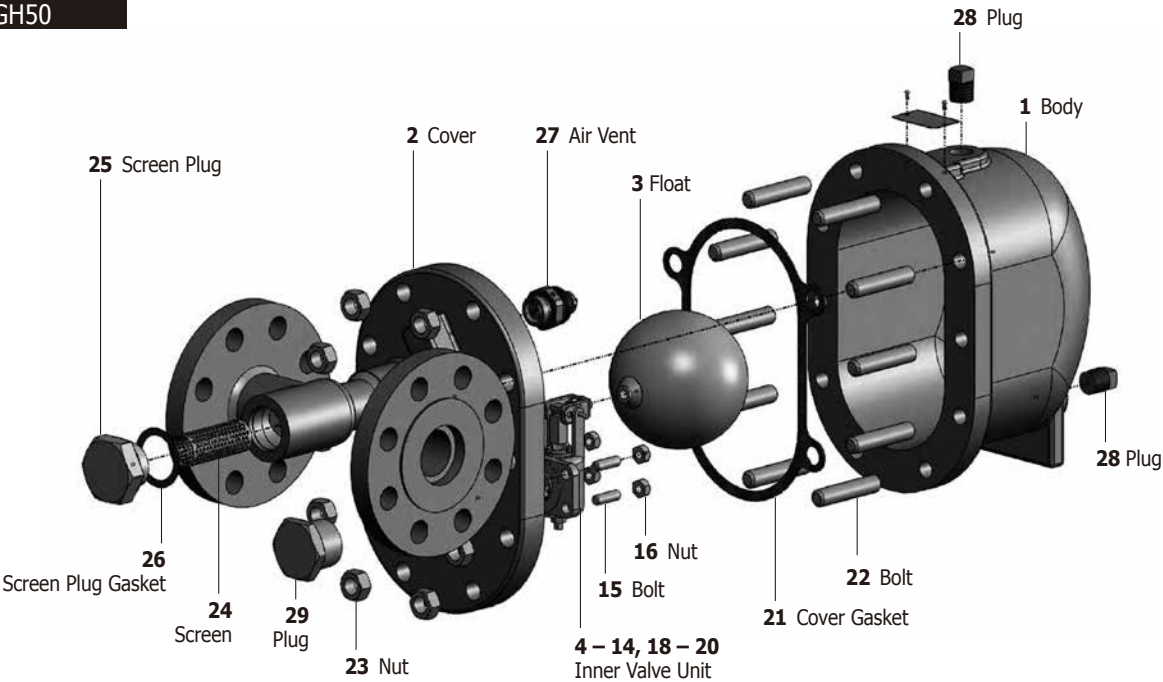
GH40



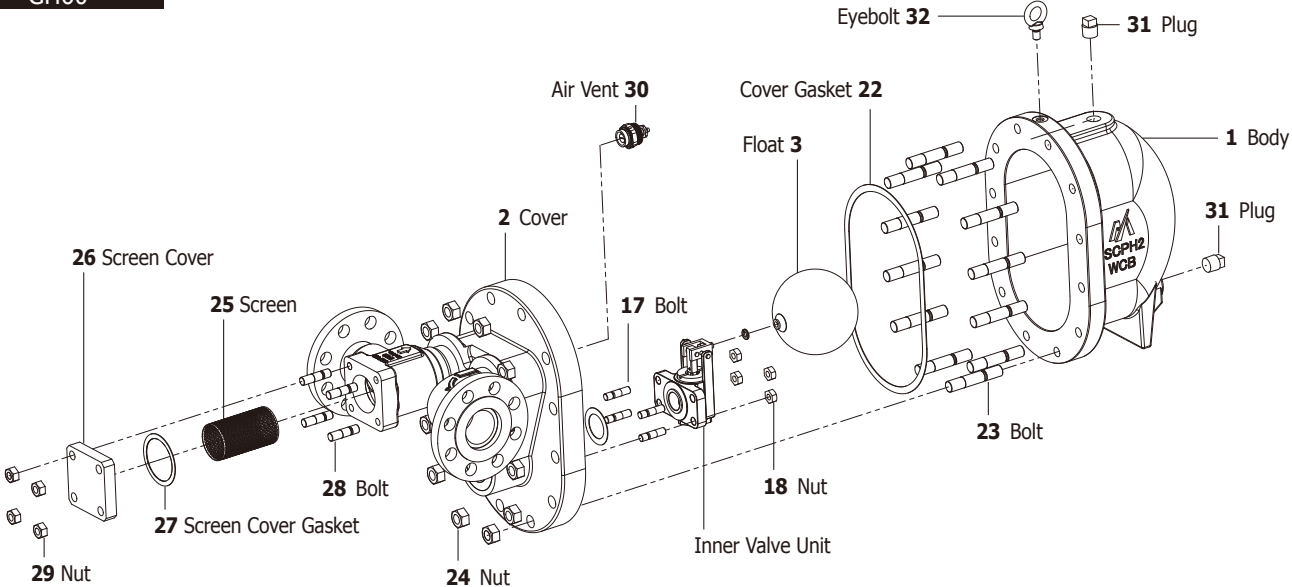
GTH12



GH50



GH60



GH70

