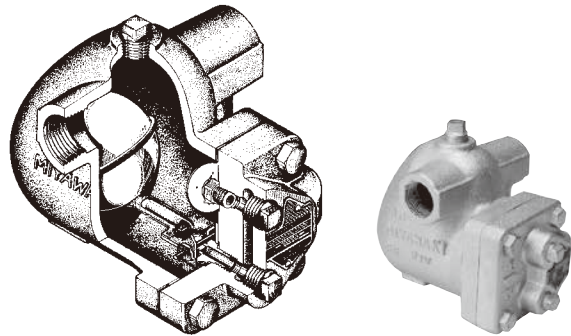
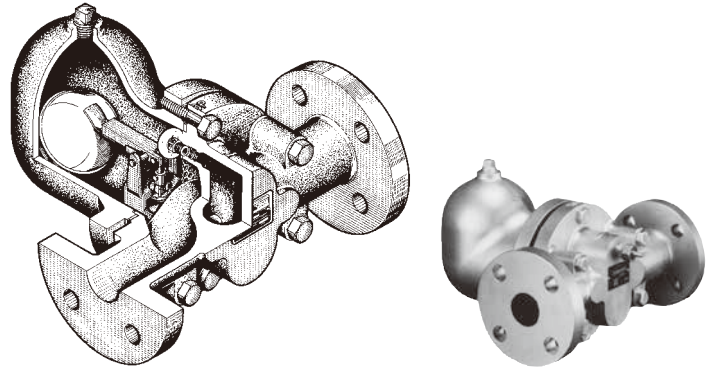


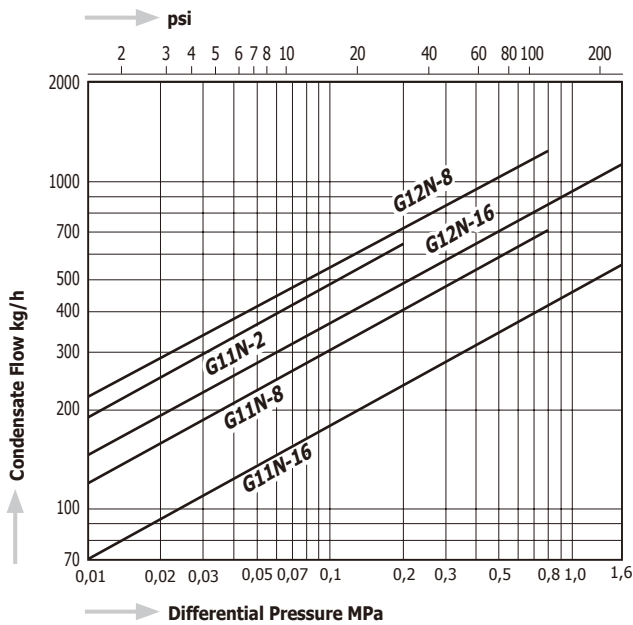
G11N, G12N



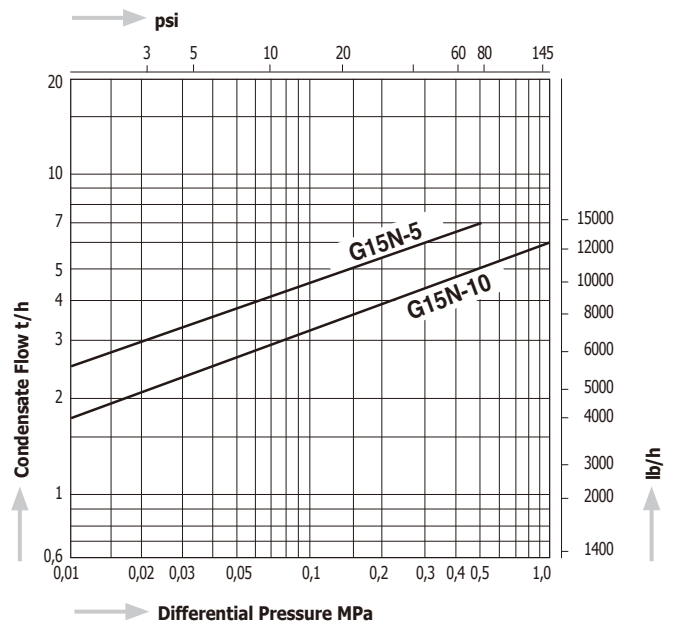
G15N



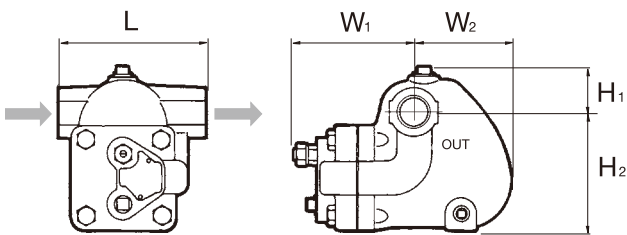
Capacity Chart G11N, G12N



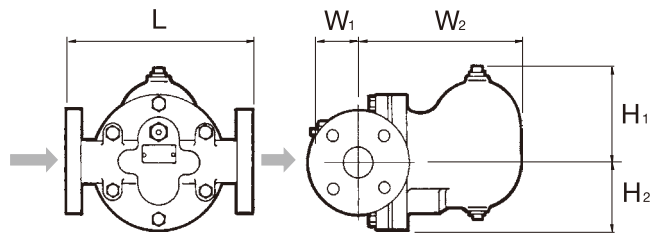
Capacity Chart G15N



Dimensions G11N, G12N



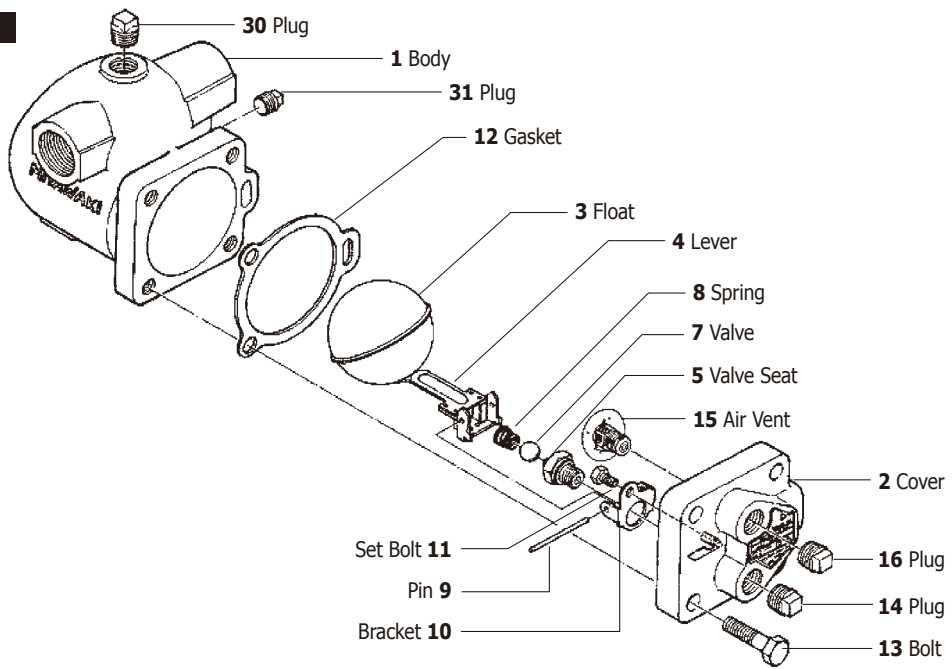
G15N



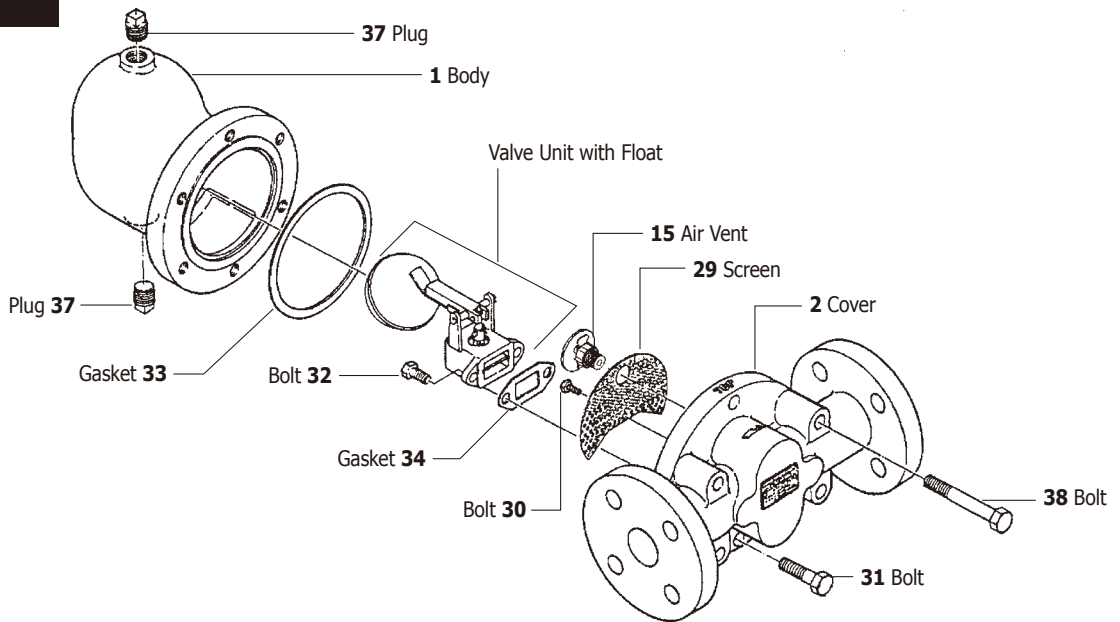
Model	Connections	Size	Max. Operating Pressure		Max. Operating Temperature		Dimensions (mm)					Dimensions (in)					Body Material	Weight			
			MPa	psig	°C	°F	L	H ₁	H ₂	W ₁	W ₂	L	H ₁	H ₂	W ₁	W ₂		kg	lb		
G11N - 2 8 16	Screwed Rc, NPT	½", ¾"	0,2	29	220	428	120	37	92	97	60	4.7	1.5	3.6	3.8	2.4	Cast Iron FC250	3,9	8.6		
			0,8	116																	
			1,6	230																	
G12N - 8 16	Screwed Rc, NPT	¾", 1"	0,8	116	220	428	140	47	113	102	92	5.5	1.9	4.4	4.0	3.6				6,0	13.2
			1,6	230																	
G15N - 5 10	Flanged JIS, ASME, DIN	1¼" - 2"	0,5	73	220	428	300	130	90	30	230	11.8	5.1	3.5	1.2	9.1				20,0	44.0
			1,0	145																	

For G11N and G12N, flanged connection is available as special design. Please contact MIYAWAKI Inc. or an authorized representative.

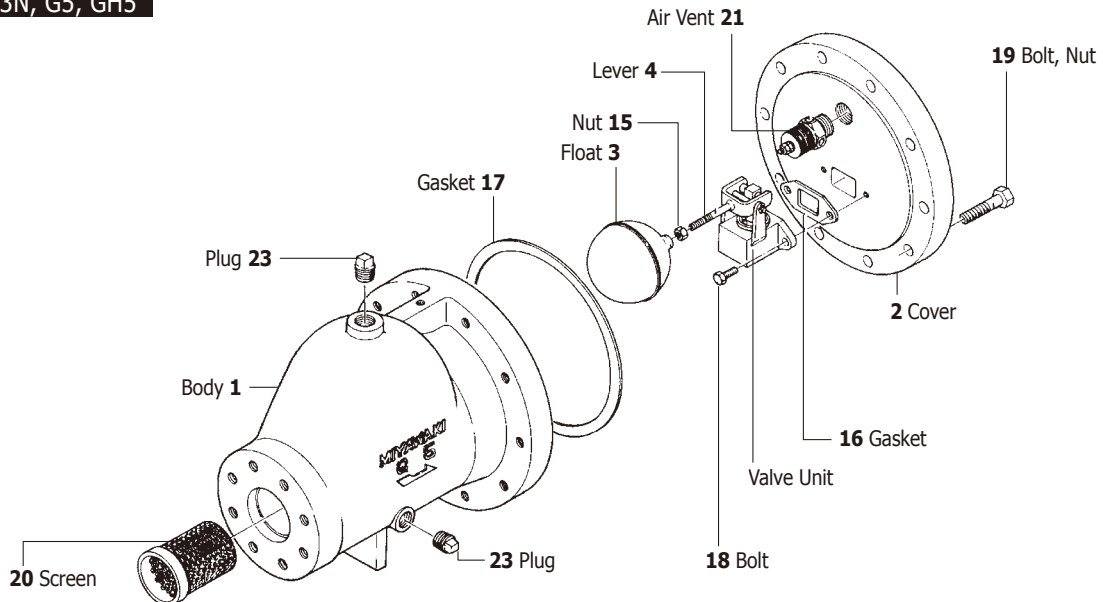
G11N/G12N



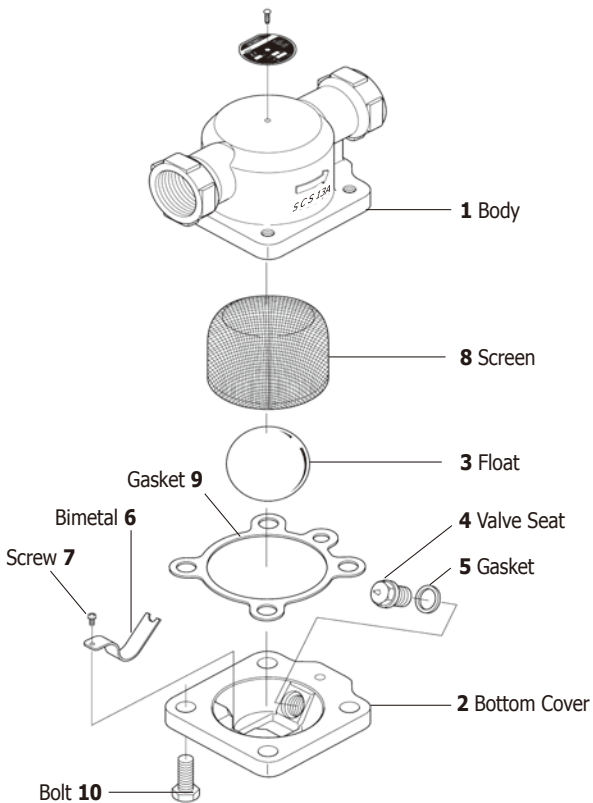
G15N



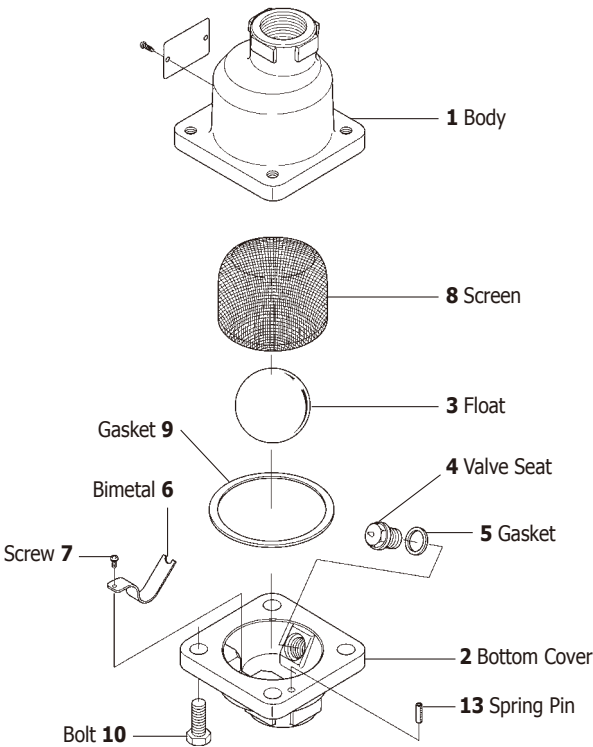
G3N, GH3N, G5, GH5



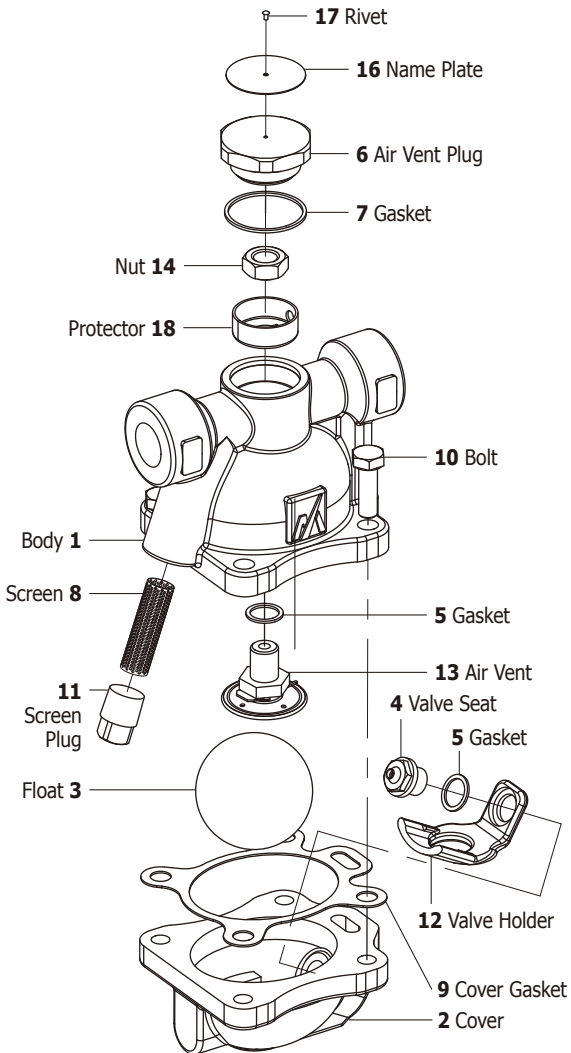
GC1



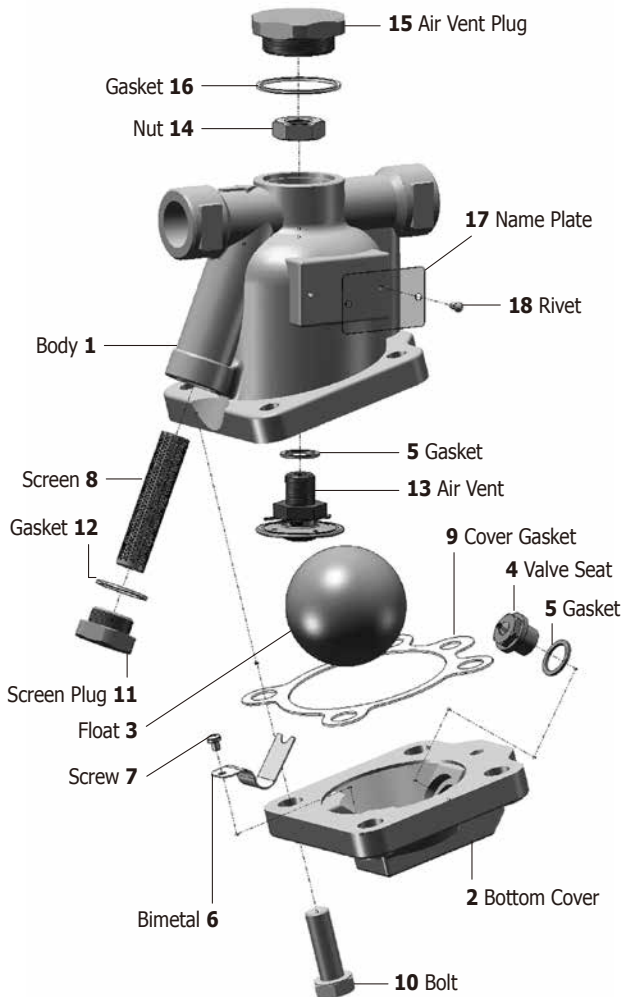
GC1V



G20N



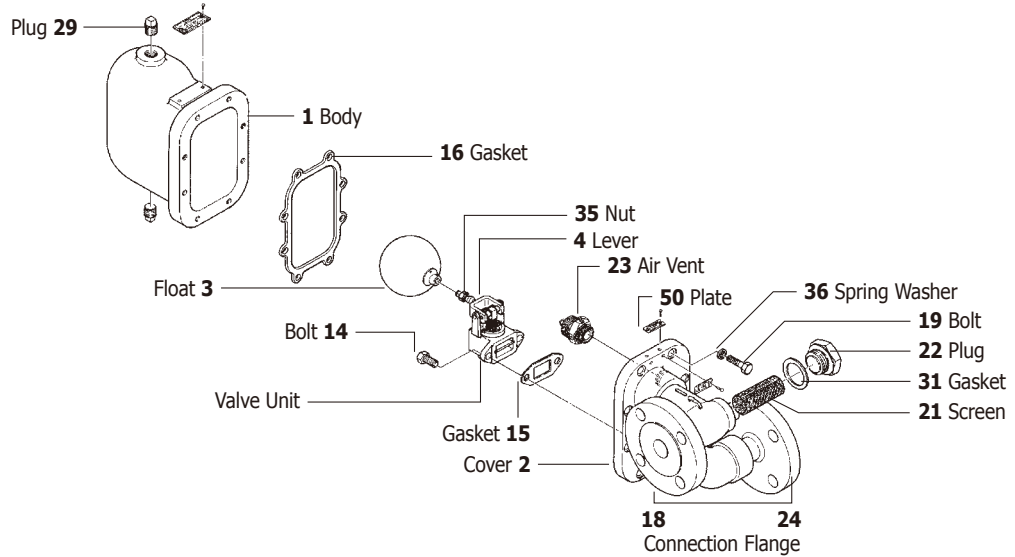
GC20



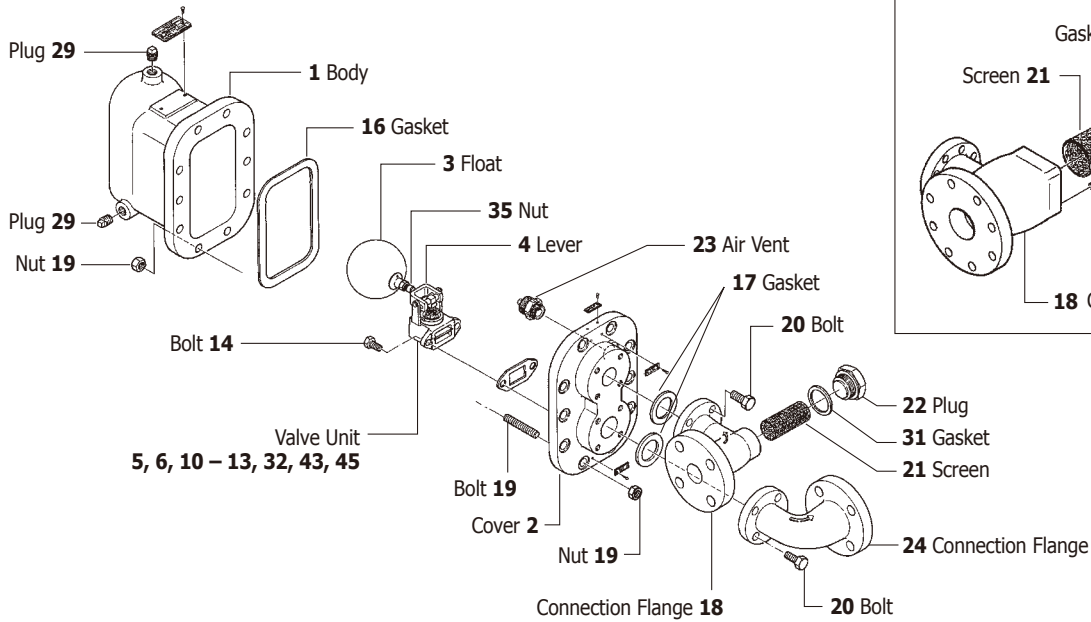
GH2

Valve Unit

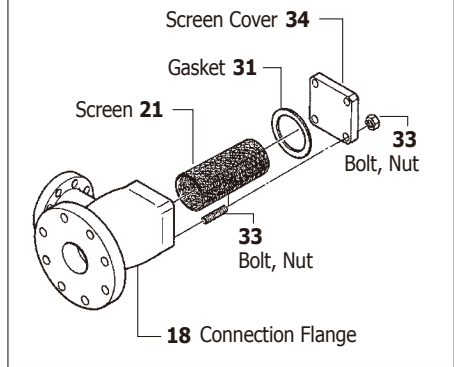
- 5 Valve Seat
- 6 Valve
- 7 Holder
- 8 Lever Nut
- 9 Nut
- 10 Connector
- 11 Nut
- 12 Guide Wing
- 13 Pin
- 32 Baffle Plate
- 39 Pin
- 43 Shaft
- 44 Collar
- 45 Split Pin
- 47 Spring Pin



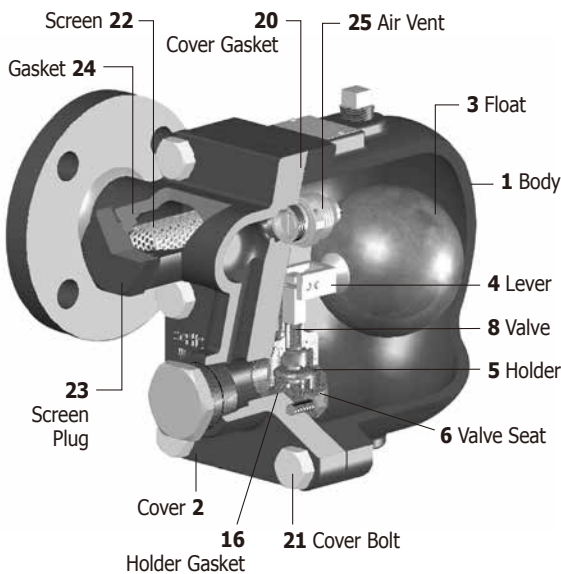
GH4, GH6, GH8



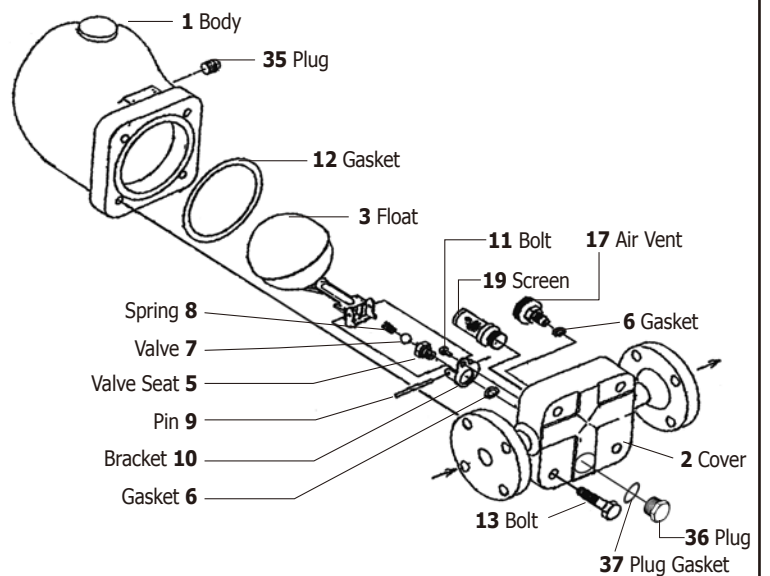
GH8 only



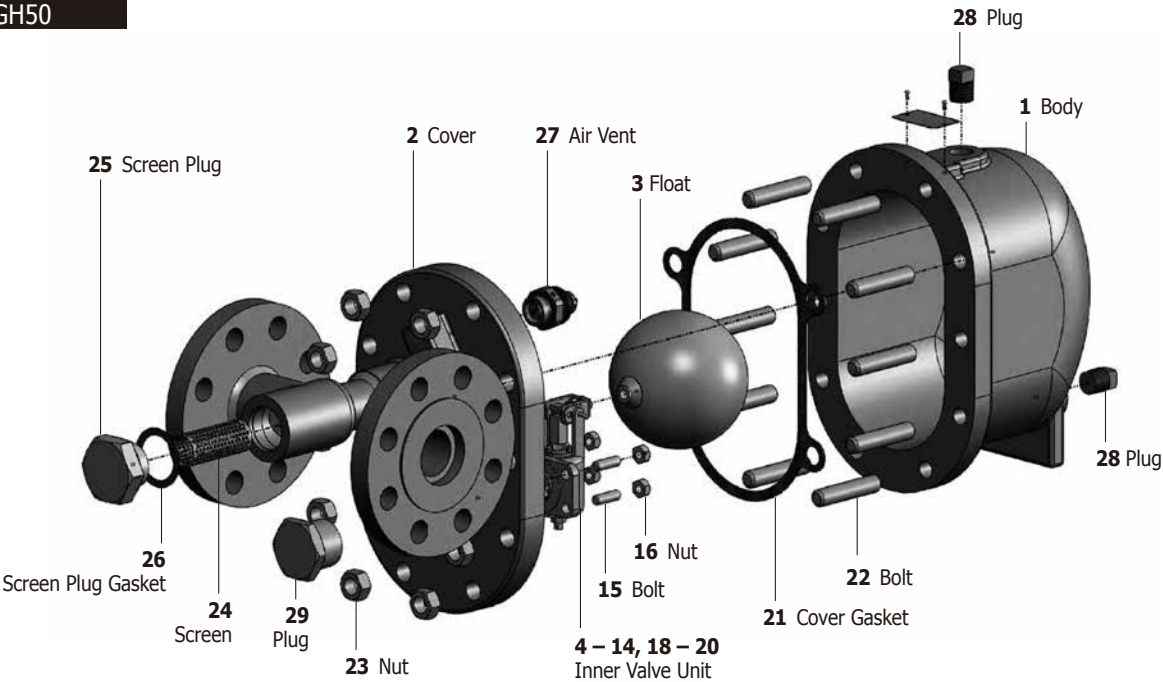
GH40



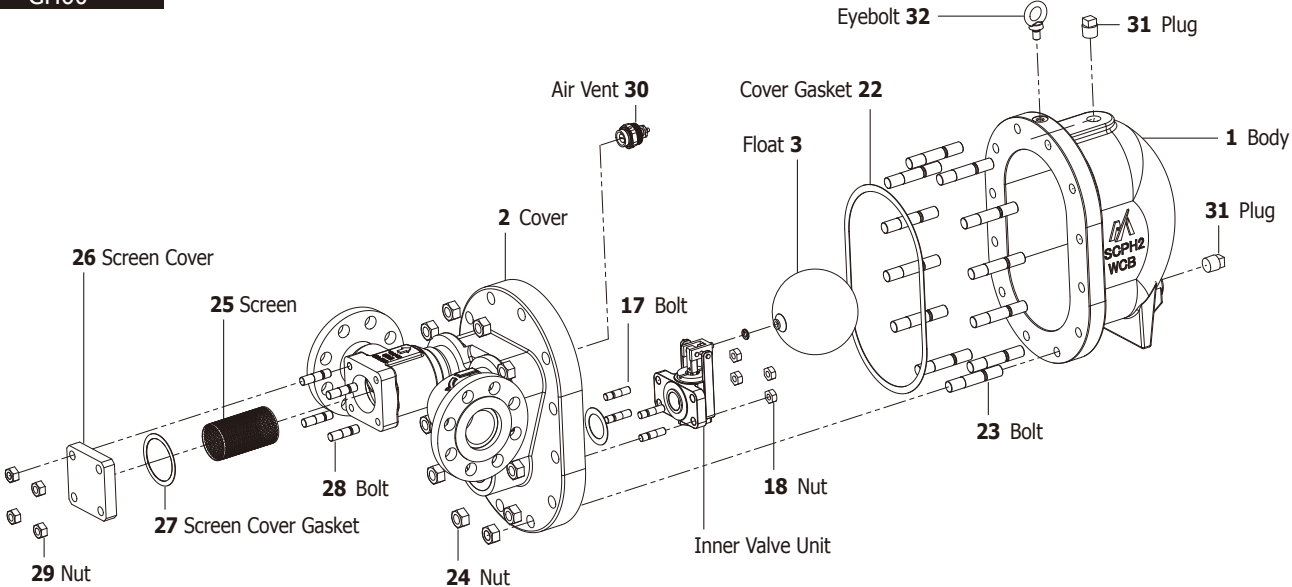
GTH12



GH50



GH60



GH70

