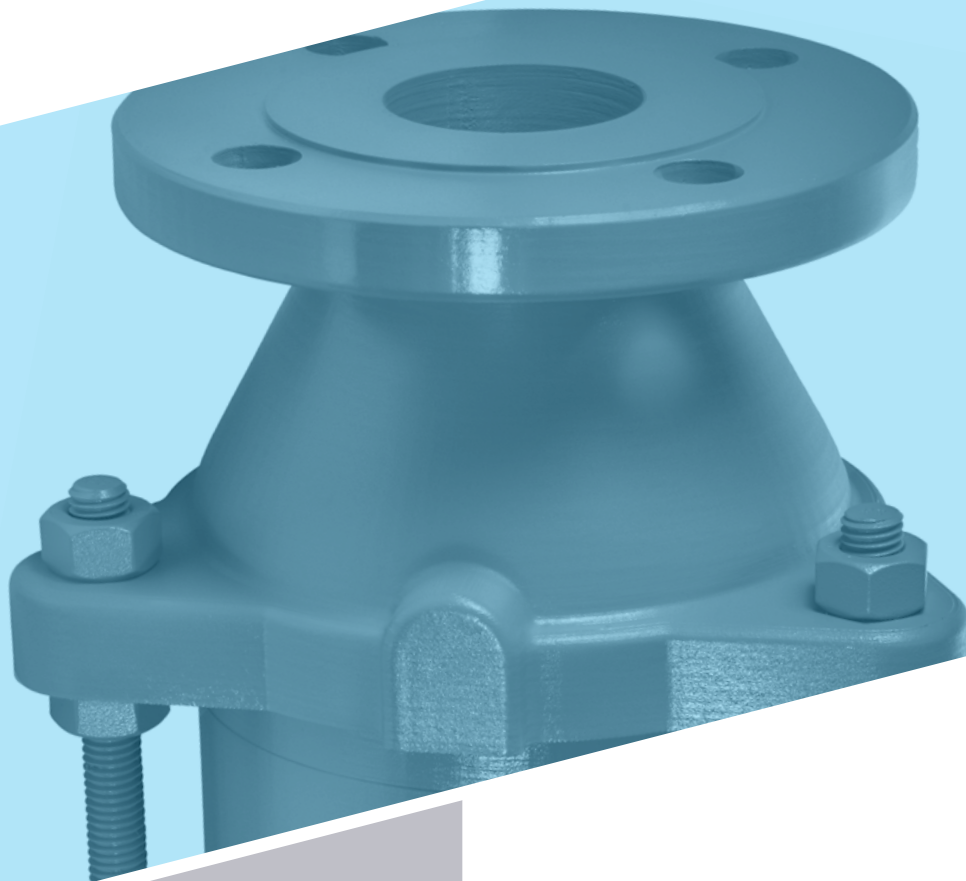




DEFLAGRATION FLAME ARRESTER

MODEL 7618



MODEL 7618

The Groth 7618 inhibits flame propagation in gas piping systems and protects low pressure tanks containing flammable liquids. Use it to protect low flash-point liquids from external sources of ignition and increase fire protection and safety.

Technical Details

- Flange Sizes: 2" (DN50) through 12" (DN300)
- Housing standard material: Aluminum, Carbon Steel, Stainless Steel
- Bases standard material: Aluminum, Carbon Steel, Stainless Steel
- Flame element standard material: 316L Stainless Steel
- Operational Temperature Range: $\leq 140^{\circ}\text{F}(60^{\circ}\text{C})$

Features

- Vertical Installation
- Unique recessed seating for superior protection
- Quick and easy maintenance
- Modular design allows easy and cost-effective flame-bank maintenance
- Flame arrestor element geometry maximizes flame-quenching capability while minimizing pressure drop
- Proven spiral-wound, crimped-ribbon flame element provides reliable protection

Options

- Exterior painting or coating
- DIN or ASME/ANSI drilling
- Tapped drain and instrumentation ports
- Weatherhood

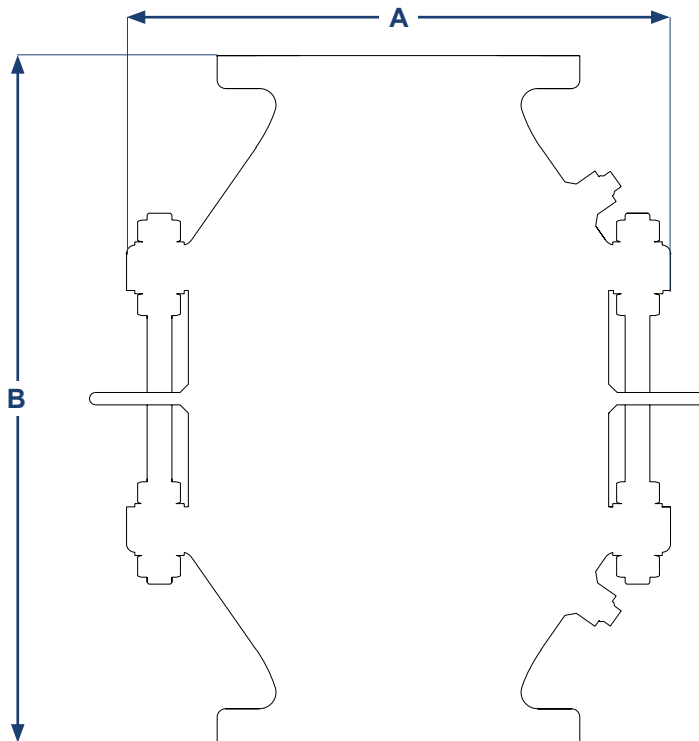


SPECIFICATIONS

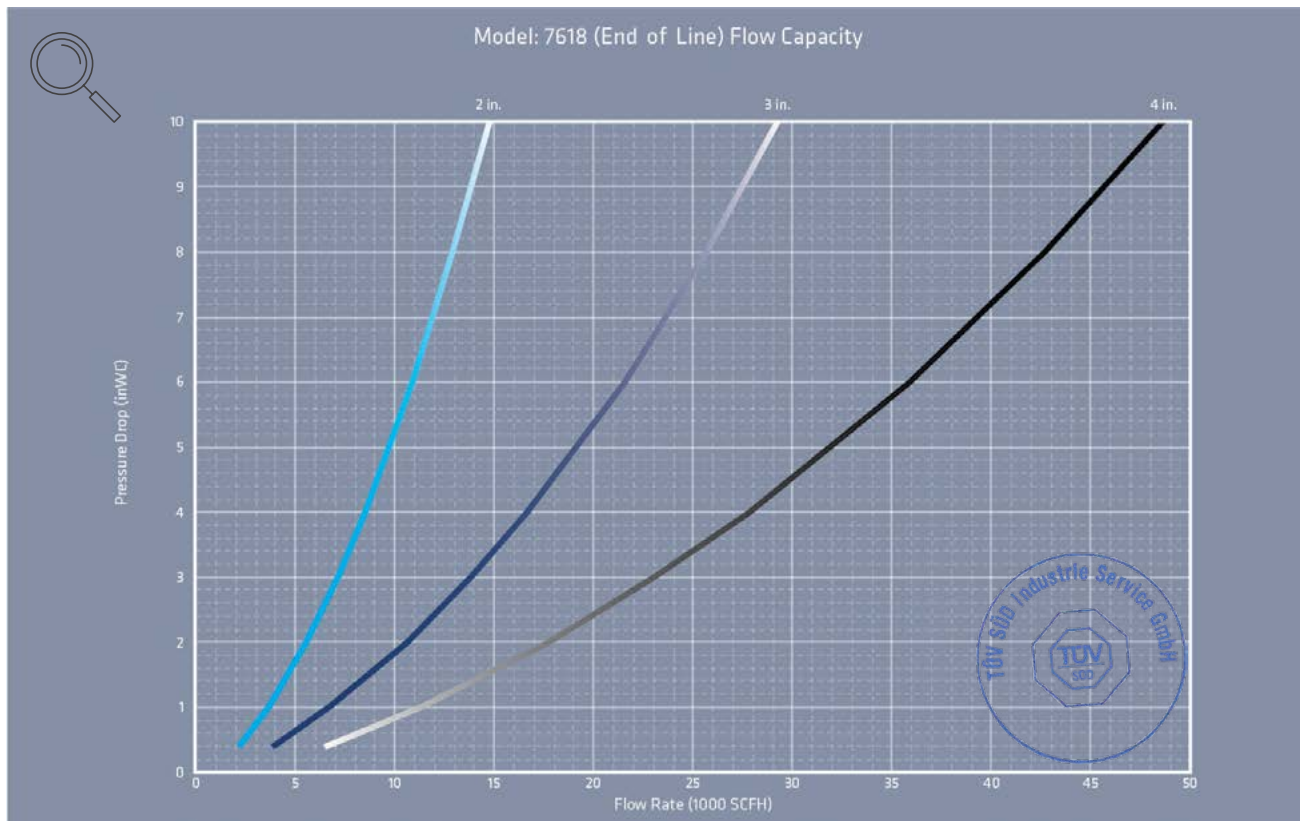
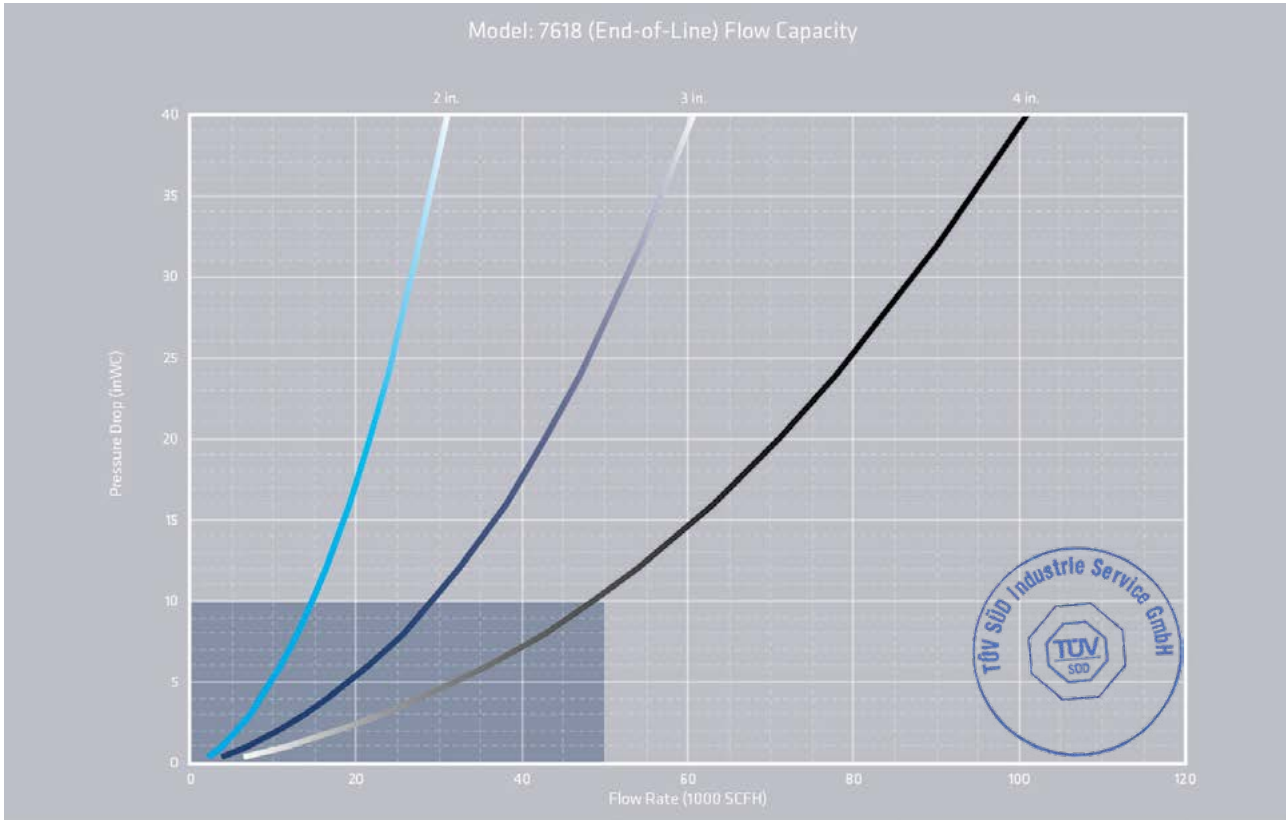
| End-of-Line | In-Line |
|--|---|
| Flanged Outlet with or without Discharge Piping <ul style="list-style-type: none"> • Gas Group: NEC D, IEC IIA • Operating Temperature $\leq 140^{\circ}\text{F}$ (60°C) • Pre-Ignition Pressure = Atmosphere • Discharge Piping Length ≤ 10 pipe diameters | <ul style="list-style-type: none"> • Gas Group: IEC IIA1, Methane (includes most Biogas applications) • Operating Temperature $\leq 140^{\circ}\text{F}$ (60°C) • Pre-Ignition Pressure ≤ 1 psig • Run-up Length ≤ 50 pipe diameters (2") • Run-up Length ≤ 20 pipe diameters (3") • Run-up Length ≤ 10 pipe diameters (4" - 12") |

| Flange Size Inches (mm) | A Width Inches (mm) | B Height Inches (mm) | Approx Ship Weight Aluminum Lbs (kg) |
|----------------------------|---------------------------|----------------------------|--|
| 2" (51) | 8.75 (221) | 14.00 (356) | 18 (8) |
| 3" (76) | 9.50 (241) | 16.00 (406) | 25 (11) |
| 4" (102) | 12.25 (311) | 18.25 (464) | 40 (18) |
| 6" (152) | 16.50 (419) | 21.00 (533) | 70 (32) |
| 8" (203) | 21.00 (533) | 25.00 (635) | 135 (61) |
| 10" (254) | 24.75 (629) | 30.00 (762) | 235 (107) |
| 12" (305) | 28.62 (727) | 32.50 (826) | 345 (156) |

Specifications subject to change without notice. Certified dimensions available upon request
 Larger sizes available on special application
 50# ANSI drilling compatibility, F.F. on aluminum and R.F. on carbon steel and stainless steel alloys
 Pneumatic tested to 15 psig as standard

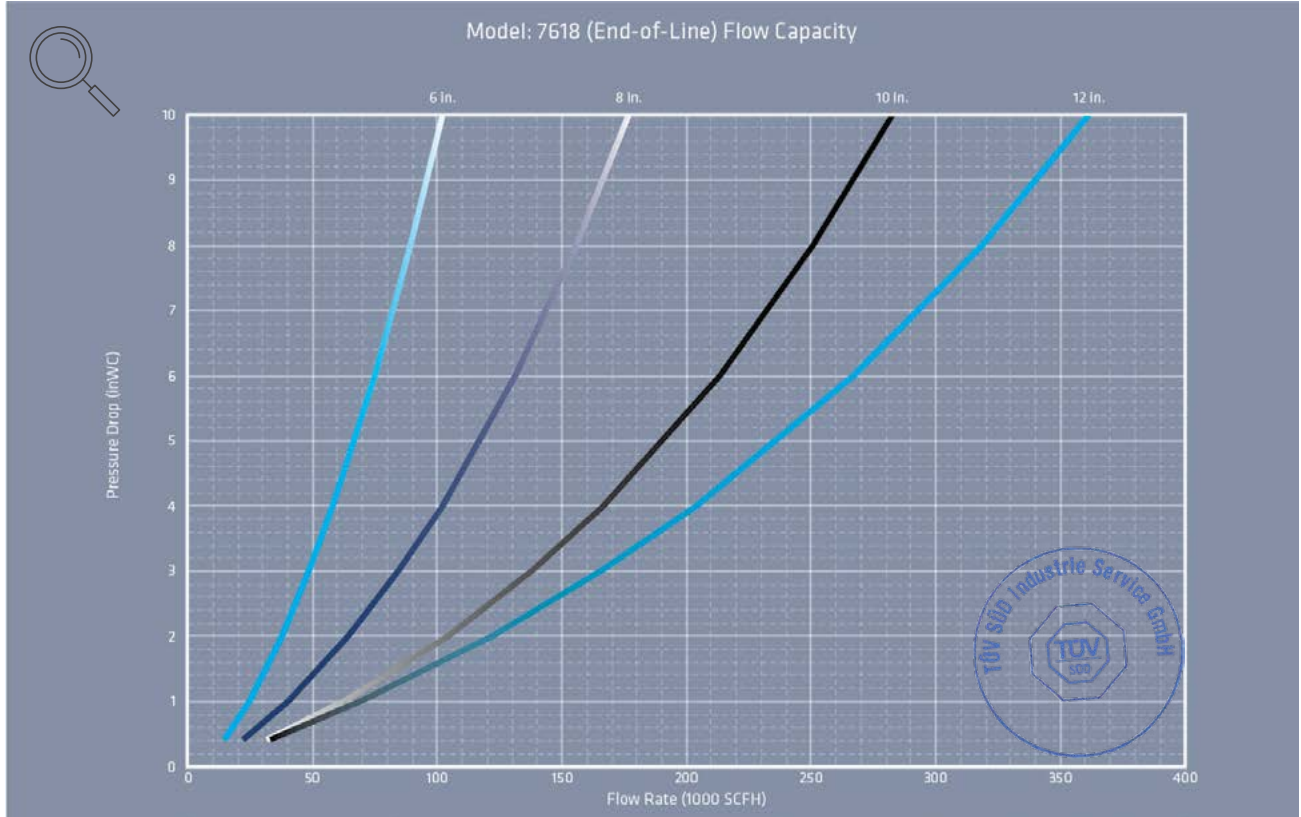
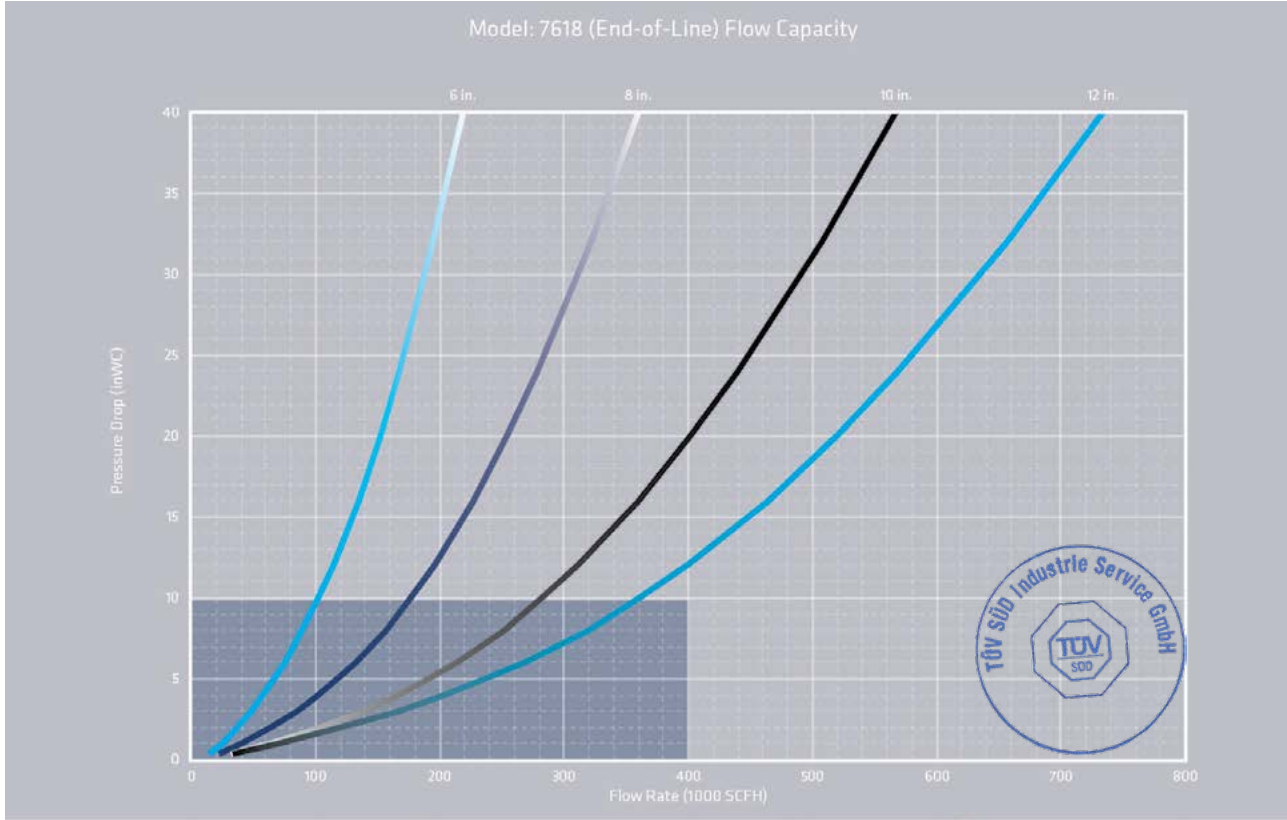


FLOW CAPACITY



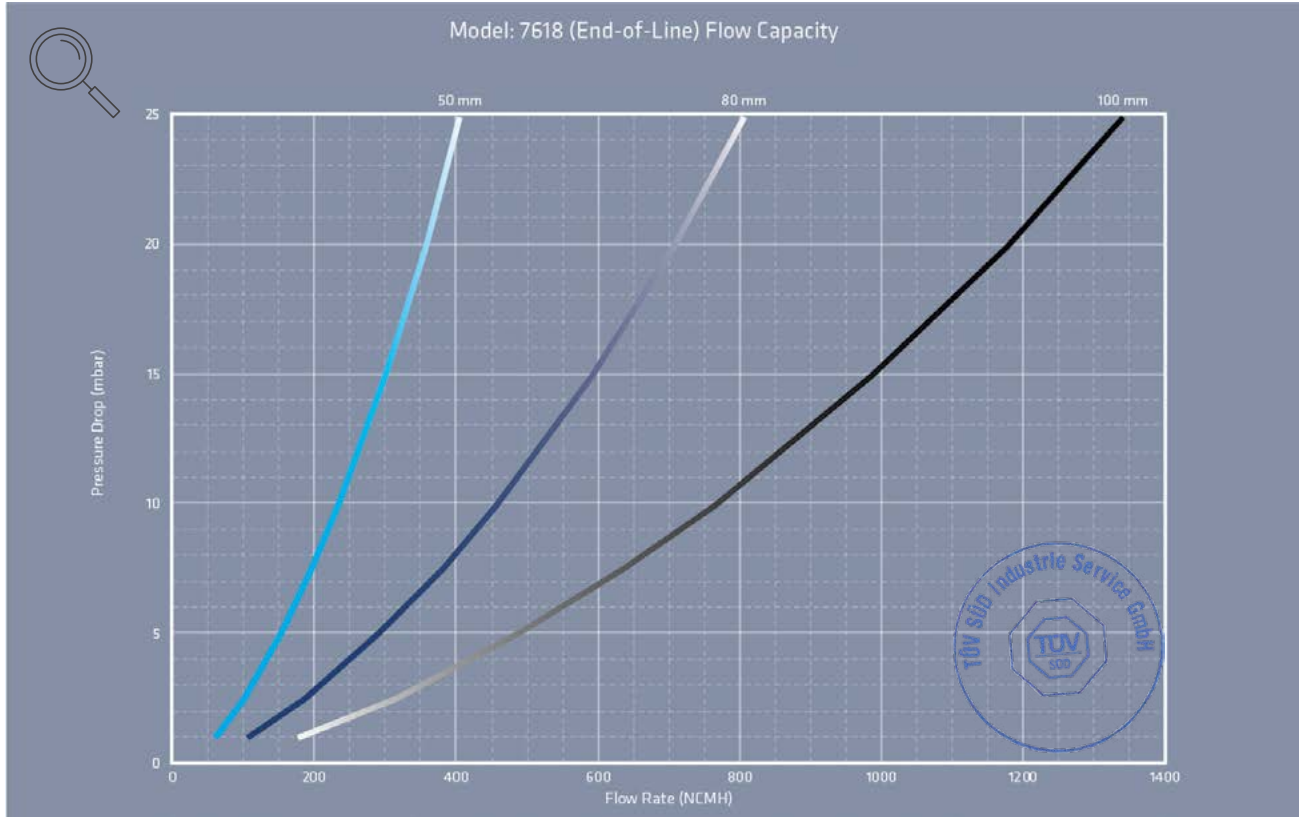
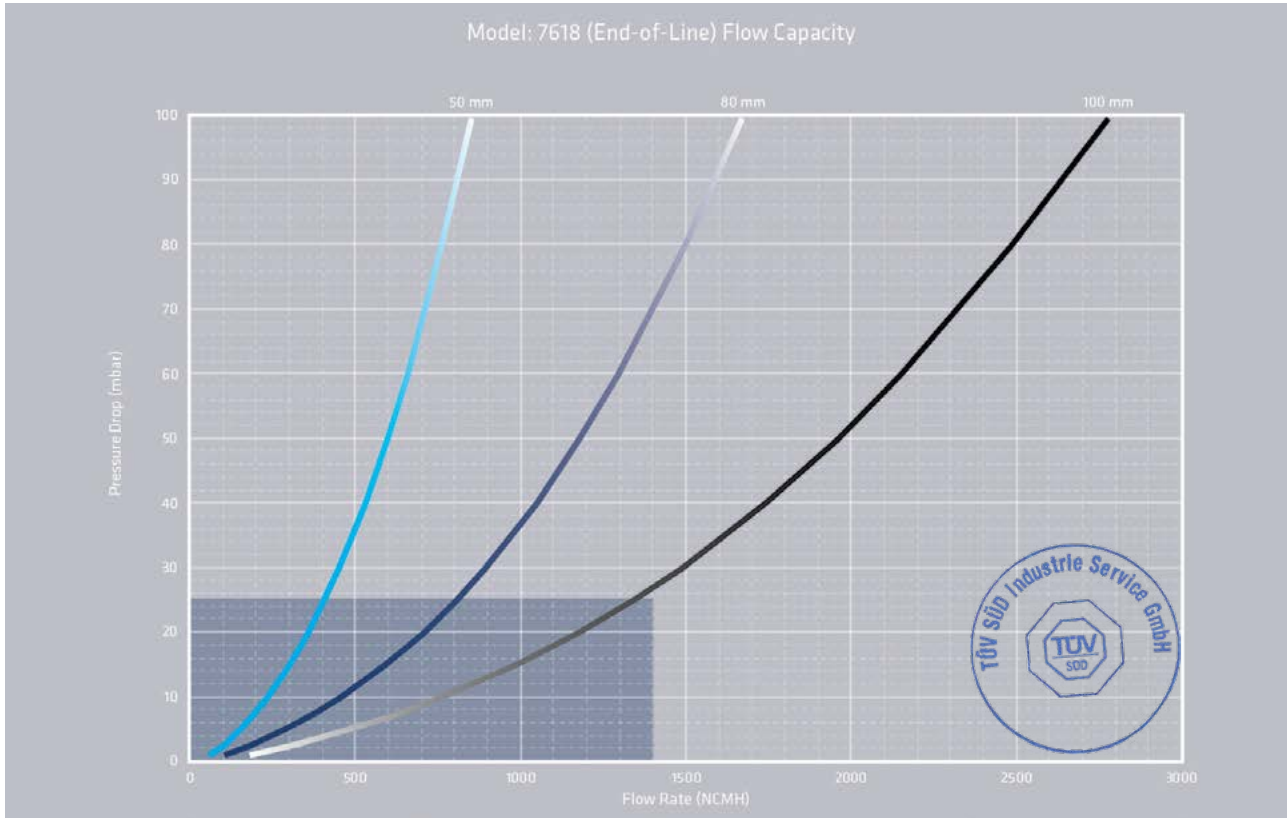
- The test equipment, procedures, and reporting methods utilized by Groth Corporation meet the requirements of standards API 2000/ISO 28300 and ISO 16852. The equipment, methods, and results have been reviewed and certified by TÜV SÜD.
- Flow data are for tank mounting or end of line and includes flame arrester entrance loss, exit loss and internal losses.
- Flow values based on air at 60°F venting to atmospheric pressure of 14.6959 psia

FLOW CAPACITY



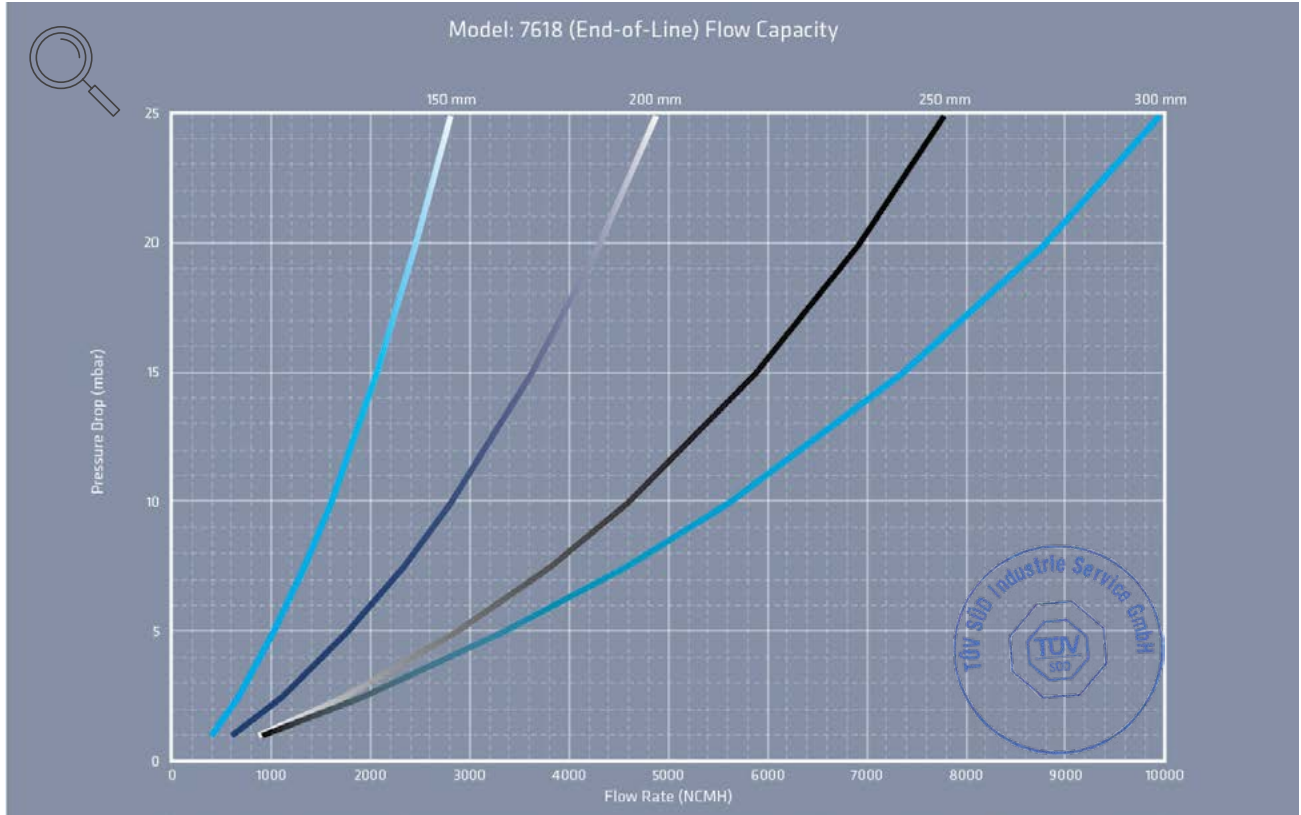
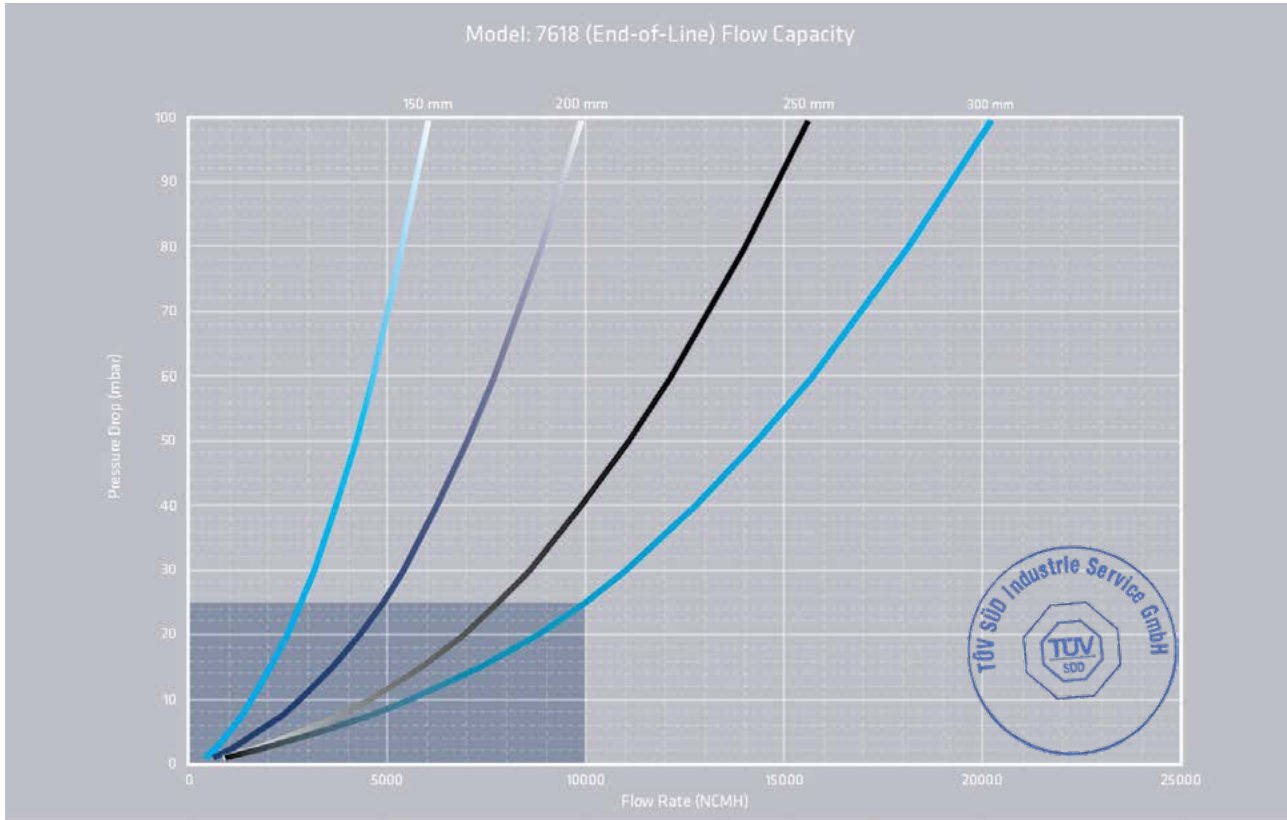
- The test equipment, procedures, and reporting methods utilized by Groth Corporation meet the requirements of standards API 2000/ISO 28300 and ISO 16852. The equipment, methods, and results have been reviewed and certified by TÜV SÜD.
- Flow data are for tank mounting or end of line and includes flame arrester entrance loss, exit loss and internal losses.
- Flow values based on air at 60°F venting to atmospheric pressure of 14.6959 psia

FLOW CAPACITY



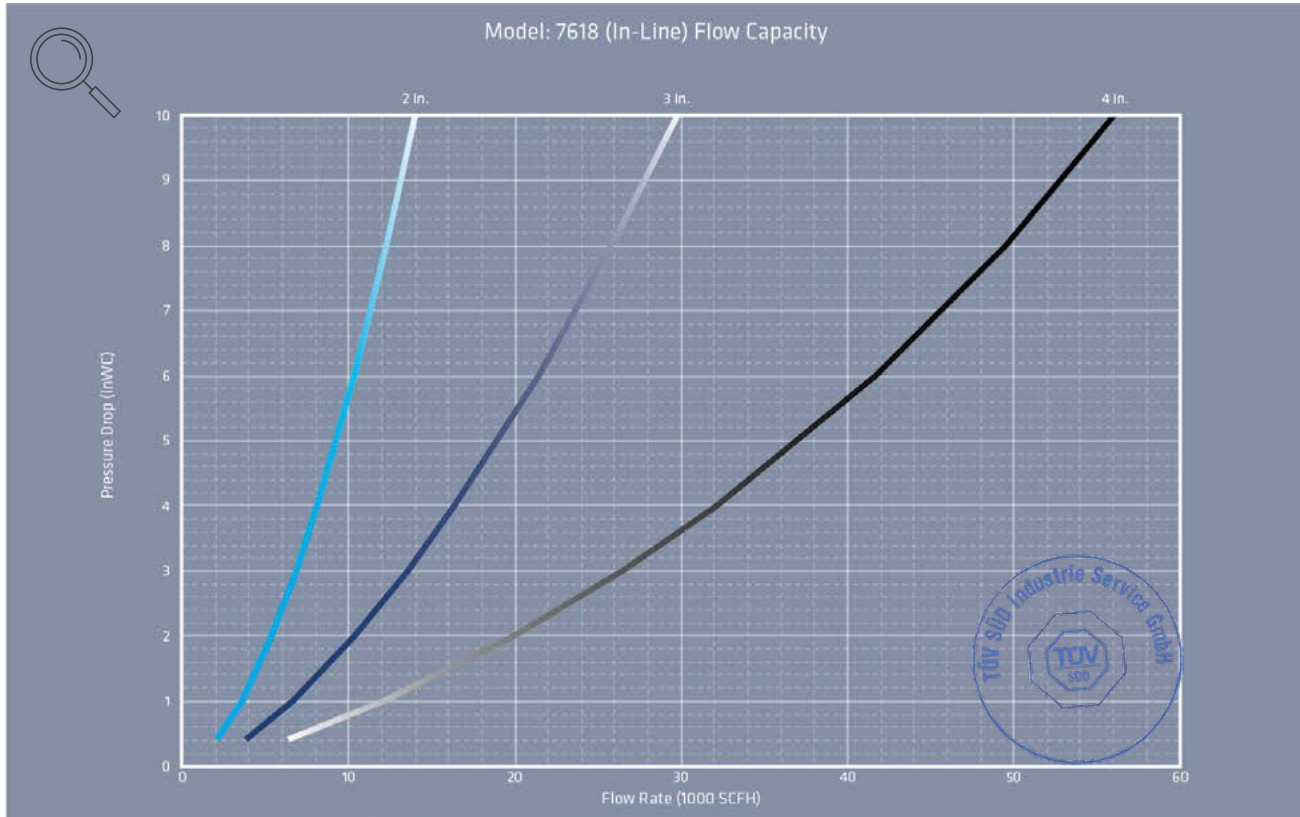
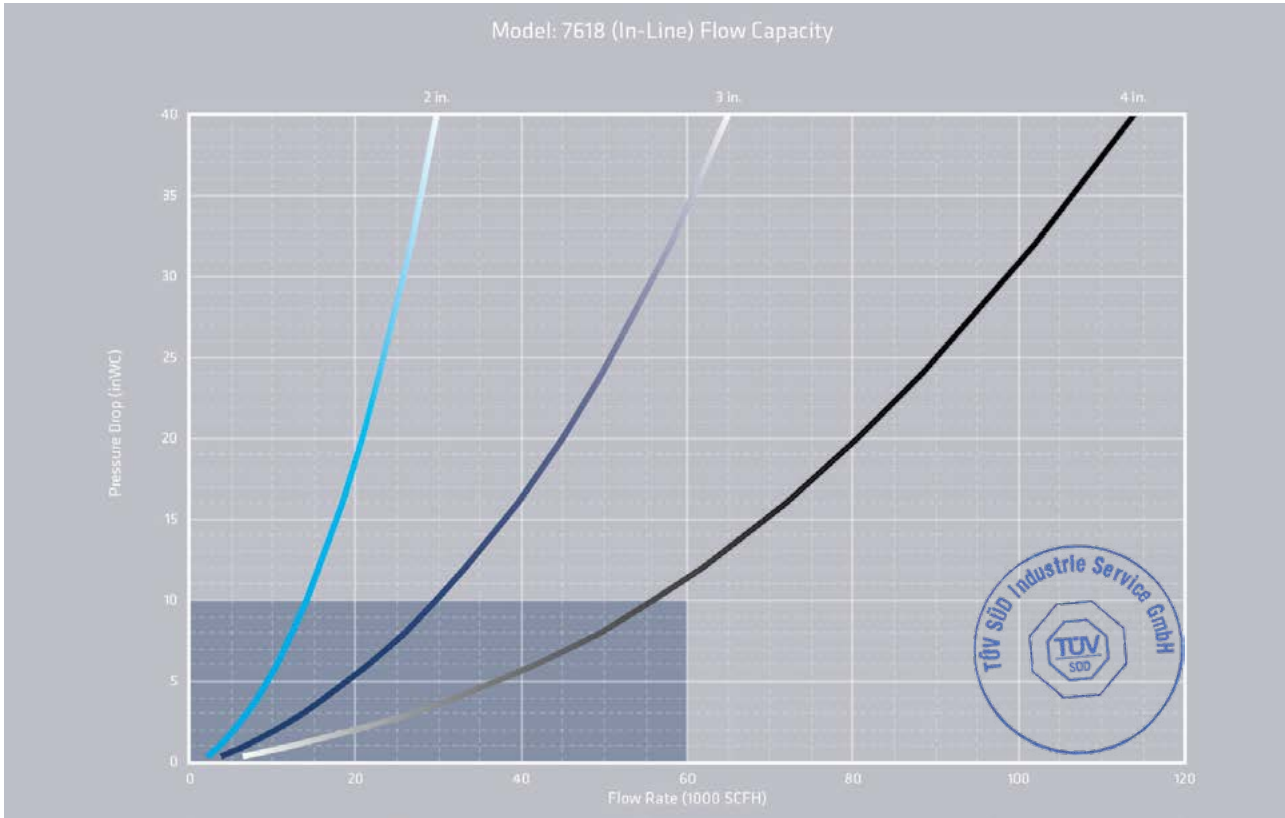
- The test equipment, procedures, and reporting methods utilized by Groth Corporation meet the requirements of standards API 2000/ISO 28300 and ISO 16852. The equipment, methods, and results have been reviewed and certified by TÜV SÜD.
- Flow data are for tank mounting or end of line and includes flame arrester entrance loss, exit loss and internal losses.
- Flow values based on air at 0°C venting to atmospheric pressure of 1.01325 bara

FLOW CAPACITY



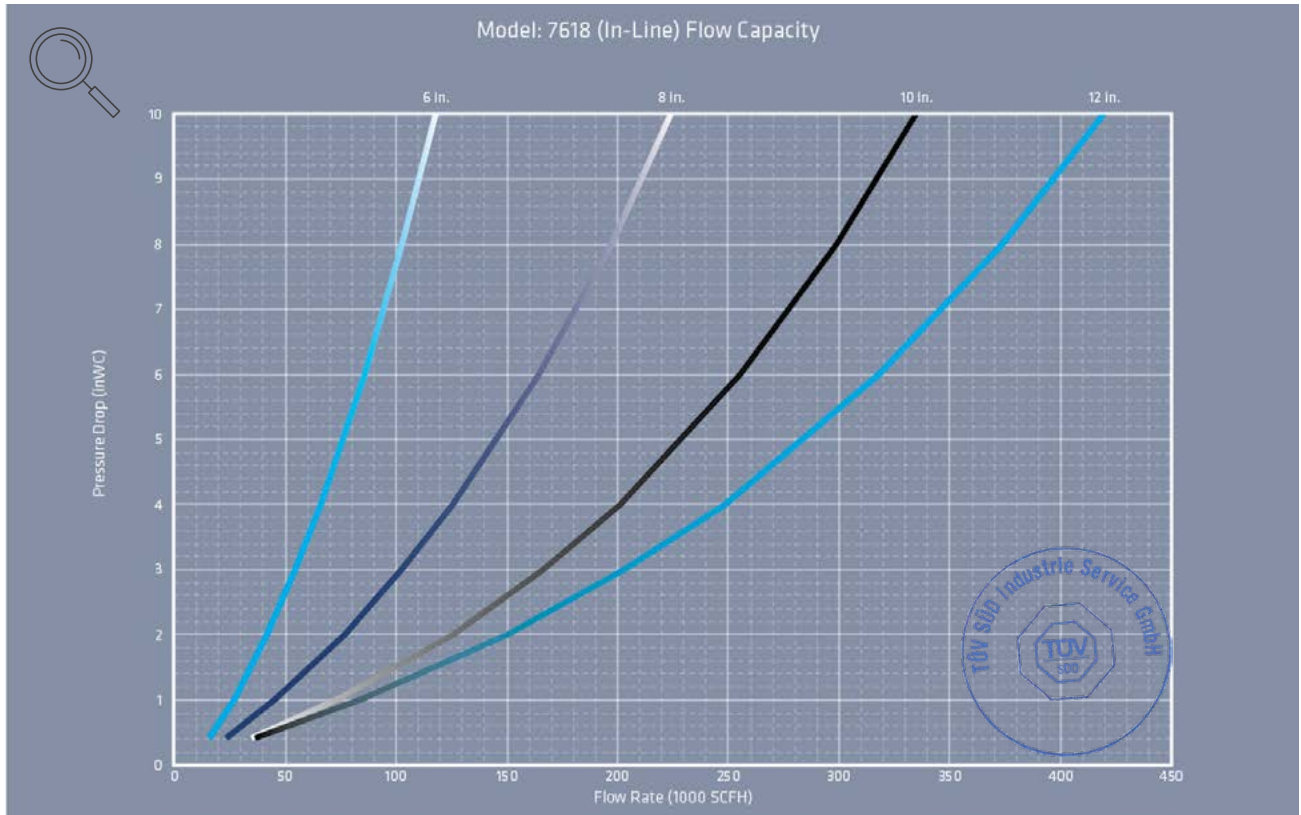
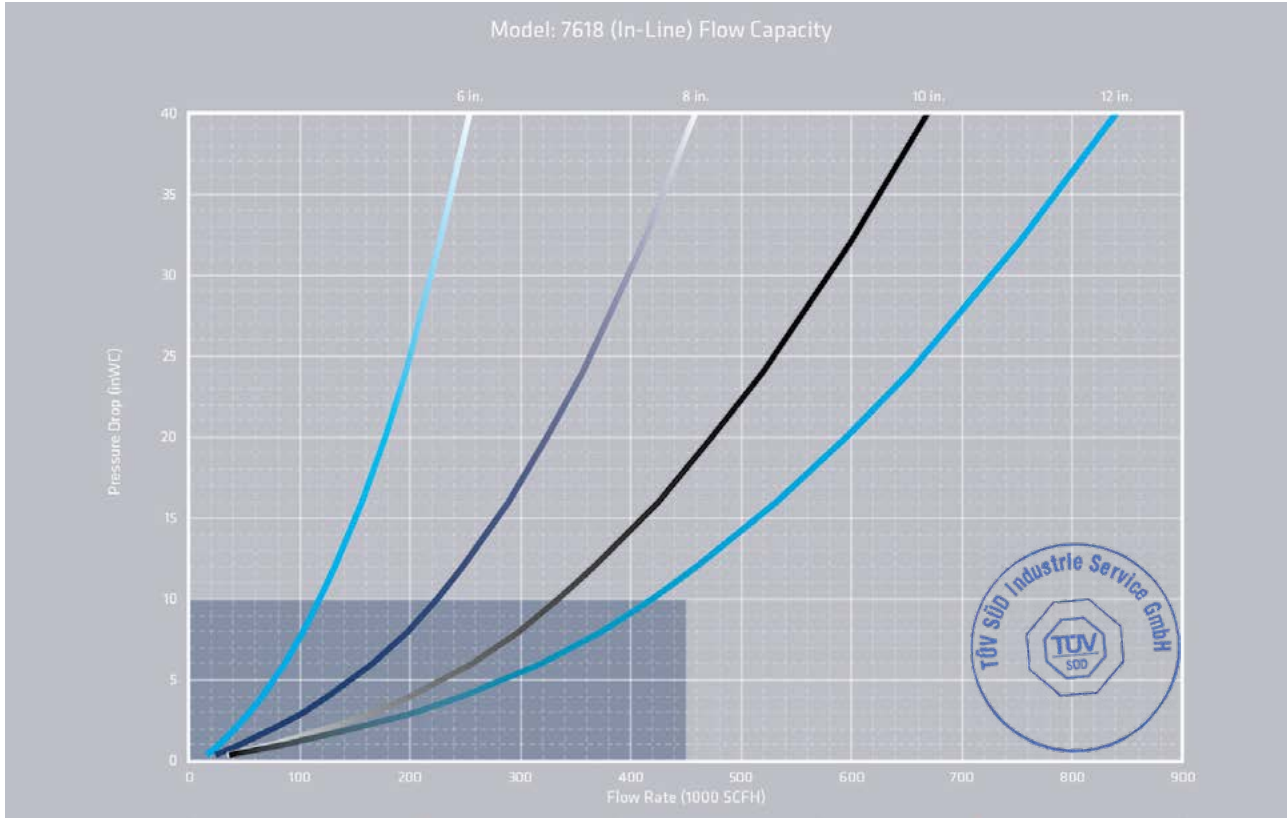
- The test equipment, procedures, and reporting methods utilized by Groth Corporation meet the requirements of standards API 2000/ISO 28300 and ISO 16852. The equipment, methods, and results have been reviewed and certified by TÜV SÜD.
- Flow data are for tank mounting or end of line and includes flame arrester entrance loss, exit loss and internal losses.
- Flow values based on air at 0°C venting to atmospheric pressure of 1.01325 bara

FLOW CAPACITY



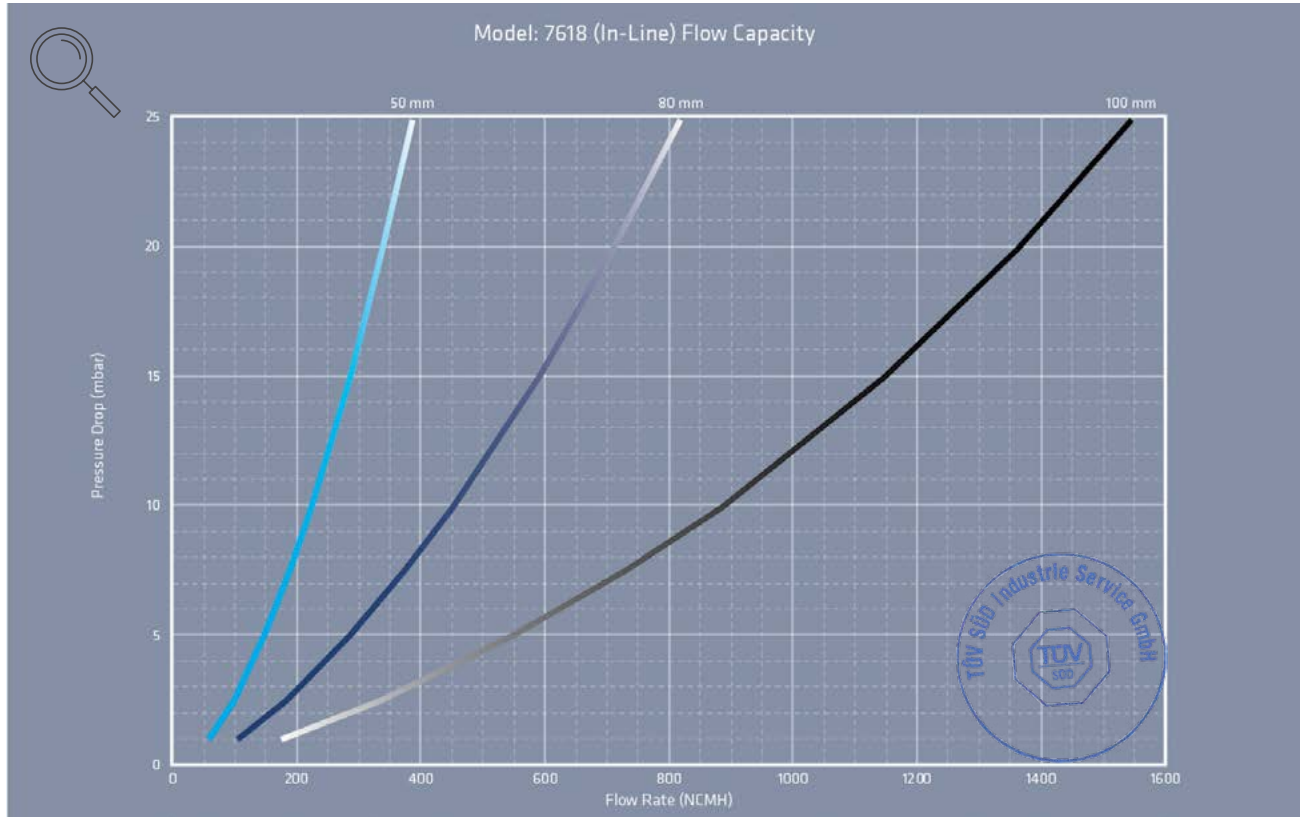
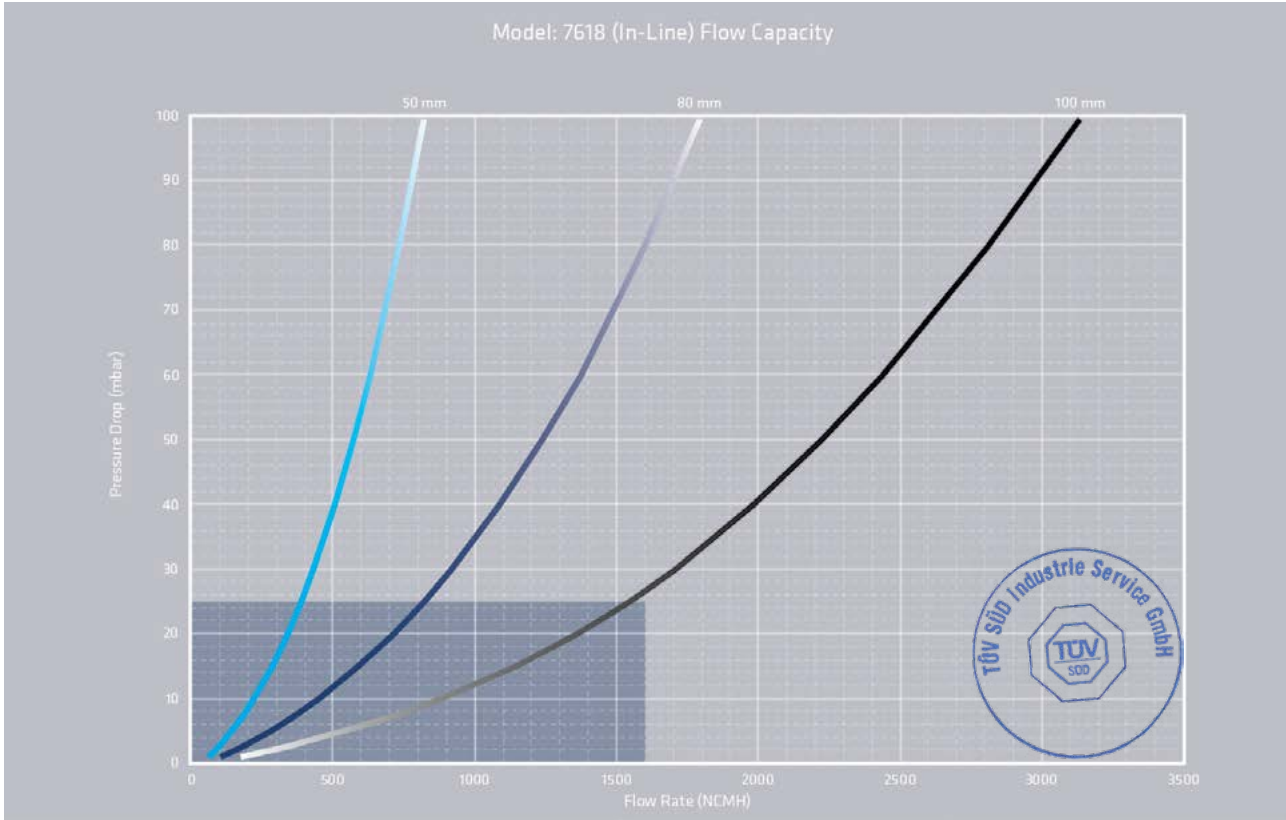
- The test equipment, procedures, and reporting methods utilized by Groth Corporation meet the requirements of standards API 2000/ISO 28300 and ISO 16852. The equipment, methods, and results have been reviewed and certified by TÜV SÜD.
- Flow data are for in-line mounting and does not include entrance losses or exit losses.
- Flow values based on air at 60°F venting to atmospheric pressure of 14.6959 psia

FLOW CAPACITY



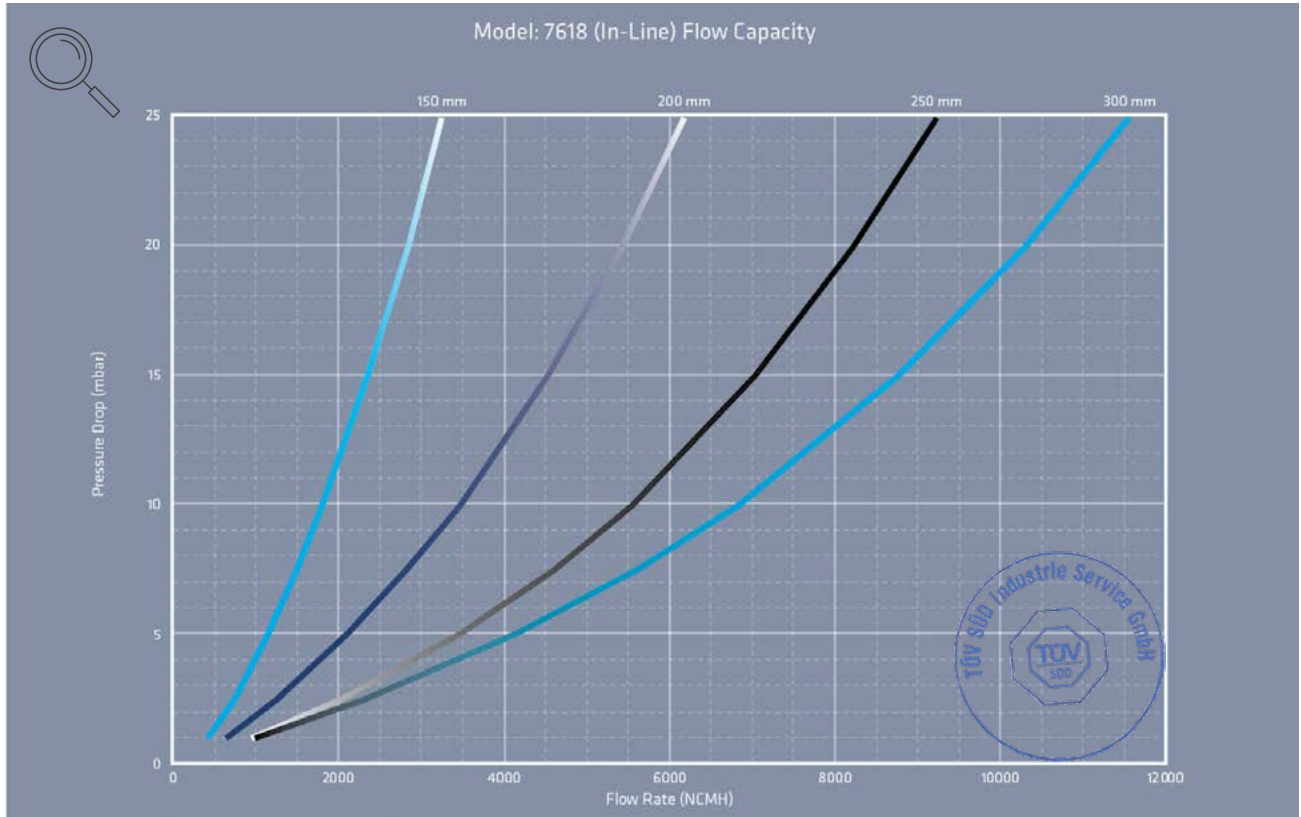
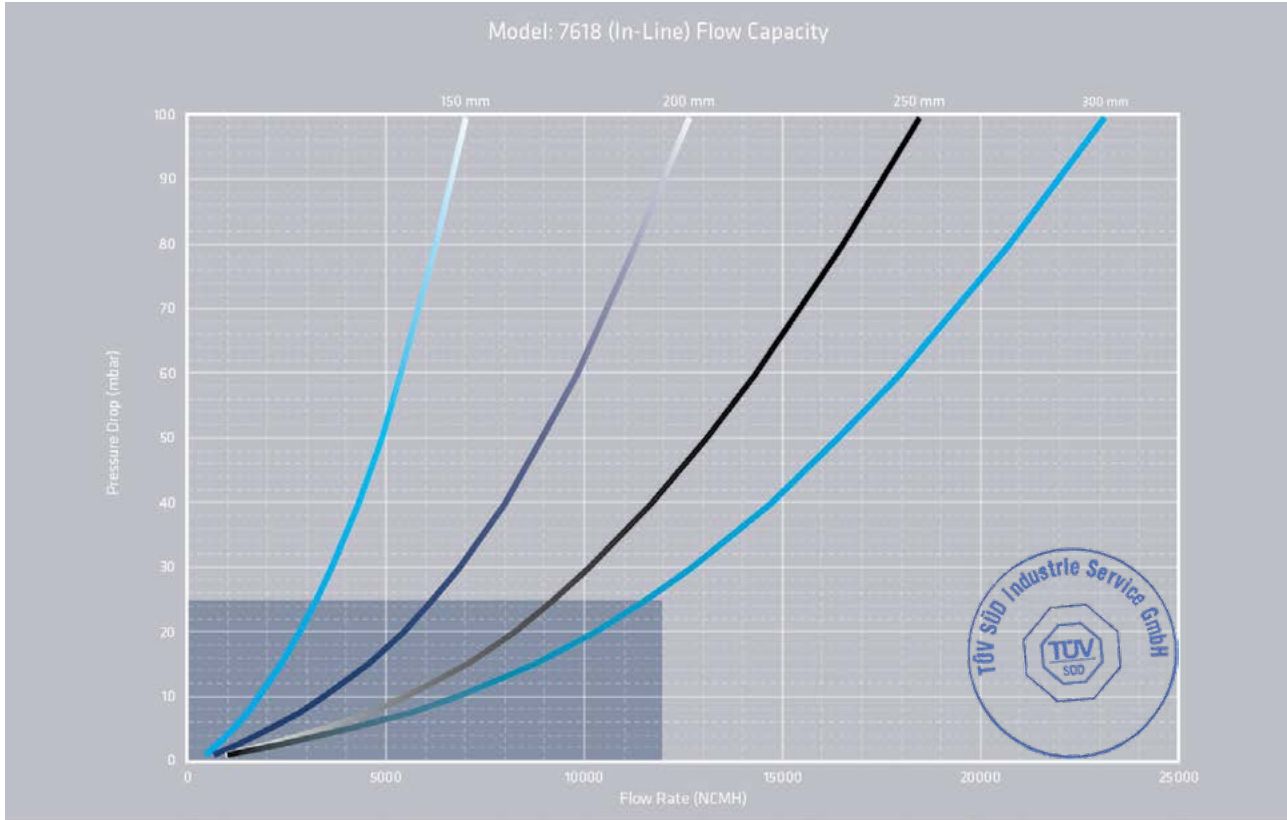
- The test equipment, procedures, and reporting methods utilized by Groth Corporation meet the requirements of standards API 2000/ISO 28300 and ISO 16852. The equipment, methods, and results have been reviewed and certified by TÜV SÜD.
- Flow data are for in-line mounting and does not include entrance losses or exit losses.
- Flow values based on air at 60°F venting to atmospheric pressure of 14.6959 psia

FLOW CAPACITY



- The test equipment, procedures, and reporting methods utilized by Groth Corporation meet the requirements of standards API 2000/ISO 28300 and ISO 16852. The equipment, methods, and results have been reviewed and certified by TÜV SÜD.
- Flow data are for in-line mounting and does not include entrance losses or exit losses.
- Flow values based on air at 0°C venting to atmospheric pressure of 1.01325 bara

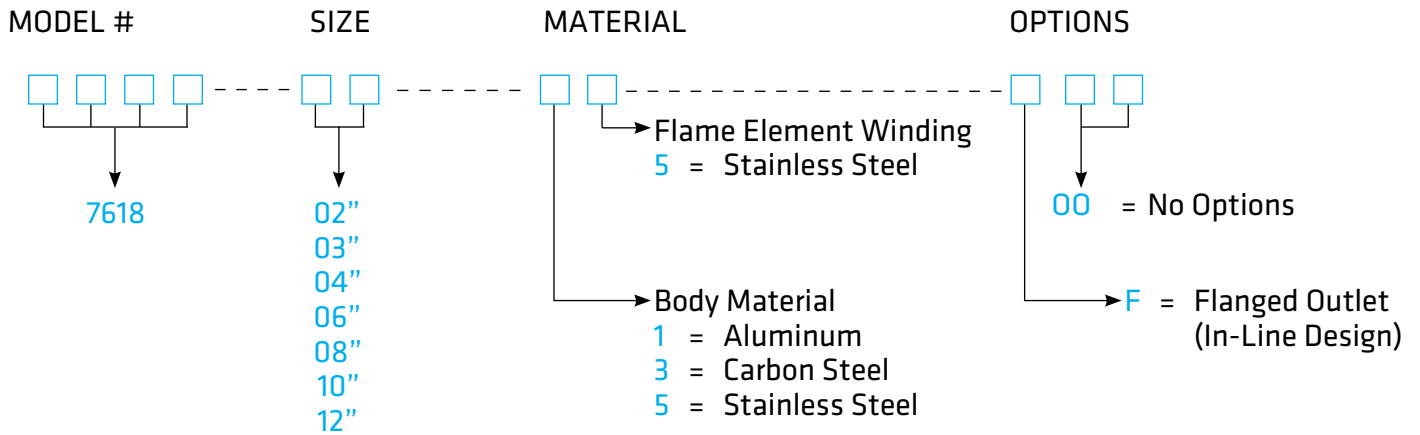
FLOW CAPACITY



- The test equipment, procedures, and reporting methods utilized by Groth Corporation meet the requirements of standards API 2000/ISO 28300 and ISO 16852. The equipment, methods, and results have been reviewed and certified by TÜV SÜD.
- Flow data are for in-line mounting and does not include entrance losses or exit losses.
- Flow values based on air at 0°C venting to atmospheric pressure of 1.01325 bara X-

HOW TO ORDER

For easy ordering, select proper model numbers



Notes

- Include model number and setting when ordering
- For special options, consult factory

Example

7 6 1 8 - 0 2 - 3 5 - F 0 0

Indicates a 2" Model 7618 with carbon steel bases + housing, stainless steel flame element, and no other options



GROTHCORP.COM