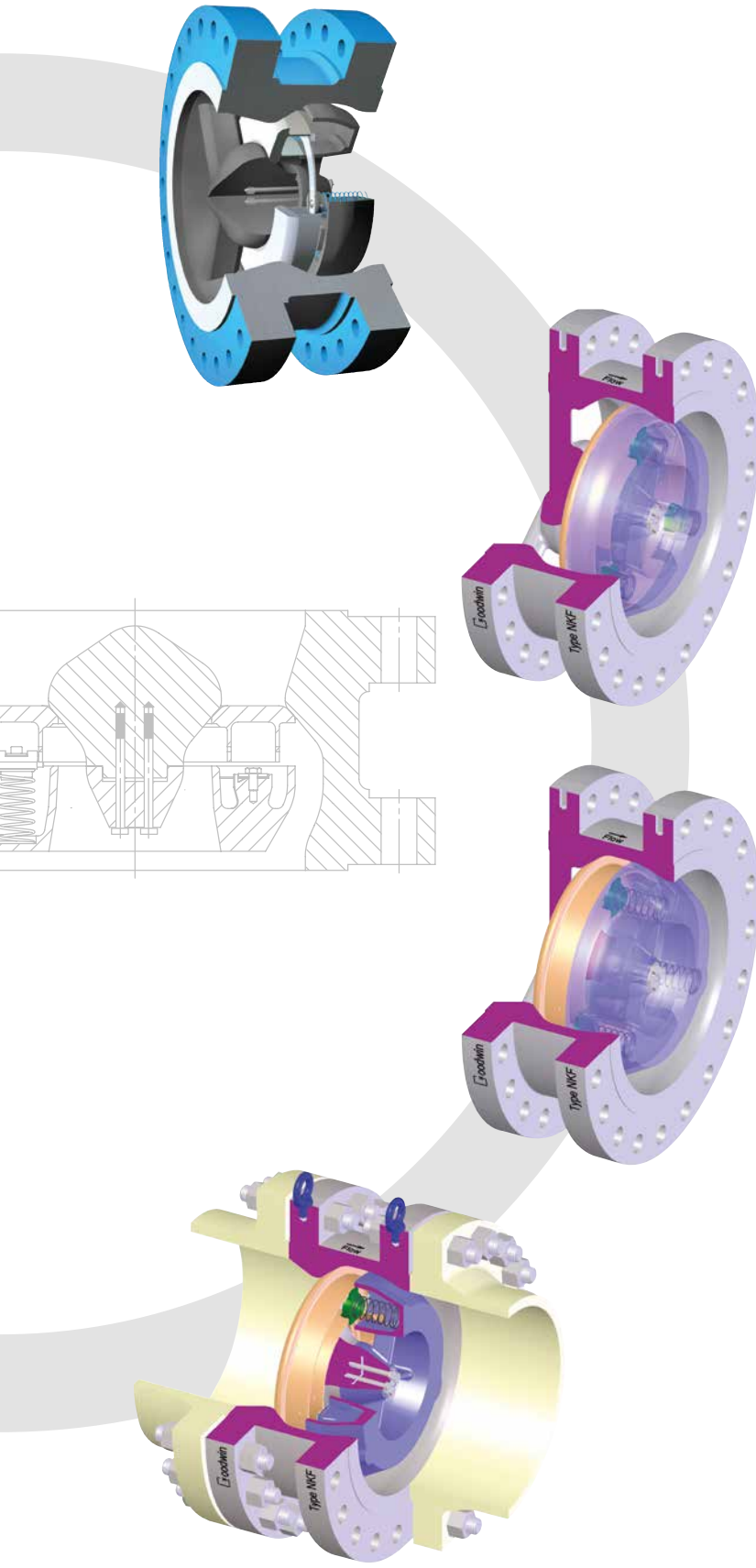


Ring Disc Type NK



The NK is the compact model of ring disc/radial guide design. With its short face-to-face and reduced weight, the compact NK is a lower cost solution to the NB when marginally higher pressure drops can be accepted.

Features

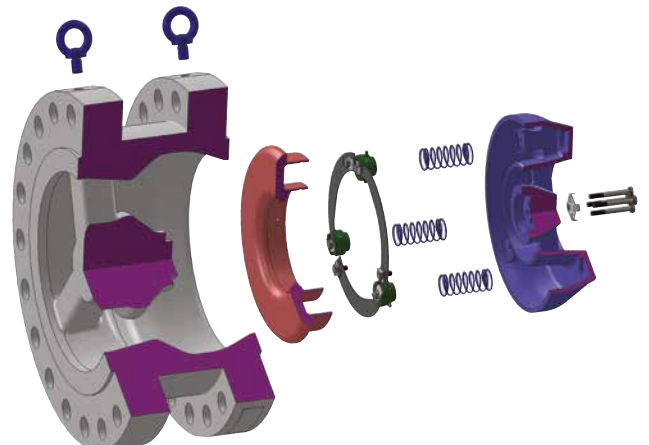
- Suitable for all liquids
- Non-slam closure
- Low pressure loss
- Friction-free valve disc guiding
- Metal sealing
- Short face-to-face length
- Low weight
- Maintenance free
- Valve design to ASME B16.34

End Connections Available

- Flanged
- Hub End
- Solid Lug
- Butt weld
- Wafer
- Compact Flange

TYPE NK

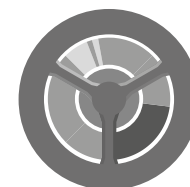
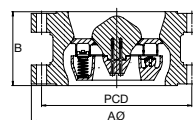
Goodwin Standard Compact Face-to-Face Dimensions (standard valves for 12" and above)



Type NKF

Installation Dimensions

Flanges according to ASME B16.5 /
ASME B16.47 SERIES A



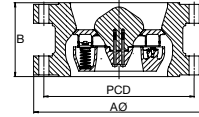
Size inches	Pressure Rating ASME	End Facing	A mm	B mm	Valve Weight kg	FLANGE DETAIL				
						HOLE P.C.D. No.	HOLE DIA. mm	STUD SELECTION		
								No.	DIA. Inches	*Length mm
12 (300mm)	150	RF	483	181	105	431.8	25.4	12	7/8	150
	300	RF	521	181	155	450.8	31.8	16	1 1/8	205
	600	RF/RJ-57	559	229	240	489.0	34.9	20	1 1/4	255
	900	RF/RJ-57	610	310	380	533.4	38.1	20	1 3/8	285
14 (350mm)	150	RF	533	222	160	476.3	28.6	12	1	165
	300	RF	584	222	230	514.4	31.8	20	1 1/8	210
	600	RF/RJ-61	603	273	320	527.0	38.1	20	1 3/8	265
	900	RF/RJ-62	641	356	440	558.8	41.3	20	1 1/2	310
16 (400mm)	150	RF	597	245	230	539.8	28.6	16	1	170
	300	RF	648	245	340	571.5	34.9	20	1 1/4	220
	600	RF/RJ-65	686	305	440	603.2	41.3	20	1 1/2	285
	900	RF/RJ-66	705	384	580	616.0	44.5	20	1 5/8	325
18 (450mm)	150	RF	635	264	260	577.9	31.8	16	1 1/8	180
	300	RF	711	264	350	628.6	34.9	24	1 1/4	230
	600	RF/RJ-69	743	362	570	654.0	44.5	20	1 5/8	305
	900	RF/RJ-70	787	420	800	685.8	50.8	20	1 7/8	365
20 (500mm)	150	RF	699	305	350	635.0	31.8	20	1 1/8	190
	300	RF	775	305	510	685.8	34.9	24	1 1/4	240
	600	RF/RJ-73	813	368	740	723.9	44.5	24	1 5/8	325
	900	RF/RJ-74	857	430	900	749.3	54.0	20	2	385
24 (600mm)	150	RF	813	370	560	749.3	34.9	20	1 1/4	205
	300	RF	914	370	780	812.8	41.3	24	1 1/2	265
	600	RF/RJ-77	940	438	1120	838.2	50.8	24	1 7/8	365
	900	RF/RJ-78	1041	495	1650	901.7	66.7	20	2 1/2	485
28 (700mm)	150	RF	927	430	820	863.6	34.9	28	1 1/4	255
	300	RF	1035	430	1250	939.8	44.5	28	1 5/8	305
	600	RF/RJ-93	1073	480	1600	965.2	54.0	28	2	405
	900	RF/RJ-100	1168	540	2250	1022.4	79.4	20	3	525
30 (750mm)	150	RF	984	460	950	914.4	34.9	28	1 1/4	260
	300	RF	1092	460	1330	997.0	47.6	28	1 3/4	325
	600	RF/RJ-95	1130	505	1760	1022.4	54.0	28	2	410
	900	RF/RJ-102	1232	560	2600	1085.8	79.4	20	3	540
32 (800mm)	150	RF	1060	500	1090	977.9	41.3	28	1 1/2	290
	300	RF	1149	500	1500	1054.1	50.8	28	1 7/8	345
	600	RF/RJ-96	1194	584	2100	1079.5	60.3	28	2 1/4	430
	900	RF/RJ-103	1314	0A	0A	1155.7	85.7	20	3 1/4	570

* Where Ring Joint Facing shown in End Facing, Stud lengths based on Ring Joint flange connection.

Type NKF

Installation Dimensions

Flanges according to ASME B16.5 /
ASME B16.47 SERIES A



Size inches	Pressure Rating ASME	End Facing	A mm	B mm	Valve Weight kg	FLANGE DETAIL				
						HOLE P.C.D. No.	HOLE DIA. mm	STUD SELECTION		
								No.	DIA. Inches	*Length mm
36 (900mm)	150	RF	1168	600	1600	1085.8	41.3	32	1 1/2	305
	300	RF	1270	600	2100	1168.4	54.0	32	2	360
	600	RF/RJ-98	1314	635	2800	1193.8	66.7	28	2 1/2	455
	900	RF/RJ-105	1461	690	4700	1289.0	92.1	20	3 1/2	615
40 (1000mm)	150	RF	1289	650	2100	1200.2	41.3	36	1 1/2	320
	300	RF	1238	650	2120	1155.7	44.5	32	1 5/8	370
	600	RF	1321	820	3200	1212.9	60.3	32	2 1/4	520
	900	RF	1511	970	6400	1339.8	92.1	24	3 1/2	650
42 (1050mm)	150	RF	1346	670	2500	1257.3	41.3	36	1 1/2	320
	300	RF	1289	720	2600	1206.5	44.5	32	1 5/8	370
	600	RF	1403	870	4100	1282.7	66.7	28	2 1/2	520
	900	RF	1562	1100	6700	1390.6	92.1	24	3 1/2	650
48 (1200mm)	150	RF	1511	740	3300	1422.4	41.3	44	1 1/2	340
	300	RF	1467	840	3600	1371.6	50.8	32	1 7/8	410
	600	RF	1594	970	5850	1460.5	73.0	32	2 3/4	575
	900	RF	1785	1200	8300	1587.5	104.8	24	4	670

* Where Ring Joint Facing shown in End Facing, Stud lengths based on Ring Joint flange connection.

Flanges according to ASME B16.47 SERIES B

Size inches	Pressure Rating ASME	End Facing	A mm	B mm	Valve Weight kg	FLANGE DETAIL				
						HOLE P.C.D. No.	HOLE DIA. mm	STUD SELECTION		
								No.	DIA. Inches	*Length mm
28 (700mm)	150	RF	837	430	820	795.3	22.2	40	3/4	175
	300	RF	921	430	960	857.2	34.9	36	1 1/4	290
	600	RF/RJ-94	953	480	1600	863.6	47.6	28	1 3/4	395
	900	RF/RJ-101	1105	540	2250	971.6	73.0	20	2 3/4	515
30 (750mm)	150	RF	887	460	950	846.1	22.2	44	3/4	175
	300	RF	991	460	1330	920.8	38.1	36	1 3/8	305
	600	RF/RJ-95	1022	505	1760	927.1	50.8	28	1 7/8	420
	900	RF/RJ-102	1181	560	2600	1035.0	79.4	20	3	545
32 (800mm)	150	RF	941	500	1090	900.1	22.2	48	3/4	175
	300	RF	1054	500	1500	977.9	41.3	32	1 1/2	330
	600	RF/RJ-96	1086	584	2100	984.2	54.0	28	2	440
	900	RF/RJ-103	1238	OA	OA	1092.2	79.4	20	3	555
36 (900mm)	150	RF	1057	560	1600	1009.6	25.4	44	7/8	195
	300	RF	1172	560	2100	1089.0	44.5	32	1 5/8	340
	600	RF/RJ-98	1213	635	2800	1104.9	60.3	28	2 1/4	480
	900	RF/RJ-105	1346	690	4700	1200.2	79.4	24	3	585
40 (1000mm)	150	RF	1175	650	2100	1120.8	28.6	44	1	210
	300	RF	1273	650	2120	1190.6	44.5	40	1 5/8	365
42 (1050mm)	150	RF	1226	670	2500	1171.6	28.6	48	1	215
	300	RF	1334	720	2600	1244.6	47.6	36	1 3/4	375
48 (1200mm)	150	RF	1392	740	3300	1335.1	31.8	44	1 1/8	235
	300	RF	1511	840	3600	1416.0	50.8	40	1 7/8	400

* Where Ring Joint Facing shown in End Facing, Stud lengths based on Ring Joint flange connection.