

Ring Disc Type NB & ND

The NB employs the worldwide proven ring disc/radial guide design. With its friction free guiding and the aerodynamic flowpath through its two ring shaped flow ports, the NB is "best in class" for speed of response and flow capacity.

Features

- Suitable for all liquids
- Non-slam closure
- Very low pressure loss
- Friction-free valve disc guiding
- Metal sealing
- Maintenance free
- Valve design to ASME B16.34

End Connections Available

- Flanged
- Buttweld
- Hub End
- Compact flange

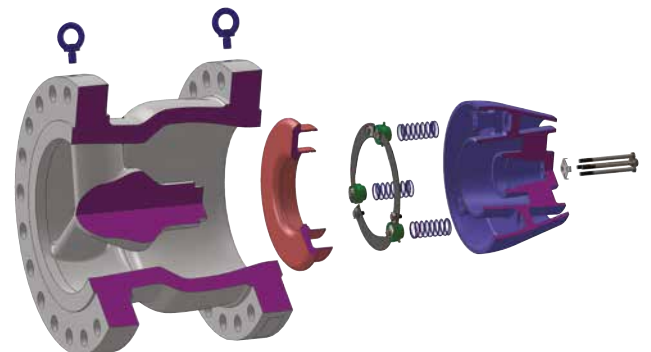
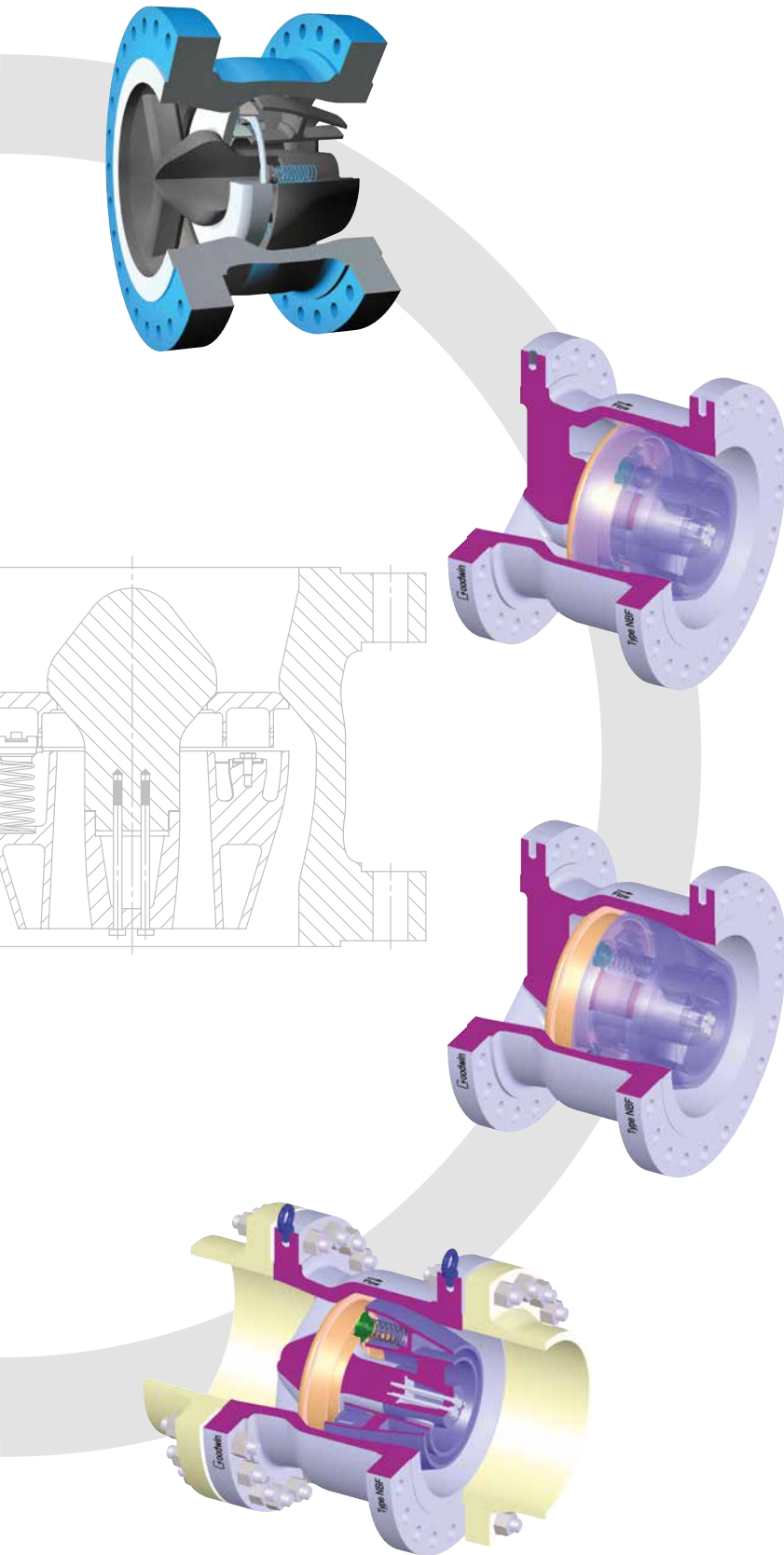
TYPE NB

Goodwin Standard Long Face-to-Face Dimensions (standard long face-to-face for 12" and above)

TYPE ND

API 6D Face-to-Face Dimensions

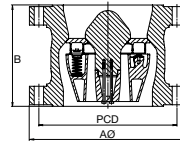
Buttweld and Hub End valve face to face dimensions and weights are available upon request.



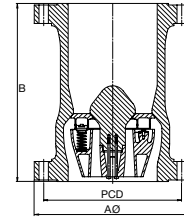
Type NBF & NDF

Installation Dimensions

Flanges according to ASME B16.5 /
ASME B16.47 SERIES A (MSS SP44)



NBF



NDF



Size inches	Pressure Rating ASME	End Facing	Type NBF Standard Face-to-Face			Type NDF API 6D Face-to-Face			FLANGE DETAIL				
			A mm	B mm	† Valve Weight kg	B RF mm	B RJ mm	† Valve Weight kg	HOLE P.C.D. No.	HOLE DIA. mm	STUD SELECTION		
											No.	DIA. Inches	*Length mm
12 (300mm)	150	RF	483	350	175	699	---	341	431.8	25.4	12	7/8	150
	300	RF	521	350	235	711	---	400	450.8	31.8	16	1 1/8	205
	600	RF/RJ-57	559	375	310	838	841	623	489.0	34.9	20	1 1/4	255
	900	RF/RJ-57	610	340	390	965	968	966	533.4	38.1	20	1 3/8	285
	1500	RF/RJ-58	673	440	705	1130	1146	1638	571.5	54.0	16	2	415
	2500	RF/RJ-60	762	580	1286	1422	1445	2975	619.1	73.0	12	2 3/4	585
14 (350mm)	150	RF	533	405	245	787	---	480	476.3	28.6	12	1	165
	300	RF	584	405	330	838	---	601	514.4	31.8	20	1 1/8	210
	600	RF/RJ-61	603	440	410	889	892	819	527.0	38.1	20	1 3/8	265
	900	RF/RJ-62	641	490	510	1029	1038	1211	558.8	41.3	20	1 1/2	310
	1500	RF/RJ-63	749	490	1040	1257	1276	2114	635.0	60.3	16	2 1/4	455
16 (400mm)	150	RF	597	455	345	864	---	714	539.8	28.6	16	1	170
	300	RF	648	455	435	864	---	805	571.5	34.9	20	1 1/4	220
	600	RF/RJ-65	686	500	610	991	994	1120	603.2	41.3	20	1 1/2	285
	900	RF/RJ-66	705	470	760	1130	1140	1407	616.0	44.5	20	1 5/8	325
	1500	RF/RJ-67	826	530	1280	1384	1407	1417	704.8	66.7	16	2 1/2	500
18 (450mm)	150	RF	635	520	425	978	---	868	577.9	31.8	16	1 1/8	180
	300	RF	711	520	580	978	---	1036	628.6	34.9	24	1 1/4	230
	600	RF/RJ-69	743	565	790	1092	1095	1442	654.0	44.5	20	1 5/8	305
	900	RF/RJ-70	787	530	960	1219	1232	1960	685.8	50.8	20	1 7/8	365
	1500	RF/RJ-71	914	580	1600	1537	1559	3955	774.7	73.0	16	2 3/4	555
20 (500mm)	150	RF	699	570	560	978	---	970	635.0	31.8	20	1 1/8	190
	300	RF	775	570	760	1016	---	1217	685.8	34.9	24	1 1/4	240
	600	RF/RJ-73	813	625	1170	1194	1200	1840	723.9	44.5	24	1 5/8	325
	900	RF/RJ-74	857	595	1260	1321	1334	2422	749.3	54.0	20	2	385
	1500	RF/RJ-75	984	655	2100	1664	1686	5124	831.8	79.4	16	3	590
24 (600mm)	150	RF	813	685	890	1295	---	1691	749.3	34.9	20	1 1/4	205
	300	RF	914	685	1240	1346	---	2177	812.8	41.3	24	1 1/2	265
	600	RF/RJ-77	940	745	1630	1397	1407	2513	838.2	50.8	24	1 7/8	365
	900	RF/RJ-78	1041	665	1980	1549	1568	3661	901.7	66.7	20	2 1/2	485
	1500	RF/RJ-79	1168	750	3300	1943	1972	8183	990.6	92.1	16	3 1/2	675
28 (700mm)	150	RF	927	800	1330	1448	---	1996	863.6	34.9	28	1 1/4	255
	300	RF	1035	800	1800	1499	---	2860	939.8	44.5	28	1 5/8	305
	600	RF/RJ-93	1073	870	2450	1600	1613	4212	965.2	54.0	28	2	405
	900	RF/RJ-100	1168	860	2890	---	---	---	1022.4	79.4	20	3	525
30 (750mm)	150	RF	984	855	1990	1524	---	2353	914.4	34.9	28	1 1/4	260
	300	RF	1092	855	2150	1594	---	3523	997.0	47.6	28	1 3/4	325
	600	RF/RJ-95	1130	930	2570	1651	1664	4784	1022.4	54.0	28	2	410
	900	RF/RJ-102	1232	925	3540	---	---	---	1085.8	79.4	20	3	540
32 (800mm)	150	RF	1060	910	1990	---	---	---	977.9	41.3	28	1 1/2	290
	300	RF	1149	910	2200	---	---	---	1054.1	50.8	28	1 7/8	345
	600	RF/RJ-96	1194	990	3200	---	---	---	1079.5	60.3	28	2 1/4	430
	900	RF/RJ-103	1314	925	4900	---	---	---	1155.7	85.7	20	3 1/4	570

* Where Ring Joint Facing shown in End Facing, Stud lengths based on Ring Joint flange connection.

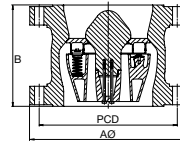
† Weights are for valve only and exclude mating flanges and bolting. Weight will vary according to corrosion allowance specification.

Type NBF & NDF

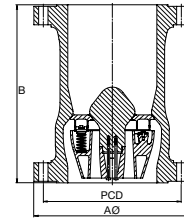
Installation Dimensions

Flanges according to

ASME B16.47 SERIES A (MSS SP44)



NBF



NDF



Size inches	Pressure Rating ASME	End Facing	Type NBF Standard Face-to-Face			Type NDF API 6D Face-to-Face			FLANGE DETAIL				
			A mm	B mm	† Valve Weight kg	B RF mm	B RJ mm	† Valve Weight kg	HOLE P.C.D. No.	HOLE DIA. mm	STUD SELECTION		
											No.	DIA. Inches	*Length mm
36 (900mm)	150	RF	1168	1030	2300	1956	---	3556	1085.8	41.3	32	1 1/2	305
	300	RF	1270	1030	3100	2083	---	5727	1168.4	54.0	32	2	360
	600	RF/RJ-98	1314	1120	4100	2083	---	7261	1193.8	66.7	28	2 1/2	455
	900	RF/RJ-105	1461	1050	5900	---	---	---	1289.0	92.1	20	3 1/2	615
40 (1000mm)	150	RF	1289	1135	3400	---	---	---	1200.2	41.3	36	1 1/2	305
	300	RF	1238	1135	3900	---	---	---	1155.7	44.5	32	1 5/8	360
	600	RF	1321	1240	5400	---	---	---	1212.9	60.3	32	2 1/4	490
	900	RF	1511	1185	OA	---	---	---	1339.8	92.1	24	3 1/2	630
42 (1050mm)	150	RF	1346	1195	3600	---	---	---	1257.3	41.3	36	1 1/2	320
	300	RF	1289	1195	4100	---	---	---	1206.5	44.5	32	1 5/8	370
	600	RF	1403	1300	5800	---	---	---	1282.7	66.7	28	2 1/2	520
	900	RF	1562	1250	OA	---	---	---	1390.6	92.1	24	3 1/2	650
48 (1200mm)	150	RF	1511	1365	5200	---	---	---	1422.4	41.3	44	1 1/2	340
	300	RF	1467	1365	6000	---	---	---	1371.6	50.8	32	1 7/8	410
	600	RF	1594	1485	8800	---	---	---	1460.5	73.0	32	2 3/4	575
	900	RF	1785	1450	OA	---	---	---	1587.5	104.8	24	4	670

Flanges according to ASME B16.47 SERIES B (API 605)

Size inches	Pressure Rating ASME	End Facing	Type NBF Standard Face-to-Face			Type NDF API 6D Face-to-Face			FLANGE DETAIL				
			A mm	B mm	† Valve Weight kg	B RF mm	B RJ mm	† Valve Weight kg	HOLE P.C.D. No.	HOLE DIA. mm	STUD SELECTION		
											No.	DIA. Inches	*Length mm
28 (700mm)	150	RF	837	800	1330	1448	---	1775	795.3	22.2	40	3/4	175
	300	RF	921	800	1800	1499	---	2535	857.2	34.9	36	1 1/4	290
	600	RF/RJ-94	953	870	2450	1600	1613	3705	863.6	47.6	28	1 3/4	395
	900	RF/RJ-101	1105	860	2890	---	---	---	971.6	73.0	20	2 3/4	515
30 (750mm)	150	RF	887	855	1590	1524	---	2080	846.1	22.2	44	3/4	175
	300	RF	991	855	2150	1594	---	3250	920.8	38.1	36	1 3/8	305
	600	RF/RJ-95	1022	930	2570	1651	1664	4472	927.1	50.8	28	1 7/8	420
	900	RF/RJ-102	1181	925	3540	---	---	---	1035.0	79.4	20	3	545
32 (800mm)	150	RF	941	910	1990	---	---	---	900.1	22.2	48	3/4	175
	300	RF	1054	910	2200	---	---	---	977.9	41.3	32	1 1/2	330
	600	RF/RJ-96	1086	990	3200	---	---	---	984.2	54.0	28	2	440
	900	RF/RJ-103	1238	925	4900	---	---	---	1092.2	79.4	20	3	555
36 (900mm)	150	RF	1057	1030	2300	1956	---	3062	1009.6	25.4	44	7/8	195
	300	RF	1172	1030	3100	2083	---	5285	1089.0	44.5	32	1 5/8	340
	600	RF/RJ-98	1213	1120	4100	2083	---	6832	1104.9	60.3	28	2 1/4	480
	900	RF/RJ-105	1346	1050	5900	---	---	---	1200.2	79.4	24	3	585
40 (1000mm)	150	RF	1175	1135	3400	---	---	---	1120.8	28.6	44	1	210
	300	RF	1273	1135	3900	---	---	---	1190.6	44.5	40	1 5/8	365
42 (1050mm)	150	RF	1226	1195	3600	---	---	---	1171.6	28.6	48	1	215
	300	RF	1334	1195	4100	---	---	---	1244.6	47.6	36	1 3/4	375
48 (1200mm)	150	RF	1392	1365	5200	---	---	---	1335.1	31.8	44	1 1/8	235
	300	RF	1511	1365	6000	---	---	---	1416.0	50.8	40	1 7/8	400

* Where Ring Joint Facing shown in End Facing, Stud lengths based on Ring Joint flange connection.

† Weights are for valve only and exclude mating flanges and bolting. Weight will vary according to corrosion allowance specification.

INNOVATION IN THE PIPELINE