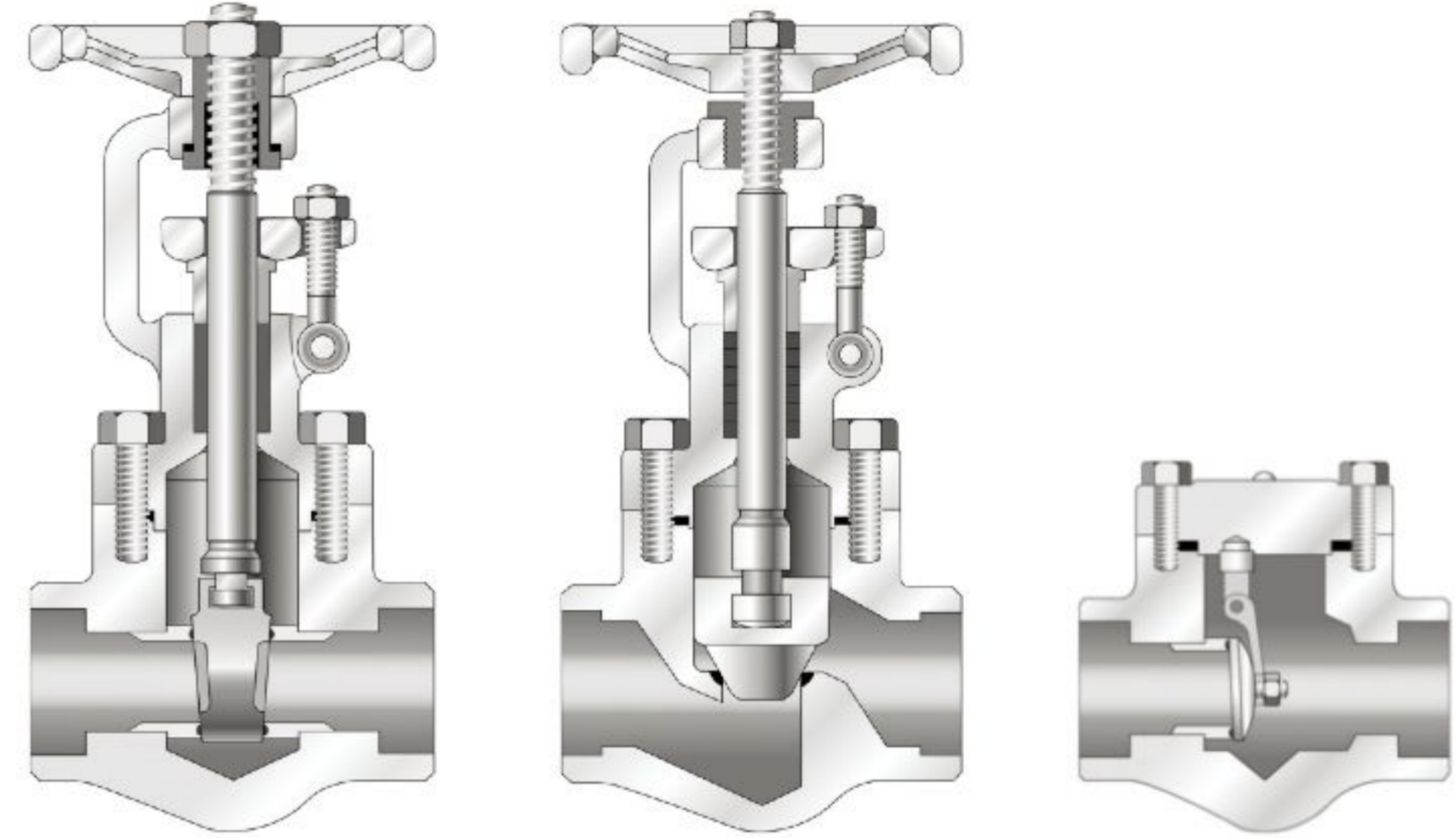




HAWKS
PRODUCT CATALOGUE

API602 Forged Steel Valve



Design Feature

- Full port or Reduce Port
- Bolted or Welded Bonnet
- Solid Wedge(Gate)
- Optional Plug or Needle Disc(Globe)
- Optional Swing or Piston(Check)

Product Range

Type	Gate, Globe, Check
Size	1/2"~2"
Rating	800~2500LB
Body material	Carbon Steel, Alloy Steel, Stainless Steel
End Connection	NPT, SW, RF, RTJ, BW