

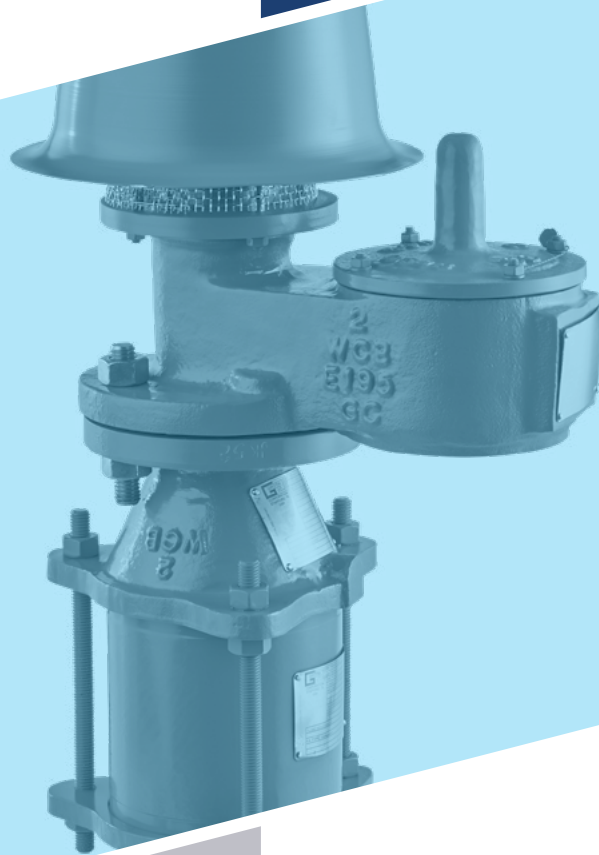


®

CORPORATION

PRESSURE/VACUUM VALVE & FLAME ARRESTER

MODEL 8800A



MODEL 8800A

The Groth Model 8800A Pressure/Vacuum Relief Valve & Flame Arrester are designed to protect your tank from damage created by overpressure or excessive vacuum, at the same time they provide protection from flame propagation. The result is reduced emission level and increased fire protection and safety.

Technical Details

- Sizes: 2" (DN 50) through 12" (DN 300)
- Pressure Settings 0.5oz/in² to 15 psig
- Vacuum Settings: 0.5 oz/in² to 12 psig
- Materials: Aluminum, Carbon Steel, Stainless Steel and other materials

Features

- Cushioned Air Seating
- Fluoropolymer seating diaphragms are standard to minimize sticking caused by resinous vapors and atmospheric moisture
- Self draining housing and drip rings
- Spiral-wound, crimped ribbon flame element
- Modular Construction

Options

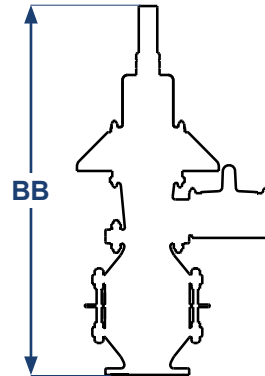
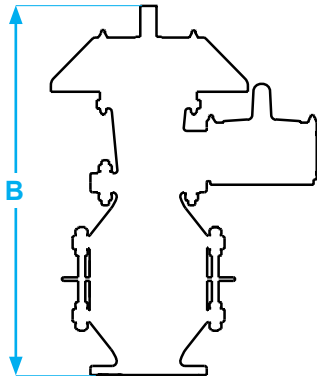
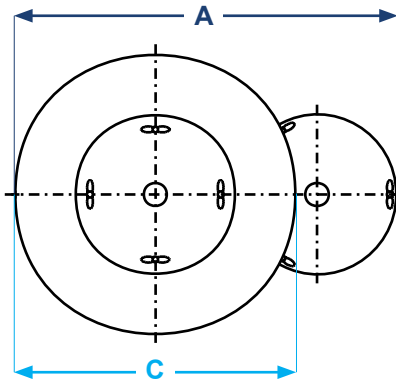
- Buna-N, Fluoropolymer, FKM



SPECIFICATIONS

Inlet Flg ^o In (mm)	Max. Set Pressure Weight Loaded	Max. Set Vacuum. Weight Loaded oz/in ² (gm/cm ²)	Max. Setting Spring Loaded	Min. Setting Weight Loaded	Max. W.P. [†] for Min. Vacuum Setting	Min. Vac. Setting for Max. W.P. [†]	A Length In (mm)	B Height In (mm)	BB Height In (mm)	C Width In (mm)	Approx. Ship Al Wt. Lbs (kg)
2 (50)	16 oz/in ² (70.3 gm/cm ²)	12 (52.7)	15 psig SPRING LOADED PRESSURE (1.05 kg/cm ²) 12 psig SPRING LOADED VACUUM (0.84 kg/cm ²)	*0.5 oz/in ² WEIGHT LOADED (2.20 gm/cm ²)	See TPD2 for Vacuum Settings and MAWP		13.63 (346)	28.5 (724)	33.87 (860)	9.50"	35 (16)
3 (80)		11 (48.3)					18 (457)	29.63 (752)	38.75 (984)	11.50 (292)	45 (20)
4 (100)		11 (48.3)					19.75 (502)	34.63 (879)	46.25 (1175)	13 (330)	70 (32)
6 (150)		16 (70.3)					28.75 (730)	43.25 (1099)	58.75 (1492)	19 (482)	125 (57)
8 (200)		16 (70.3)					36 (914)	51.38 (1305)	69.50 (1765)	23.63 (600)	210 (95)
10 (250)		16 (70.3)					42 (1067)	58.88 (1495)	83 (2108)	30.75 (781)	350 (160)
12 (300)		16 (70.3)					48.50 (1232)	65.38 (1661)	88.12 (2238)	35.75 (908)	500 (227)

†W.P. = Working Pressure. ‡On spring loaded valves, change model number. ◊150# ANSI drilling compatibility, F.F. on aluminum and R.F. on carbon steel and stainless steel alloys. 16 oz/in² set with spacer. SS set weights-consult factory. *Some sizes require non-ferrous components to achieve 0.5 oz/in² setting.



PRESSURE RELIEF CAPACITY

Air Flow Capacity at 100% Overpressure (Double Set Pressure)
1000 Standard Cubic Feet per Hour at 60° F

Set Pressure (P _s)		Size In (mm)						
InWC	oz/in ²	2 (50)	3 (80)	4 (100)	6 (150)	8 (200)	10 (250)	12 (300)
0.87	0.50	3.01	5.98	10.7	21.5	34.8	55.2	62.3
1.00	0.58	3.29	6.68	12.0	24.2	39.2	62.1	72.0
1.73	1.00	4.56	9.70	17.6	36.3	58.4	92.0	112
2.00	1.16	4.96	10.7	19.3	39.9	64.2	101	125
2.60	1.50	5.76	12.6	22.7	47.2	75.9	120	148
3.00	1.73	6.26	13.7	24.8	51.7	82.9	131	163
3.46	2.00	6.79	15.0	27.1	56.4	90.5	143	178
4.00	2.31	7.36	16.3	29.5	61.5	99.0	155	195
6.00	3.47	9.20	20.6	37.3	78.1	125	197	249
8.00	4.62	10.9	24.3	44.0	92.2	148	233	295
10.0	5.78	12.3	27.6	50.0	105	168	264	335
12.0	6.93	13.6	30.6	55.4	116	186	293	372
15.0	8.66	15.4	34.6	62.8	132	211	332	422
20.0	11.6	18.0	40.7	73.7	155	248	390	497
25.0	14.4	20.4	46.0	83.5	175	281	442	563
30.0	17.3	22.6	50.9	92.4	194	311	489	623

Flow Capacity Calculation

Flow capacity values listed above are based on full open valves at 100% overpressure. Read the flow capacity at 100% overpressure directly from the table above. Use linear std. If the allowable overpressure is less than 100%, modify the flow capacity using the appropriate "C" factor from the table. If allowable overpressure is more than 100%, consult your Groth Representative.

Calculate the percentage overpressure by the following formula. Note that all pressures are gauge pressure expressed in the same units of measure.

P_f = Flowing pressure

P_s = Set pressure

$$\% \text{ OP} = [(P_f - P_s) / P_s] \times 100$$

Calculate flow capacity at less than 100% overpressure according to the following example.

Example Flow Capacity Calculation

6" Model 8800A

4 InWC set pressure [P_s]

7 InWC flowing pressure [P_f]

1. Read flow capacity at set pressure from table Flow = 61,500 SCFH

2. Calculate overpressure

$$\% \text{ OP} = [(7 - 4) / 4] \times 100 = 75\%$$

3. Read "C" factor from table

$$\text{"C"} = 0.87$$

4. Calculate flow capacity

$$\text{Flow} = 0.87 \times 61,500 = 53,505 \text{ SCFH}$$

"C" Factor Table

%OP	0	1	2	3	4	5	6	7	8	9
10	... Consult Factory...									
20										
30										
40										
50	0.72	0.73	0.73	0.74	0.75	0.75	0.76	0.77	0.77	0.78
60	0.78	0.79	0.80	0.80	0.81	0.81	0.82	0.82	0.83	0.84
70	0.84	0.85	0.85	0.86	0.86	0.87	0.88	0.88	0.89	0.89
80	0.90	0.90	0.91	0.91	0.92	0.92	0.93	0.93	0.94	0.94
90	0.95	0.95	0.96	0.96	0.97	0.97	0.98	0.99	0.99	1.00

Example to find "C" factor from table:

Read "C" factor for 75% overpressure at intersection of row 70 and column 5

"C" factor at 75% OP = 0.87

PRESSURE RELIEF CAPACITY

Air Flow Capacity at 100% Overpressure (Double Set Pressure)
1000 Normal Cubic Meters per Hour at 0° C

Set Pressure (P _s) mmWC	Size In (mm)						
	2 (50)	3 (80)	4 (100)	6 (150)	8 (200)	10 (250)	12 (300)
22.0	0.09	0.18	0.32	0.64	1.04	1.65	1.91
50.0	0.14	0.30	0.55	1.13	1.82	2.87	3.53
75.0	0.18	0.39	0.70	1.46	2.35	3.70	4.62
100	0.21	0.46	0.83	1.74	2.80	4.40	5.53
150	0.26	0.58	1.06	2.21	3.55	5.59	7.05
200	0.31	0.69	1.25	2.61	4.19	6.59	8.35
250	0.35	0.78	1.42	2.97	4.76	7.48	9.50
300	0.39	0.87	1.57	3.29	5.27	8.30	10.5
375	0.44	0.98	1.78	3.73	5.98	9.41	12.0
500	0.51	1.15	2.09	4.39	7.02	11.0	14.1
625	0.58	1.30	2.36	4.97	7.96	12.5	15.9
750	0.64	1.44	2.62	5.50	8.80	13.8	17.6

Flow Capacity Calculation

Flow capacity values listed above are based on full open valves at 100% overpressure. Read the flow capacity at 100% overpressure directly from the table above. Use linear interpolation if the set pressure is not listed. If the allowable overpressure is less than 100%, modify the flow capacity using the appropriate "C" factor from the table. If allowable overpressure is more than 100%, consult your Groth Representative.

Calculate the percentage overpressure by the following formula. Note that all pressures are gauge pressure expressed in the same units of measure.

$$\begin{aligned} P_f &= \text{Flowing pressure} \\ P_s &= \text{Set pressure} \\ \% \text{ OP} &= [(P_f - P_s) / P_s] \times 100 \end{aligned}$$

Calculate flow capacity at less than 100% overpressure according to the following example.

Example Flow Capacity Calculation

6" Model 8800A

150 mmWC Set Pressure [P_s]

250 mmWC Flowing Pressure [P_f]

1. Read flow capacity at set pressure from table Flow = 2,210 NCMH
2. Calculate overpressure % OP = [(250 - 150)/150] x 100 = 67%
3. Read "C" factor from table "C" = 0.82
4. Calculate flow capacity Flow = 0.82 x 2,210 = 1,812 NCMH

"C" Factor Table										
%OP	0	1	2	3	4	5	6	7	8	9
10	... Consult Factory...									
20										
30										
40										
50	0.72	0.73	0.73	0.74	0.75	0.75	0.76	0.77	0.77	0.78
60	0.78	0.79	0.80	0.80	0.81	0.81	0.82	0.82	0.83	0.84
70	0.84	0.85	0.85	0.86	0.86	0.87	0.88	0.88	0.89	0.89
80	0.90	0.90	0.91	0.91	0.92	0.92	0.93	0.93	0.94	0.94
90	0.95	0.95	0.96	0.96	0.97	0.97	0.98	0.99	0.99	1.00

Example to find "C" factor from table:

Read "C" factor for 67% overpressure at intersection of row 60 and column 7

"C" factor at 67% OP = 0.82

VACUUM RELIEF CAPACITY

Air Flow Capacity at 100% Over-vacuum (Double Set Vacuum)
1000 Standard Cubic Feet per Hour at 60° F

Set Vacuum (P _s)		Size In (mm)						
InWC	oz/in ²	2 (50)	3 (80)	4 (100)	6 (150)	8 (200)	10 (250)	12 (300)
0.87	0.50	2.55	5.19	8.80	17.9	28.6	44.3	53.6
1.00	0.58	2.77	5.73	9.70	19.8	31.6	48.9	60.4
1.73	1.00	3.78	8.15	13.6	28.3	45.1	69.4	89.8
2.00	1.16	4.10	8.90	14.9	31.0	49.3	75.8	99.0
2.60	1.50	4.74	10.4	17.4	36.2	57.7	88.6	117
3.00	1.73	5.14	11.3	18.9	39.5	62.9	96	128
3.46	2.00	5.56	12.3	20.5	42.9	68.4	105	139
4.00	2.31	6.03	13.4	22.3	46.7	74.4	114	152
6.00	3.47	7.54	16.9	28.1	58.9	93.8	144	193
8.00	4.62	8.84	19.9	33.0	69.4	110	169	227
10.0	5.78	10.0	22.5	37.4	78.6	125	192	258
12.0	6.93	11.1	24.9	41.5	87.1	139	212	286
15.0	8.66	12.5	28.2	46.9	98.6	157	240	324
20.0	11.6	14.7	33.1	55.1	116	184	282	381
25.0	14.4	16.6	37.5	62.3	131	209	319	432
30.0	17.3	18.3	41.5	68.9	145	231	353	478

Flow Capacity Calculation

Flow capacity values listed above are based on full open valves at 100% over-vacuum. Read the flow capacity at 100% over-vacuum directly from the table above. Use linear interpolation if the set vacuum is not listed. If the allowable over-vacuum is less than 100%, modify the flow capacity using the appropriate "C" factor from the table. If allowable over-vacuum is more than 100%, consult your Groth Representative.

Calculate the percentage over-vacuum by the following formula. Note that all pressures are gauge pressure expressed in the same units of measure.

$$P_f = \text{Flowing pressure}$$

$$P_s = \text{Set pressure}$$

$$\% \text{ OV} = [(P_f - P_s) / P_s] \times 100$$

Calculate flow capacity at less than 100% over-vacuum according to the following example.

Example Flow Capacity Calculation

6" Model 8800A

4 InWC set pressure [P_s]

7 InWC flowing pressure [P_f]

1. Read flow capacity at set vacuum from table
2. Calculate over-vacuum
3. Read "C" factor from table
4. Calculate flow capacity

Flow = 46,700 SCFH

$\% \text{ OV} = [(7 - 4) / 4] \times 100 = 75\%$

"C" = 0.87

Flow = 0.87 x 46,700 = 40,629 SCFH

"C" Factor Table

%OP	0	1	2	3	4	5	6	7	8	9
10	... Consult Factory ...									
20										
30										
40										
50	0.72	0.73	0.73	0.74	0.75	0.75	0.76	0.77	0.77	0.78
60	0.78	0.79	0.80	0.80	0.81	0.81	0.82	0.82	0.83	0.84
70	0.84	0.85	0.85	0.86	0.86	0.87	0.88	0.88	0.89	0.89
80	0.90	0.90	0.91	0.91	0.92	0.92	0.93	0.93	0.94	0.94
90	0.95	0.95	0.96	0.96	0.97	0.97	0.98	0.99	0.99	1.00

Example to find "C" factor from table:

Read "C" factor for 75% Over-vacuum at intersection of row 70 and column 5

"C" factor at 75% OV = 0.87

VACUUM RELIEF CAPACITY

Air Flow Capacity at 100% Over-vacuum (Double Set Vacuum)
1000 Normal Cubic Meters per Hour at 0° C

Set Vacuum (P _s) mmWC	Size In (mm)						
	2 (50)	3 (80)	4 (100)	6 (150)	8 (200)	10 (250)	12 (300)
22.0	0.07	0.15	0.26	0.52	0.84	1.29	1.60
50.0	0.12	0.25	0.42	0.87	1.39	2.13	2.78
75.0	0.14	0.32	0.53	1.11	1.77	2.72	3.59
100	0.17	0.38	0.63	1.32	2.09	3.21	4.27
150	0.21	0.48	0.79	1.66	2.64	4.05	5.42
200	0.25	0.56	0.93	1.95	3.11	4.76	6.40
250	0.28	0.63	1.05	2.21	3.53	5.40	7.27
300	0.31	0.70	1.17	2.45	3.90	5.97	8.06
375	0.35	0.80	1.32	2.78	4.42	6.77	9.10
500	0.41	0.93	1.55	3.26	5.19	7.94	10.7
625	0.47	1.06	1.76	3.69	5.87	8.98	12.2
750	0.52	1.17	1.94	4.08	6.50	9.90	13.5

Flow Capacity Calculation

Flow capacity values listed above are based on full open valves at 100% over-vacuum. Read the flow capacity at 100% over-vacuum directly from the table above. Use linear interpolation if the set vacuum is not listed. If the allowable over-vacuum is less than 100%, modify the flow capacity using the appropriate "C" factor from the table. If allowable over-vacuum is more than 100%, consult your Groth Representative.

Calculate the percentage over-vacuum by the following formula. Note that all pressures are gauge pressure expressed in the same units of measure.

$$P_f = \text{Flowing pressure}$$

$$P_s = \text{Set pressure}$$

$$\% \text{ OV} = [(P_f - P_s) / P_s] \times 100$$

Calculate flow capacity at less than 100% over-vacuum according to the following example.

Example Flow Capacity Calculation

6" Model 8800A

150 mmWC Set Vacuum [P_s]

250 mmWC Flowing Vacuum [P_f]

1. Read flow capacity at set vacuum from table
2. Calculate over-vacuum
3. Read "C" factor from table
4. Calculate flow capacity

Flow = 1,660 NCMH

% OV = [(250 - 150) / 150] x 100 = 67%

"C" = 0.82

Flow = 0.82 x 1,660 = 1,361 NCMH

"C" Factor Table										
%OP	0	1	2	3	4	5	6	7	8	9
10	... Consult Factory...									
20										
30										
40										
50	0.72	0.73	0.73	0.74	0.75	0.75	0.76	0.77	0.77	0.78
60	0.78	0.79	0.80	0.80	0.81	0.81	0.82	0.82	0.83	0.84
70	0.84	0.85	0.85	0.86	0.86	0.87	0.88	0.88	0.89	0.89
80	0.90	0.90	0.91	0.91	0.92	0.92	0.93	0.93	0.94	0.94
90	0.95	0.95	0.96	0.96	0.97	0.97	0.98	0.99	0.99	1.00

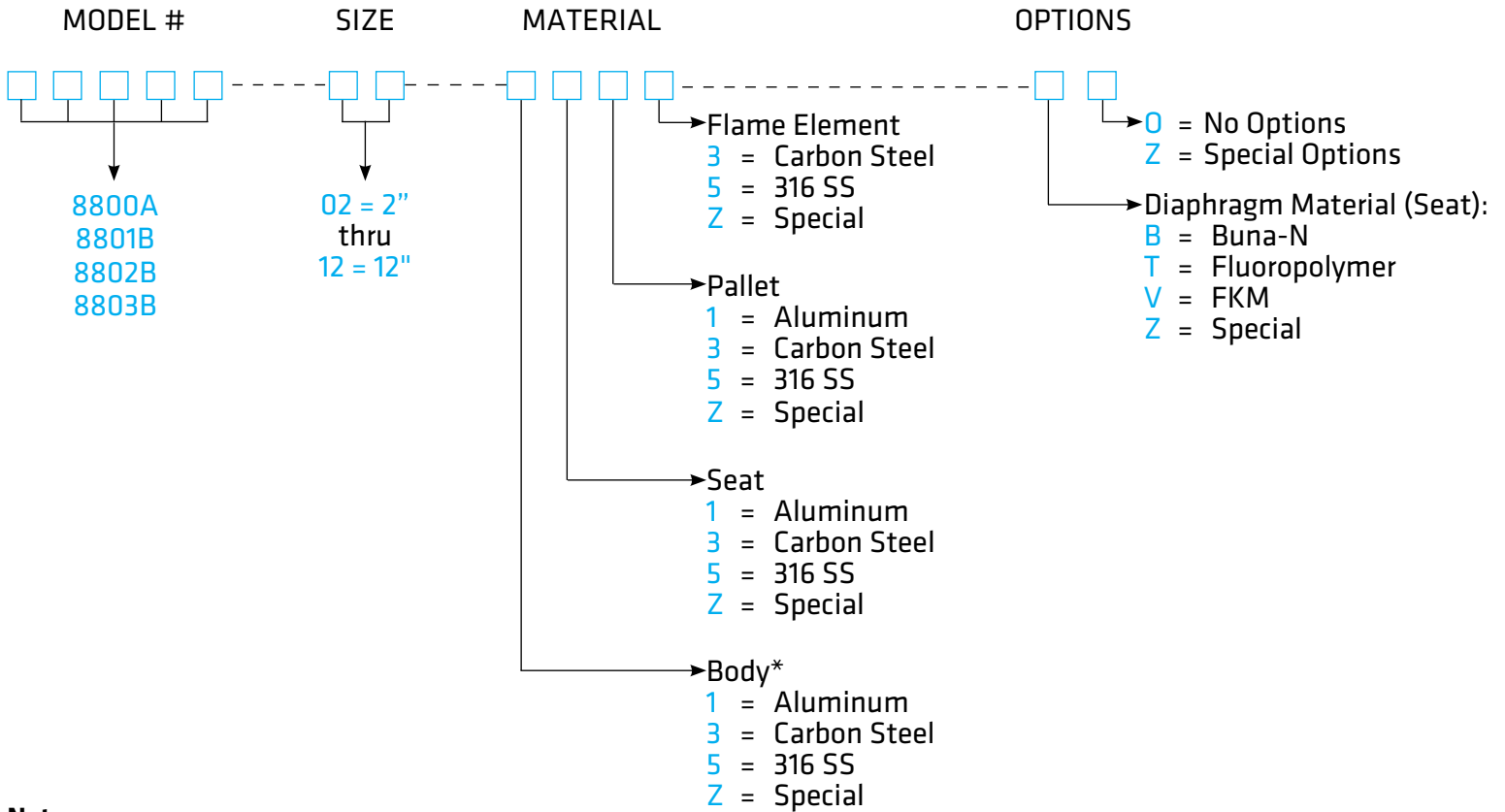
Example to find "C" factor from table:

Read "C" factor for 67% over-vacuum at intersection of row 60 and column 7

"C" factor at 67% OV = 0.82

HOW TO ORDER

For easy ordering, select proper model numbers



Notes

- Include model number and setting when ordering.
- For special options, consult factory.
- When ordering steam jacket, include steam pressure/temperature.
- * Stainless steel guides, stems are standard with aluminum and carbon steel bodies. Stainless steel seats standard with carbon steel bodies.

Example

8
8
0
0
A
-
0
2
-
1
1
5
1
-
T
0

Indicates a 2" Model 8800A with Aluminum Body and Seat, 316 SS Pallet, Fluoropolymer Seat Diaphragm, and no other options.



GROTHCORP.COM