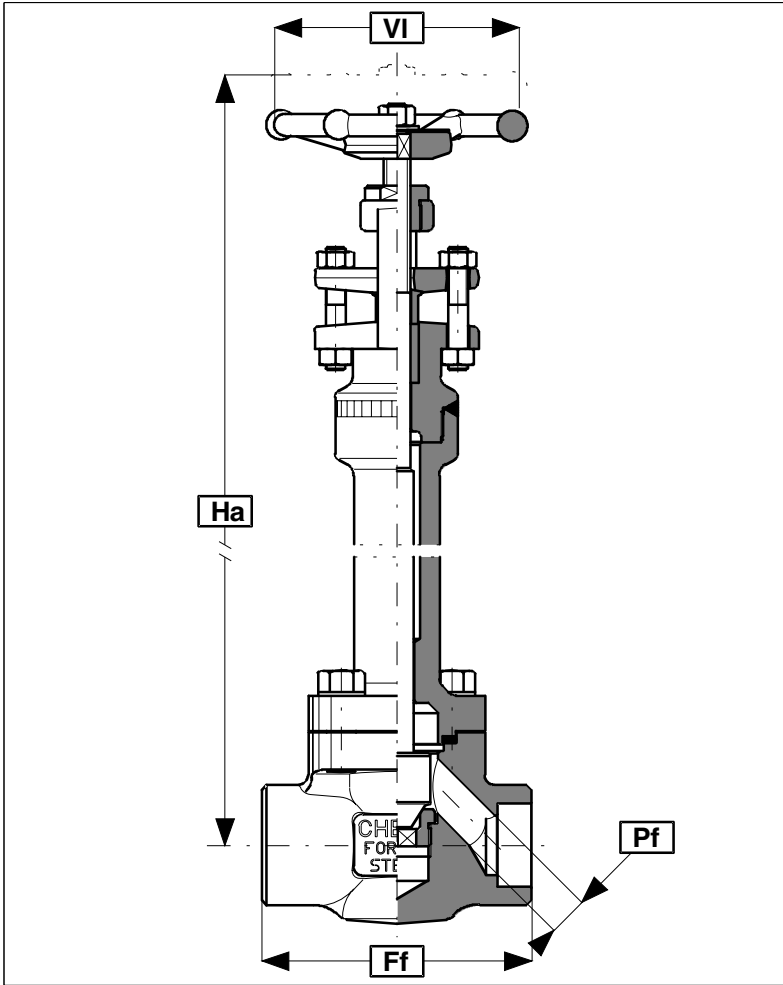


# FORGED STEEL VALVES

DOUGLAS CHERO SpA  
**dc** FORGED VALVES





### Ratings (ASTM A105)

800 p.s.i. @ 850 F  
1975 p.s.i. @ 100 F

### Test pressure (ASTM A105)

**Hydraulic: (minimum)**  
Body - 3000 p.s.i.  
Seat - 2175 p.s.i.  
**Air under water:**  
Seat - 85 p.s.i.

### Standards

**Construction** founded on BS 5352  
**Socket weld** ASME B16.11  
**Threaded** ASME B1.20.1  
**Test** founded on BS 6755 (Pt.1)

### Connections (xx)

<b>SW</b> Socket weld	<b>B8</b> Butt weld 80
<b>TH</b> Threaded NPT	
<b>TS</b> Sw/NPT	
<b>SE</b> Sw (in)/NPT	
<b>SU</b> Sw (out)/NPT	
<b>B4</b> Butt weld 40	

REDUCED BORE								
			1/2"	3/4"	1"	1.1/4"	1.1/2"	2"
<b>Ff (mm/in)</b>			80 3,15	90 3,54	110 4,33	127 5,00	155 6,10	170 6,69
<b>Ha (mm/in)</b>			333 13,11	365 14,37	401 15,79	462 18,19	507 19,96	531 20,91
<b>VI (mm/in)</b>			90 3,54	90 3,54	100 3,94	120 4,72	140 5,51	140 5,51
<b>Pf (mm/in)</b>			9 0,35	12,5 0,49	17,5 0,69	22,5 0,89	28 <sup>(4)</sup> 1,10	32 <sup>(5)</sup> 1,26
<b>Wt. (kg/lb)</b>			2,6 5,7	3,1 6,8	5,2 11,4	8,6 18,9	12,4 27,3	15,7 34,5
<b>Catal. no.</b>			CR352/xx	CR353/xx	CR354/xx	CR355/xx	CR356/xx	CR357/xx

FULL BORE								
	1/4"	3/8"	1/2"	3/4"	1"	1.1/4"	1.1/2"	2"
<b>Ff (mm/in)</b>	80 3,15	80 3,15	90 3,54	110 4,33	127 5,00	155 6,10	170 6,69	210 8,27
<b>Ha (mm/in)</b>	333 12,99	333 13,11	365 14,37	401 15,79	462 18,19	507 19,96	531 20,91	637 25,08
<b>VI (mm/in)</b>	90 13,11	90 3,54	90 3,54	100 3,94	120 4,72	140 5,51	140 5,51	200 7,87
<b>Pf (mm/in)</b>	6,5 0,26	9 0,35	12,5 0,49	17,5 0,69	22,5 0,89	28 <sup>(4)</sup> 1,10	32 <sup>(5)</sup> 1,26	40 <sup>(6)</sup> 1,57
<b>Wt. (kg/lb)</b>	2,6 5,7	2,6 5,7	3,1 6,8	5,2 11,4	8,6 18,9	12,4 27,3	15,7 34,5	23,4 51,5
<b>Catal. no.</b>	CF310/xx	CF311/xx	CF312/xx	CF313/xx	CF314/xx	CF315/xx	CF316/xx	CF317/xx

1) Standard and alternative valve materials on page 67, type C  
2) Complete Pressure-Temperature ratings on page 68, 69, 70, 71, 72  
3) SW & NPT dimensions on page 73  
4) Pf = 29,5 with integral stellited seat

5) Pf = 35 with integral stellited seat  
6) Pf = 45 with integral stellited seat  
7) On request flanged ends can be supplied; body dimensions on page 10,11,12  
8) For Ha Length in according to customer desire extension should be welded