

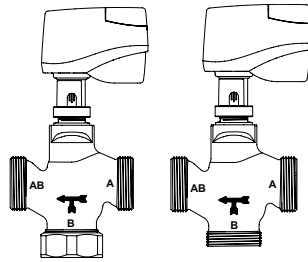
Control valve in 3-way-/straightway form in compact-design for HVAC Applications - Fig. 491 / Fig. 492

Control valve in 3-way-/straightway form for HVAC Applications - Fig. 485/487 / Fig. 486/488

ARI-STEVI® H 491 / 492

Electric actuator

- Enclosure IP 40
- Supply voltage 24 V AC/DC
input signal 0-10 V
feedback 0-10 V
- Supply voltage 24/230 V AC
3-step control
- Handwheel



Page 2



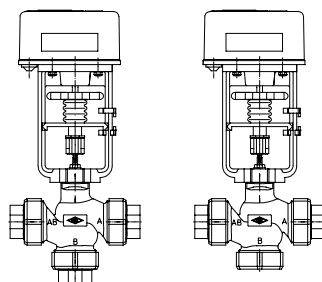
Fig. 487

ARI-STEVI® H 487 / 488

Electric actuator

ARI-PACO 0,85kN

- Supply voltage 24V/50Hz
input signal 0-10 V
feedback 0-10 V
- Supply voltage 24/230V AC
3-step control
- Handwheel
- Travel indicator
- Additional devices available,
e.g. potentiometer



Page 4

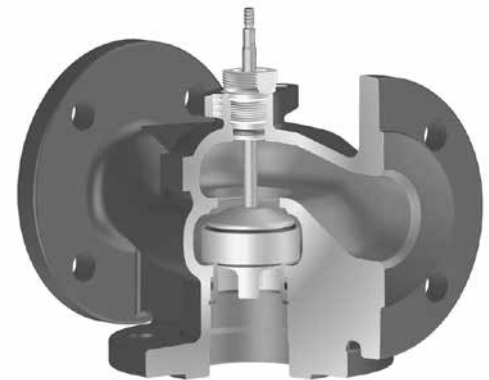


Fig. 485

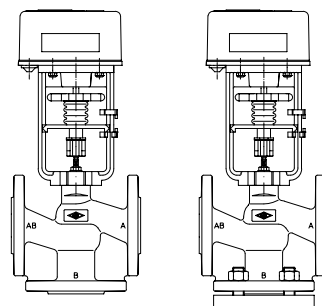
ARI-STEVI® H 485 / 486

Electric actuator

ARI-PACO 0,85kN

ARI-PACO 2G 1,6kN

- Supply voltage 24V/50Hz
input signal 0-10 V
feedback 0-10 V
- Supply voltage 24/230 V AC
3-step control
- Handwheel
- Travel indicator
- Additional devices available,
e.g. potentiometer



Page 6

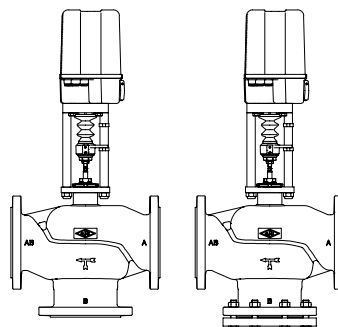
ARI-STEVI® H 485 / 486

Electric actuator

ARI-PREMIO 2,2-15kN

ARI-PREMIO-Plus 2G 2,2-15kN

- Enclosure IP 65
- Supply voltage 24V AC/DC
- Supply voltage 90-264V AC
- optional input signal:
-3-point from 12 to 250VAC/DC
-0-10V
-4-20mA
- 2 torque switches
- Handwheel
- Additional devices available,
e.g. potentiometer, feedback 0-10V/4-20mA



Page 8

Control valve for heating, ventilation and air-conditioning - 3-way with threaded joint - Fig. 487

Control valve for heating, ventilation and air-conditioning - straight through with threaded joint - Fig. 488

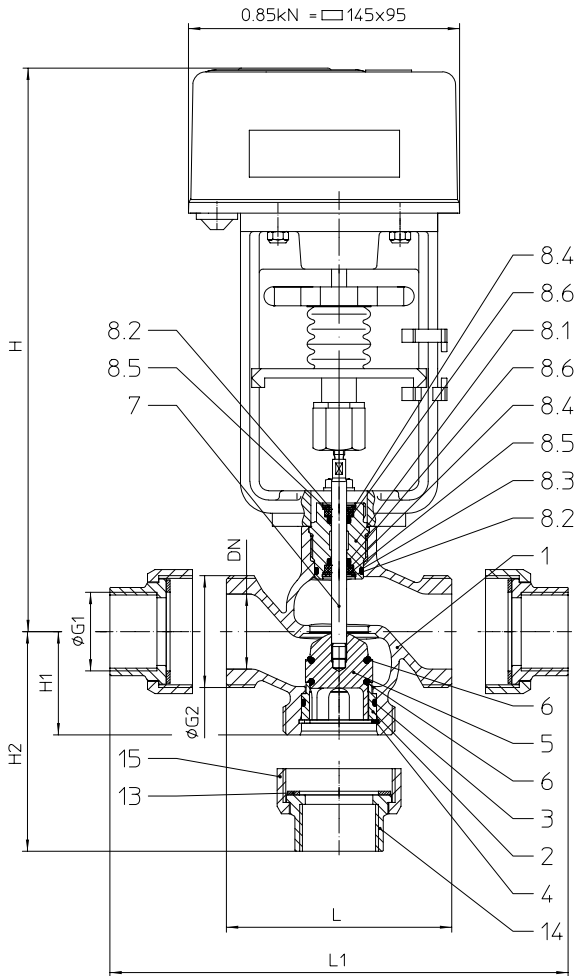
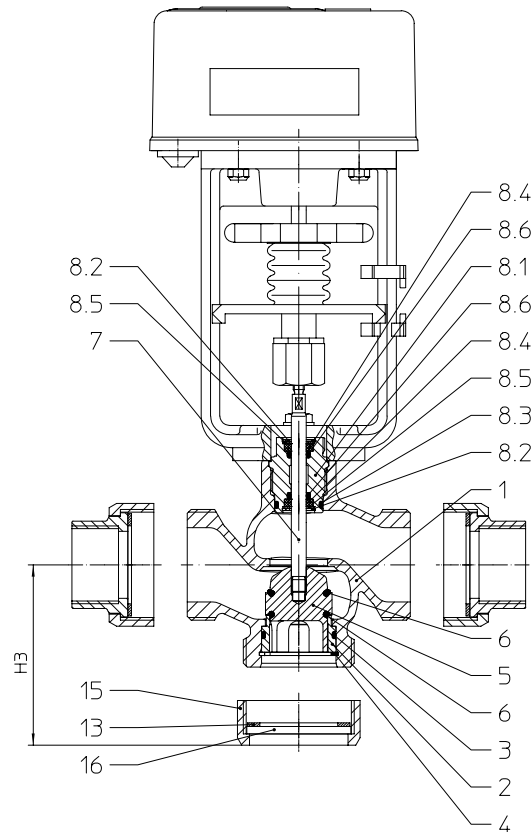
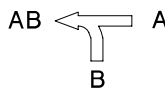
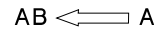

Fig. 487 Mixing function

Fig. 488 Straight through function


Figure	Nominal pressure	Material	Nominal diameter	Stem sealing	Temperature range
72.487	PN16	CC499K	DN15-50	EPDM-O-ring	0°C to +130°C; with stem heating to -10°C
72.488	PN16	CC499K	DN15-50	EPDM-O-ring	0°C to +130°C; with stem heating to -10°C
Other materials and versions on request.					
Plug design			Guiding	Rangeability	
standard:	<ul style="list-style-type: none"> A Parabolic plug with EPDM-O-ring B V-port plug with EPDM-O-ring 		Stem and seat guiding	30 : 1	
Flow characteristic					
standard:	<ul style="list-style-type: none"> A equal percentage B linear 				
Shut off class (seat / plug leakage classes)					
Metal / Soft seal:	• DIN EN 12266-1 Leakage rate A (DIN 3230 T3 Leakage rate 1)				
Technical data for actuator refer to data sheet.					

DN		15	20	25	32	40	50		
Kvs-value									
Kvs-value	Parabolic plug / V-port plug	Standard	(m³/h)	4	6,3	10	16	25	40
		Reduced	(m³/h)	2,5 / 1,6 / 1,0 / 0,63	4	6,3	10	16	25
Seat-Ø		(mm)	18	21	27	31	41	51	
Travel		(mm)	14						
Face-to-face dimension FTF series 1 according to DIN EN 558									
L		(mm)	80	90	110	120	130	150	
Connections									
Ø G1	PN16	(inch)	G 1/2	G 3/4	G 1	G 1 1/4	G 1 1/2	G 2	
Ø G2	PN16	(inch)	G 1 1/8	G 1 1/4	G 1 1/2	G 2	G 2 1/4	G 2 3/4	
Dimensions									
L1	(mm)	128	138	166	186	199	223		
H	(mm)	283	283	289	293	302	302		
H1	(mm)	55	55	55	55	60	65		
H2	(mm)	79	79	83	88	95	102		
H3	(mm)	65	65	66	67	72	77		
Weights									
BR487	PN16	(kg)	2,9	3,1	3,7	4,6	5,2	6,8	
BR488	PN16	(kg)	2,9	3,1	3,7	4,6	5,2	6,8	
Closing pressures		max. permissible closing pressures on flow-to-open P2 = 0. Observe pressure-temperature-limits, see below.							
Max. allowable differential pressure at flow		(bar)	2	2	1,5	1,5	1,5	1,5	
ARI-PACO 0,85 kN	Closing pressure		(bar)	16	16	11,3	8,3	4,4	2,6
	Operating time		(s)	127					
	Operating speed		(mm/s)	0,11					
Pressure-temperature-ratings		Intermediate values for max. permissible operational pressures can be determined by linear interpolation of the given temperature / pressure chart.							
acc. to DIN EN 1092-3			-10°C to 20°C		100°C		130°C		
CC499K	PN16	(bar)	16		16		16		

Parts			Fig. 72.487	Fig. 72.488
Pos.	Sp.p.	Description		
1		Body	CuSn5Zn5Pb5-C, CC499K	
2		Seat ring	X20Cr13+QT, 1.4021+QT	
3		O-ring	EPDM	
4		Retaining ring	FSt	
5		Plug	CuZn39Pb3, CW614N	
6		O-ring	EPDM	
7		Stem	X6CrNiMoTi17-12-2, 1.4571	
8.1	x (cpl. unit)	Screw joint	CuZn39Pb3, CW614N	
8.2		Retaining ring	CuSn6, CW452K	
8.3		O-ring	EPDM	
8.4		Bush	PTFE	
8.5		Washer	CuZn37, CW508L	
8.6		O-ring	EPDM	
13		Gasket	Centellen	
14		Sleeve	TMP / chrom.	--
15		Sleeve nut	TMP / chrom.	
16		Blind plate	--	S235JR, 1.0037
	L Spare parts			

Information / restriction of technical rules need to be observed!

A production permission acc. to TRB 801 No. 45 is available.

The engineer, designing a system or a plant, is responsible for the selection of the correct valve.

Resistance and fitness must be verified (contact manufacturer for information, refer to Product overview and Resistance list).

myValve®GBT - Your Valve Sizing-Program.

"myValve® HVAC", the ARI valve sizing program, provides direct access to all information which is relevant for planning and engineering your individual application. In addition to the industrial version, you can now also benefit from a new version that was created especially for HVAC applications and is optimised for heating, cold water, air conditioning, ventilation and cooling. With myValve® HVAC you not only calculate your ARI system components. You also have access to all other data about the selected product, such as order information, tender specifications, spare parts drawings, operating instructions, data sheets, 3D CAD data, etc., whenever you need it.



- Product guidance:** - Preselection of different HVAC systems to guide you to the ideal products
- Product sizing:** - CONTROL (including selection of the electric actuators), ISOLATION-valves, ISOLATION-butterfly valves (including actuators), FLOW REGULATION and SAFETY
- Media:** **Integrated media database for the media used in HVAC applications:**
- Glycols
 - Water mixtures
- Special features:**
- Project administration of the calculation and product data incl. spare part drawings concerning to project and tag number.
 - Direct output or calculation and product data in PDF format.
 - Product data could be taken for a direct order.
 - Settings with over pressure or absolute pressure.
 - All ARI valves for HVAC applications are integrated in a data bank.
 - Direct access concerning to the product on data sheets, operating instructions, pressure-temperature-diagram, spare part drawings, CAD symbols and tender specifications.
 - CAD-Dateien im BIM-REVIT-Format geplant
 - Tender specifications also possible in GAEB format.
 - Operation in company networks possible (no complex installations on individually PC's necessary).
 - Extensive catalogue extending over several product groups.
- System Requirements:** Windows operating systems, Linux, etc.

Have we sparked your interest? Please contact us at info.vertrieb@ari-armaturen.com or register for a free download link at www.ari-armaturen.com/myvalve-gbt