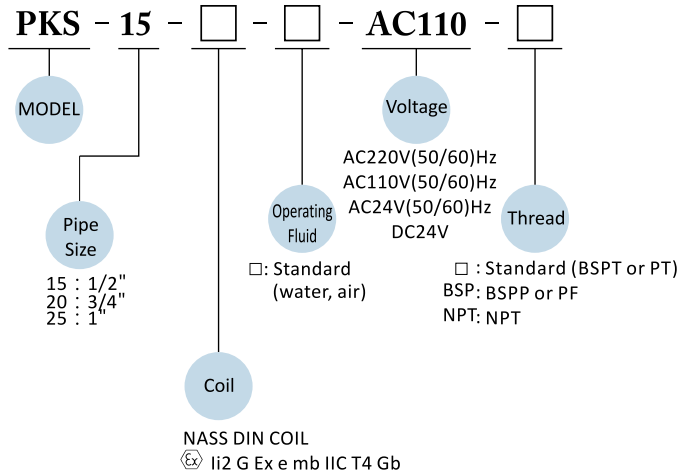
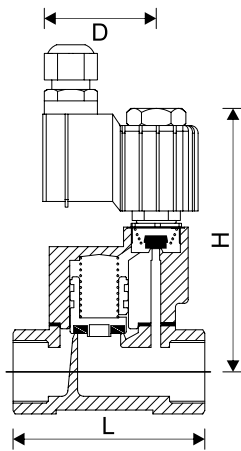


PKS Series

PKS-15 ~ 25



Application:

|                              |                              |
|------------------------------|------------------------------|
| <b>Working Fluid</b>         | Water, Air                   |
| <b>Working Temp</b>          | -5°C ~ 70°C                  |
| <b>Min. Pressure to Open</b> | 0.5 Kgf / cm <sup>2</sup>    |
| <b>Connection</b>            | BSPT (BS21), NPT (ANSI B2.1) |
| <b>• Optional coil</b>       | None                         |

Feature

- PKS SERIES is multiplex-drive, pilot operated piston, conductive and normal close. (NC)
- 2/2 way solenoid valve. Explosion proof protection.
- Water proof: IP67
- Suitable for high frequent operation.
- Standard voltage: 110VAC / 220VAC / 24VDC. (50/60HZ)
- Special voltage AC/DC for customer made.
- AC voltage Tolerance: +/- 10%
- DC voltage Tolerance: +/- 1%

Material:

|                      |  |
|----------------------|--|
| <b>Model:</b>        | PKS  |
| <b>Valve Body</b>    | Forged Brass   |
| <b>Coil</b>          | NASS Ex-Proof DIN Coil<br>EX 112 G Ex e mb IIC T4 Gb |
| <b>Tube</b>          | ST.ST.   |
| <b>Spring</b>        | ST.ST.   |
| <b>Core Needle</b>   | ST.ST.   |
| <b>Plug</b>          | Viton  |
| <b>Piston Spring</b> | ST.ST.   |
| <b>Piston</b>        | ST.ST.   |
| <b>Piston Plug</b>   | PTFE   |

Not Apply For Fluid of

- Liquid status when heat, solid status when cool.
- Viscosity over 20 cst.
- Corrosive fluid.
- Crystalline fluid: ex. sea water.

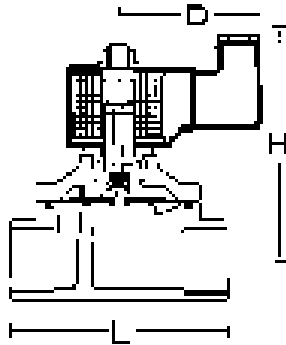
Cautions

- Pipe must be washed neat and clean before installation.
- A Y-Strainer has to be installed in the front of solenoid valve, which elongate usage.
- Before installation, be sure the type of fluid, voltage, pressure and fluid temperature used.
- Prohibition vertical operation.
- Ambient Temperature should be under 70°C
- Operating Temperature should be under 60°C

Specification

| Model  | Waterproof Din / flying Lead Coil | NASS Din Coil (IP65) | Pipe Size | Cv  | Orifice | Fluid Temp °C | Operating Pres. Kgf / cm <sup>2</sup> |          |       |           |     | Dimension (mm) |     |    | Wt. (Kgs) |
|--------|-----------------------------------|----------------------|-----------|-----|---------|---------------|---------------------------------------|----------|-------|-----------|-----|----------------|-----|----|-----------|
|        |                                   |                      |           |     |         |               | Water                                 | Air      | Steam | Light Oil | Gas | L              | H   | D  |           |
| PKS-15 |                                   |                      | 1/2"      | 4.0 | 17 mm   | -5°C~70°C     | 0.5 - 10                              | 0.5 - 10 |       |           |     | 82             | 155 | 62 | 1.55      |
| PKS-20 |                                   |                      | 3/4"      | 6.0 | 17 mm   | -5°C~70°C     | 0.5 - 10                              | 0.5 - 10 |       |           |     | 82             | 157 | 62 | 1.61      |
| PKS-25 |                                   |                      | 1"        | 12  | 22 mm   | -5°C~70°C     | 0.5 - 10                              | 0.5 - 10 |       |           |     | 100            | 172 | 62 | 2.36      |

## PKW OF EXPLOSION PROOF Series (EEx mII T4)



1. **PKW series** is direct multiplex-drive, pilot operated diaphragm, conductive, and normally closed.  
(3/8"~1": direct multiplex-drive) (1.1/4"~2": multiplex-drive)
2. Valve body made of Brass.
3. **PKW** can be operated directly without pressure. (3/8"~1")
4. Standard Voltage: 110VAC / 220VAC / 24VDC. (50/60HZ)
5. Screwed end to BSPT. Option screwed: NPT, BSP Thread.
6. Normal working temperature: 80°C (NBR).  
Others: Viton (130°C), Silicone (130°C) when requested.
7. AC Voltage tolerance: ± 10%  
DC Voltage tolerance: ± 1%
8. **Not apply for fluid of**
  - Liquid status when heat, solid status when cool.
  - Viscosity over 20 cst.
  - Corrosive fluid.

### Material

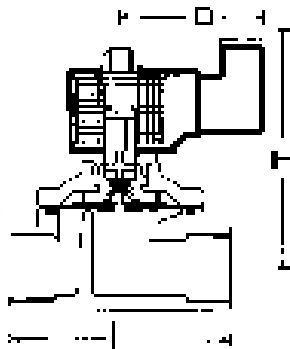
|           |                      |
|-----------|----------------------|
| Model     | PKW                  |
| Body      | Brass                |
| Coil      | EEx mII T4           |
| Core      | ST. ST.              |
| Tube      | ST. ST.              |
| Spring    | ST. ST.              |
| Plug      | NBR, Viton, Silicone |
| Diaphragm | NBR, Viton, Silicone |

### Dimension

| Model  | Pipe Size | Cv  | Orifice | Fluid     |       |       |           |     | Dimension (mm) |     |     | Wt. |      |
|--------|-----------|-----|---------|-----------|-------|-------|-----------|-----|----------------|-----|-----|-----|------|
|        |           |     |         | Temp °C   | Air   | Water | Light Oil | Gas | Vacuum         | L   | H   | D   | (kg) |
| PKW-10 | 3/8"      | 2.4 | 15 mm   | -5°C~80°C | 0-7   | 0-5   | 0-5       | 0-5 | 0-760 Torr     | 70  | 100 | 54  | 1.05 |
| PKW-15 | 1/2"      | 4.5 | 15 mm   | -5°C~80°C | 0-7   | 0-5   | 0-5       | 0-5 | 0-760 Torr     | 70  | 100 | 54  | 1.04 |
| PKW-20 | 3/4"      | 8.6 | 20 mm   | -5°C~80°C | 0-7   | 0-5   | 0-5       | 0-5 | 0-760 Torr     | 73  | 108 | 54  | 1.16 |
| PKW-25 | 1"        | 12  | 25 mm   | -5°C~80°C | 0-7   | 0-5   | 0-5       | 0-5 | 0-760 Torr     | 100 | 113 | 54  | 1.76 |
| PKW-35 | 1.1/4"    | 24  | 35 mm   | -5°C~80°C | 0.5-8 | 0.5-8 | 0.5-8     |     |                | 130 | 145 | 54  | 3.39 |
| PKW-40 | 1.1/2"    | 28  | 40 mm   | -5°C~80°C | 0.5-8 | 0.5-8 | 0.5-8     |     |                | 130 | 150 | 54  | 3.49 |
| PKW-50 | 2"        | 48  | 50 mm   | -5°C~80°C | 0.5-8 | 0.5-8 | 0.5-8     |     |                | 165 | 158 | 54  | 5.08 |

# SOLENOID VALVE

## SKW OF EXPLOSION PROOF Series (EEx mII T4)



1. **SKW series** is direct multiplex-drive, connected diaphragm, conductive, and normally closed.
2. Valve body made of Investment Casting S/S 316.
3. SKW can be operated directly without pressure.
4. Standard Voltage: 110VAC / 220VAC / 24VDC. (50/60HZ)
5. Screwed end to BSPT. Option screwed: NPT, BSP Thread.
6. Normal working temperature: 80°C (NBR).  
Others: Viton (130°C), Silicone (130°C) when requested.
7. AC Voltage tolerance: ± 10%  
DC Voltage tolerance: ± 1%
8. **Not apply for fluid of**
  - Liquid status when heat, solid status when cool.
  - Viscosity over 20 cst.
  - Corrosive fluid.

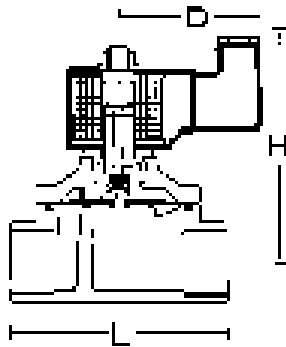
### Material

|           |                      |
|-----------|----------------------|
| Model     | SKW                  |
| Body      | CF8M                 |
| Coil      | EEx mII T4           |
| Core      | ST. ST.              |
| Tube      | ST. ST.              |
| Spring    | ST. ST.              |
| Plug      | NBR, Viton, Silicone |
| Diaphragm | NBR, Viton, Silicone |

### Dimension

| Model  | Pipe Size | Cv  | Orifice | Fluid     |     |       |           |     | Dimension (mm) |     |     | Wt. |      |
|--------|-----------|-----|---------|-----------|-----|-------|-----------|-----|----------------|-----|-----|-----|------|
|        |           |     |         | Temp °C   | Air | Water | Light Oil | Gas | Vacuum         | L   | H   | D   | (kg) |
| SKW-15 | 1/2"      | 4.5 | 15 mm   | -5°C~80°C | 0-7 | 0-5   | 0-5       | 0-5 | 0-760 Torr     | 70  | 100 | 54  | 1.04 |
| SKW-20 | 3/4"      | 8.6 | 20 mm   | -5°C~80°C | 0-7 | 0-5   | 0-5       | 0-5 | 0-760 Torr     | 76  | 107 | 54  | 1.12 |
| SKW-25 | 1"        | 12  | 25 mm   | -5°C~80°C | 0-7 | 0-5   | 0-5       | 0-5 | 0-760 Torr     | 100 | 114 | 54  | 1.66 |

## PKW OF EXPLOSION PROOF Series (EEx mII T4)



1. **PKW series** is direct multiplex-drive, pilot operated diaphragm, conductive, and normally closed.  
(3/8"~1": direct multiplex-drive) (1.1/4"~2": multiplex-drive)
2. Valve body made of Brass.
3. **PKW** can be operated directly without pressure. (3/8"~1")
4. Standard Voltage: 110VAC / 220VAC / 24VDC. (50/60HZ)
5. Screwed end to BSPT. Option screwed: NPT, BSP Thread.
6. Normal working temperature: 80°C (NBR).  
Others: Viton (130°C), Silicone (130°C) when requested.
7. AC Voltage tolerance: ± 10%  
DC Voltage tolerance: ± 1%
8. **Not apply for fluid of**
  - Liquid status when heat, solid status when cool.
  - Viscosity over 20 cst.
  - Corrosive fluid.

### Material

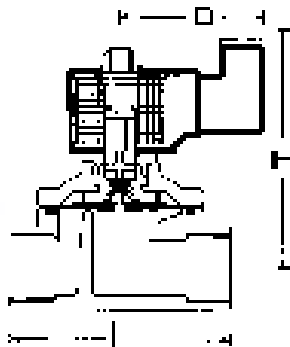
| Model     | PKW                  |
|-----------|----------------------|
| Body      | Brass                |
| Coil      | EEx mII T4           |
| Core      | ST. ST.              |
| Tube      | ST. ST.              |
| Spring    | ST. ST.              |
| Plug      | NBR, Viton, Silicone |
| Diaphragm | NBR, Viton, Silicone |

### Dimension

| Model  | Pipe Size | Cv  | Orifice | Fluid     |       |       |           |     | Dimension (mm) |            |     | Wt. |      |      |
|--------|-----------|-----|---------|-----------|-------|-------|-----------|-----|----------------|------------|-----|-----|------|------|
|        |           |     |         | Temp °C   | Air   | Water | Light Oil | Gas | Vacuum         | L          | H   | D   | (kg) |      |
| PKW-10 | 3/8"      | 2.4 | 15 mm   | -5°C~80°C | 0-7   | 0-5   | 0-5       | 0-5 | 0-5            | 0-760 Torr | 70  | 100 | 54   | 1.05 |
| PKW-15 | 1/2"      | 4.5 | 15 mm   | -5°C~80°C | 0-7   | 0-5   | 0-5       | 0-5 | 0-5            | 0-760 Torr | 70  | 100 | 54   | 1.04 |
| PKW-20 | 3/4"      | 8.6 | 20 mm   | -5°C~80°C | 0-7   | 0-5   | 0-5       | 0-5 | 0-5            | 0-760 Torr | 73  | 108 | 54   | 1.16 |
| PKW-25 | 1"        | 12  | 25 mm   | -5°C~80°C | 0-7   | 0-5   | 0-5       | 0-5 | 0-5            | 0-760 Torr | 100 | 113 | 54   | 1.76 |
| PKW-35 | 1.1/4"    | 24  | 35 mm   | -5°C~80°C | 0.5-8 | 0.5-8 | 0.5-8     |     |                |            | 130 | 145 | 54   | 3.39 |
| PKW-40 | 1.1/2"    | 28  | 40 mm   | -5°C~80°C | 0.5-8 | 0.5-8 | 0.5-8     |     |                |            | 130 | 150 | 54   | 3.49 |
| PKW-50 | 2"        | 48  | 50 mm   | -5°C~80°C | 0.5-8 | 0.5-8 | 0.5-8     |     |                |            | 165 | 158 | 54   | 5.08 |

# SOLENOID VALVE

## SKW OF EXPLOSION PROOF Series (EEx mII T4)



1. **SKW series** is direct multiplex-drive, connected diaphragm, conductive, and normally closed.
2. Valve body made of Investment Casting S/S 316.
3. SKW can be operated directly without pressure.
4. Standard Voltage: 110VAC / 220VAC / 24VDC. (50/60HZ)
5. Screwed end to BSPT. Option screwed: NPT, BSP Thread.
6. Normal working temperature: 80°C (NBR).  
Others: Viton (130°C), Silicone (130°C) when requested.
7. AC Voltage tolerance: ± 10%  
DC Voltage tolerance: ± 1%
8. **Not apply for fluid of**
  - Liquid status when heat, solid status when cool.
  - Viscosity over 20 cst.
  - Corrosive fluid.

### Material

| Model     | SKW                  |
|-----------|----------------------|
| Body      | CF8M                 |
| Coil      | EEx mII T4           |
| Core      | ST. ST.              |
| Tube      | ST. ST.              |
| Spring    | ST. ST.              |
| Plug      | NBR, Viton, Silicone |
| Diaphragm | NBR, Viton, Silicone |

### Dimension

| Model  | Pipe Size | Cv  | Orifice | Fluid     |     |       |           |     | Dimension (mm) |            |     | Wt. |      |      |
|--------|-----------|-----|---------|-----------|-----|-------|-----------|-----|----------------|------------|-----|-----|------|------|
|        |           |     |         | Temp °C   | Air | Water | Light Oil | Gas | Vacuum         | L          | H   | D   | (kg) |      |
| SKW-15 | 1/2"      | 4.5 | 15 mm   | -5°C~80°C | 0-7 | 0-5   | 0-5       | 0-5 | 0-5            | 0-760 Torr | 70  | 100 | 54   | 1.04 |
| SKW-20 | 3/4"      | 8.6 | 20 mm   | -5°C~80°C | 0-7 | 0-5   | 0-5       | 0-5 | 0-5            | 0-760 Torr | 76  | 107 | 54   | 1.12 |
| SKW-25 | 1"        | 12  | 25 mm   | -5°C~80°C | 0-7 | 0-5   | 0-5       | 0-5 | 0-5            | 0-760 Torr | 100 | 114 | 54   | 1.66 |