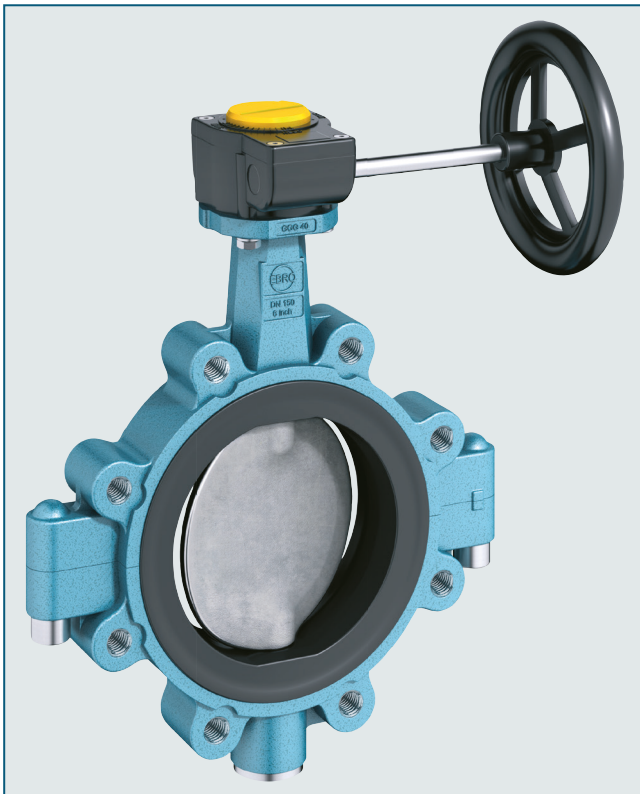


LUG TYPE BUTTERFLY VALVE Z 614-A



Resilient seated lug type butterfly valve for semi-corrosive media.

TECHNICAL DATA

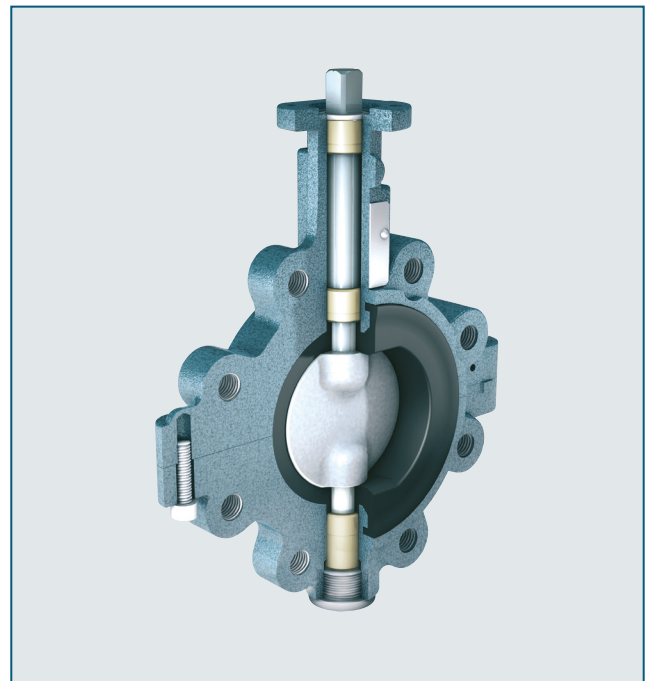
| | |
|------------------------|---|
| Nominal diameter: | DN 50 - DN 300 |
| Face-to-face: | EN 558 Series 20 ISO 5752 Series 20 API 609 Table 1 |
| Flange accommodation: | EN 1092 PN 10/16 ASME Class 150 |
| Flange Surface Design: | EN 1092 Form A/B ASME RF, FF |
| Top flange: | EN ISO 5211 |
| Marking: | EN 19 |
| Tightness check: | EN 12266 (Leakage rate A) ISO 5208, Category 3 |
| Temperature range: | -10°C to +200°C (depending on pressure, medium and material) |
| Operating pressure: | max. 10 bar |

FEATURES

- One piece disc/shaft
- Split body with stainless steel screws
- Insulation height as per plant regulations
- Optional: Special design RWTÜV certified to TA-Air/ VDI 2440
- Triple shaft bearing
- Disc's sealing surface mirror polished
- Materials complying with FDA standards available
- Can be disassembled, material-specific recycling possible
- For paint and laquers, a silicone-free version is available

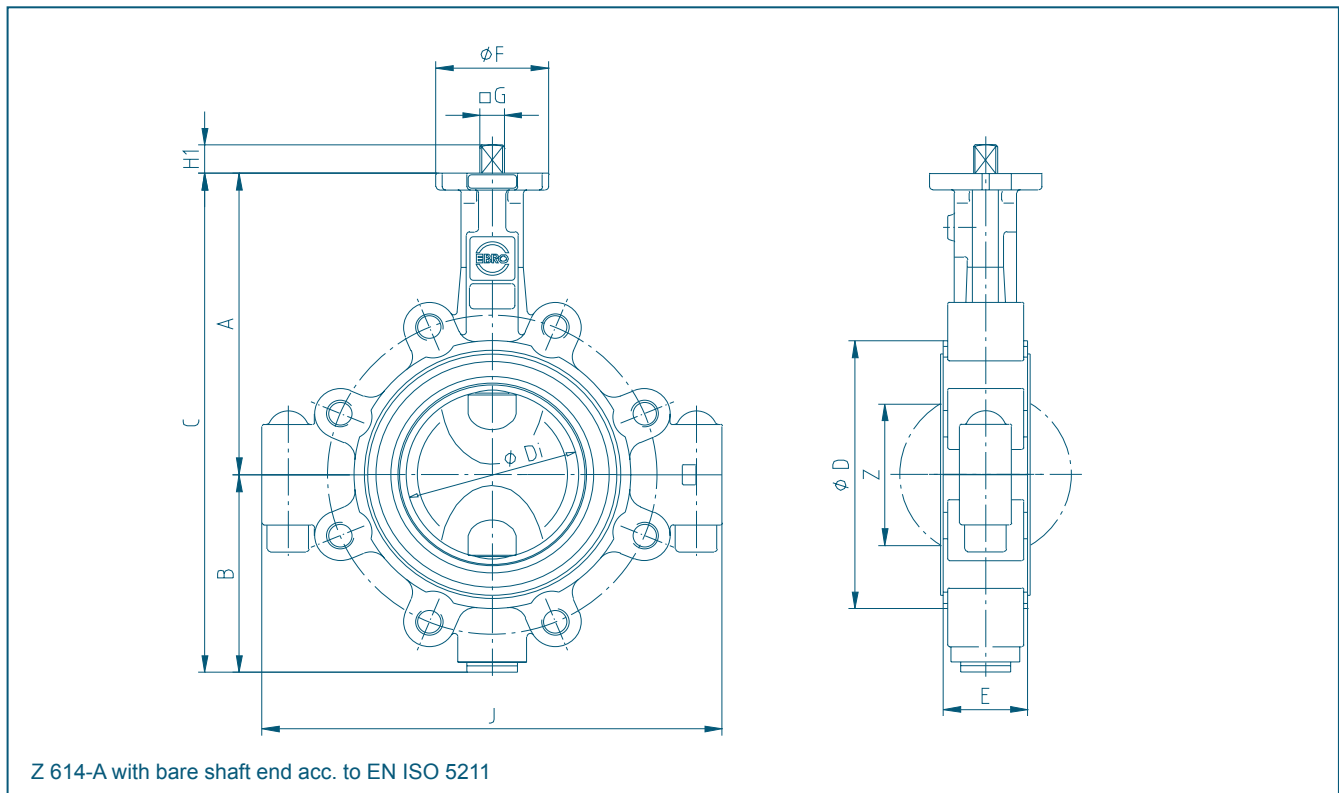
GENERAL APPLICATIONS

- Food and beverage industry
- Purifications plants
- Pharmaceutical industry
- Chemical and petrochemical industry
- Water and waste water industry
- Pneumatic materials handling technology
- Shipbuilding
- Power plants
- Civil engineering



The split body design allows quick and easy maintenance.

LUG TYPE BUTTERFLY VALVE Z 614-A

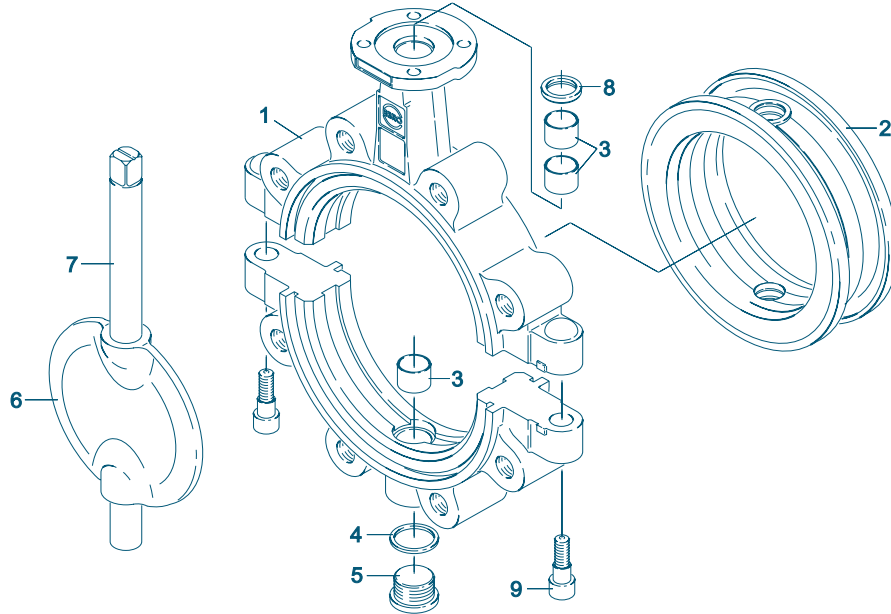


| DN [mm] | Size [in] | Dimensions [mm] | | | | | | | | | | | | Weight [kg] |
|------------|--------------|-----------------|-----|-----|-----|-----|----|-----|--------|----|------|-----|-----|----------------|
| | | A | B | C | D | Di | E | F | Flange | G | H1 | J | Z | |
| 50 | 2 | 126 | 84 | 210 | 112 | 49 | 43 | 54 | F04 | 11 | 13,5 | 167 | 25 | 4,9 |
| 65 | 2½ | 134 | 93 | 227 | 120 | 64 | 46 | 54 | F04 | 11 | 13,5 | 181 | 45 | 5,6 |
| 80 | 3 | 157 | 104 | 261 | 138 | 79 | 46 | 65 | F05 | 14 | 17 | 227 | 64 | 8,7 |
| 100 | 4 | 167 | 115 | 282 | 160 | 99 | 52 | 65 | F05 | 14 | 17 | 266 | 84 | 10,0 |
| 125 | 5 | 180 | 127 | 307 | 190 | 124 | 56 | 65 | F05 | 14 | 17 | 300 | 110 | 10,2 |
| 150 | 6 | 203 | 150 | 353 | 215 | 149 | 56 | 88 | F07 | 17 | 20 | 322 | 138 | 13,2 |
| 200 | 8 | 228 | 176 | 404 | 269 | 199 | 60 | 88 | F07 | 17 | 20 | 390 | 189 | 19,0 |
| 250 | 10 | 266 | 212 | 478 | 324 | 249 | 68 | 125 | F10 | 22 | 23,5 | 481 | 239 | 29,7 |
| 300 | 12 | 291 | 237 | 528 | 374 | 297 | 78 | 125 | F10 | 22 | 23,5 | 558 | 286 | 37,2 |

Subject to change without notice

LUG TYPE BUTTERFLY VALVE Z 614-A

MATERIAL SPECIFICATION AND PARTS LIST



| Pt. | Description | Material | Material No. | ASTM | Pt. | Description | Material | Material No. | ASTM |
|----------|----------------------|---|--------------|----------|------------|-----------------------------|------------------------|--------------|-------|
| 1 | Body | | | | 5 | Plug screw DIN 908 | | | |
| | Nodular cast iron | EN-JS 1030 | GGG 40 | 60-40-18 | | Stainless Steel | G-X5CrNiMo19-11-2 | 1.4408 | CF8M |
| 2 | Seat | | | | 6/7 | Shaft/Disc one piece | | | |
| | NBR | Nitrile butadiene rubber | | | | Stainless Steel | G-X2CrNiMoN26-7-4 | 1.4469 | A 995 |
| | EPDM | Ethylene propylene diene monomer rubber | | | 8 | Wiper ring | | | |
| | CSM | Chlorosulfonated polyethylene rubber | | | | PTFE | Polytetrafluorethylene | PTFE | PTFE |
| | FPM | Fluorocarbon rubber | | | 9 | Screw | | | |
| | VSI | Silicone rubber | | | | Stainless Steel | A4-70 | 1.4401 | B8M |
| | SBR-green | Styrene butadiene rubber | | | | | | | |
| 3 | Bearing bush | | | | | | | | |
| | Brass | MS 58 | 2.0401 | B 45 | | | | | |
| 4 | Seal DIN 7603 | | | | | | | | |
| | Copper | Cu | | Copper | | | | | |

Above-mentioned materials of the basic version, other materials upon request

Subject to change without notice

LUG TYPE BUTTERFLY VALVE Z 614-A

TORQUE

- The values listed in the table are initial breakaway torques, taken with liquids and lubricant media.

- Please regard these as approximate values, as the objective value depends on different factors like pressure, medium, rubber, quality, temperature ... etc.

- Our engineers look forward to help you with exact values for your application.

- Powdery (non-lubricant) media
Md x 1,3

- Dry gases/high viscous media
Md x 1,2

| | | | | | | | | | |
|------------------|----|----|----|-----|-----|-----|-----|-----|-----|
| DN (mm) | 50 | 65 | 80 | 100 | 125 | 150 | 200 | 250 | 300 |
| Size (in) | 2 | 2½ | 3 | 4 | 5 | 6 | 8 | 10 | 12 |
| MD (Nm) | 7 | 15 | 18 | 28 | 45 | 110 | 140 | 200 | 280 |

All values in Nm

K_v-VALUES

- The K_v-value [m³ per hour] is the flow of water at a temperature of 5°C to 30°C (41°F to 86°F) at Δp of 1 bar

- The K_v-values specified are based on tests carried out by the Delfter Hydraulics Laboratories, the Netherlands

- Permissible velocity of flow
V_{max} 4,5 m/s for liquids,
V_{max} 70 m/s for gases

- The throttle function is linear at an angle 30° to 70°

- Avoid cavitation

For further values, please contact our engineers.

| DN [mm] | Size [in] | Opening angle α° | | | | | | | |
|------------|-----------|------------------|------|------|------|------|------|------|------|
| | | 20° | 30° | 40° | 50° | 60° | 70° | 80° | 90° |
| 50 | 2 | 3,84 | 10,1 | 20,7 | 34,4 | 49,7 | 65,2 | 79,5 | 91,2 |
| 65 | 2½ | 9,5 | 16,6 | 39,1 | 72,6 | 113 | 157 | 199 | 235 |
| 80 | 3 | 15,6 | 20,6 | 51,4 | 102 | 165 | 234 | 304 | 368 |
| 100 | 4 | 24,9 | 39,8 | 96,5 | 183 | 288 | 398 | 503 | 589 |
| 125 | 5 | 51,8 | 67,2 | 135 | 256 | 428 | 652 | 926 | 1250 |
| 150 | 6 | 76,5 | 97,3 | 197 | 375 | 629 | 957 | 1360 | 1830 |
| 200 | 8 | 137 | 187 | 373 | 697 | 1160 | 1760 | 2510 | 3400 |
| 250 | 10 | 227 | 271 | 563 | 1090 | 1850 | 2830 | 4010 | 5390 |
| 300 | 12 | 287 | 409 | 820 | 1550 | 2610 | 4050 | 5880 | 8120 |

Subject to change without notice