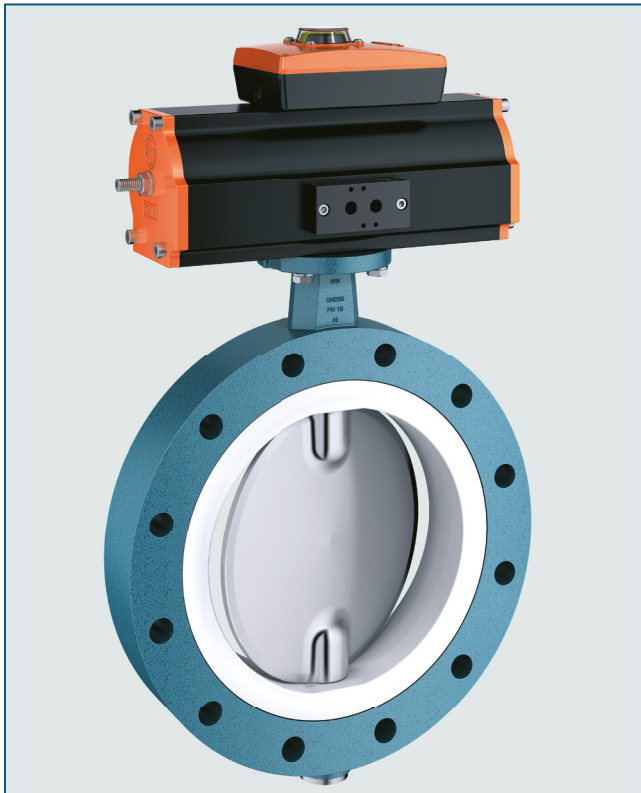


# FULL FLANGE BUTTERFLY VALVE Z 014-WN



The full flange design of this valve series provides spaceless sealing with the counterflanges, so objectionable scaling is avoided.

## TECHNICAL DATA

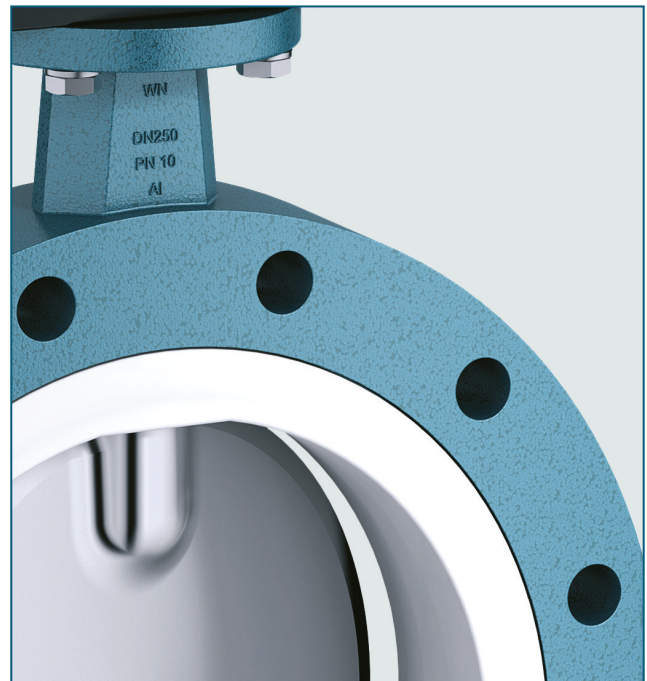
Nominal diameter:	DN 20 - DN 600
Face-to-face:	EBRO works standard
Flange accommodation:	EN 1092 PN 10 Special drilled holes upon request
Flange Surface Design:	EN 1092 Form A/B ASME RF, FF
Top flange:	EN ISO 5211
Marking:	EN 19
Tightness check:	EN 12266 (Leakage rate A) ISO 5208, Category 3
Design standard:	EN 593
Temperature range:	-10°C to +200°C (depending on pressure, medium and material)
Operating pressure:	max. 10 bar

## FEATURES

- The valve body and disc are accurately machined which results in low operating torque and long service life and reliability
- Triple shaft bearings prevent shaft deflection and guarantee optimum guidance even after many years of operating service
- Can be disassembled, material-specific recycling possible
- Single flange mounting is possible
- Can be installed in any desired position
- Maintenance-free
- Full flange butterfly valve with an aluminum body

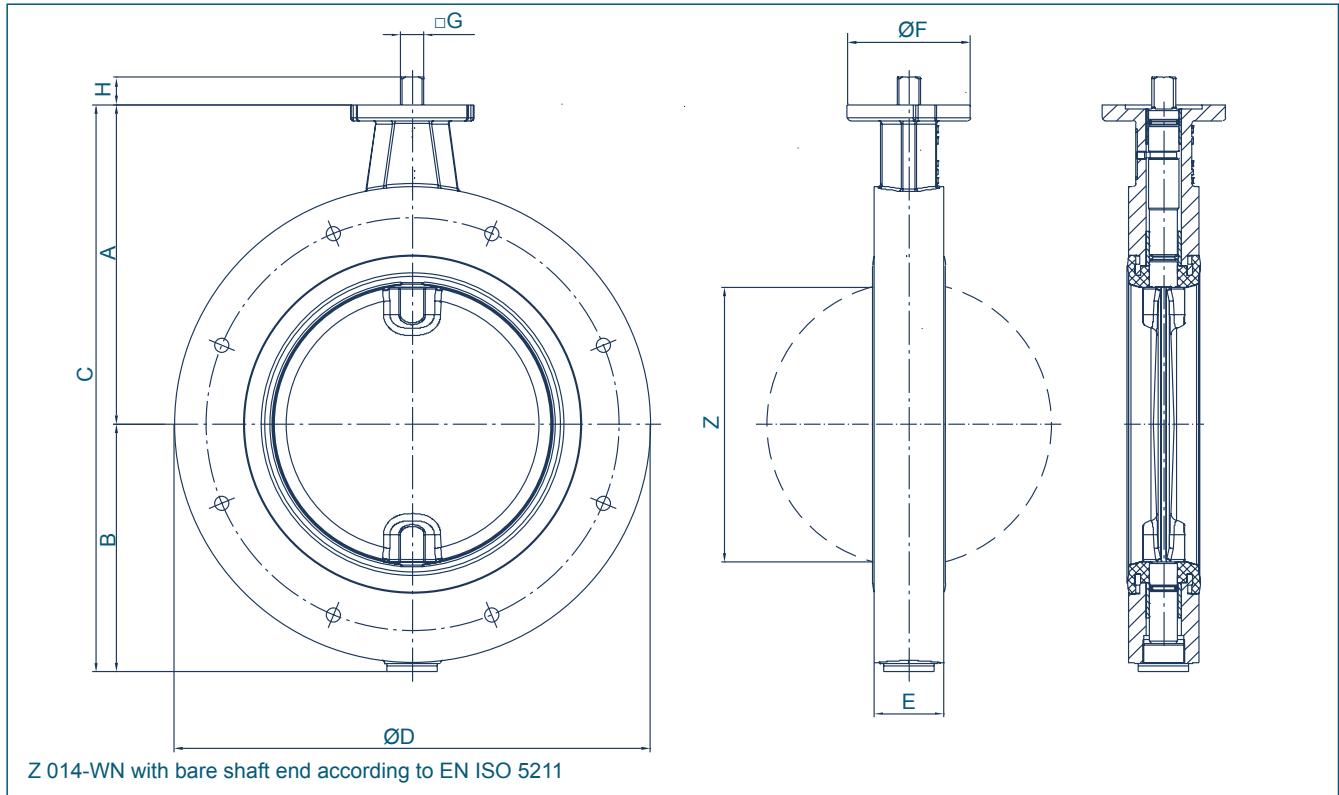
## GENERAL APPLICATIONS

- Food industry
- Pneumatic materials handling technology
- Bulk goods technology
- Pneumatic materials handling technology
- Pharmaceutical industrie
- Building material industrie



Full flange butterfly valve Z014-WN with through going holes. Other hole patterns on request.

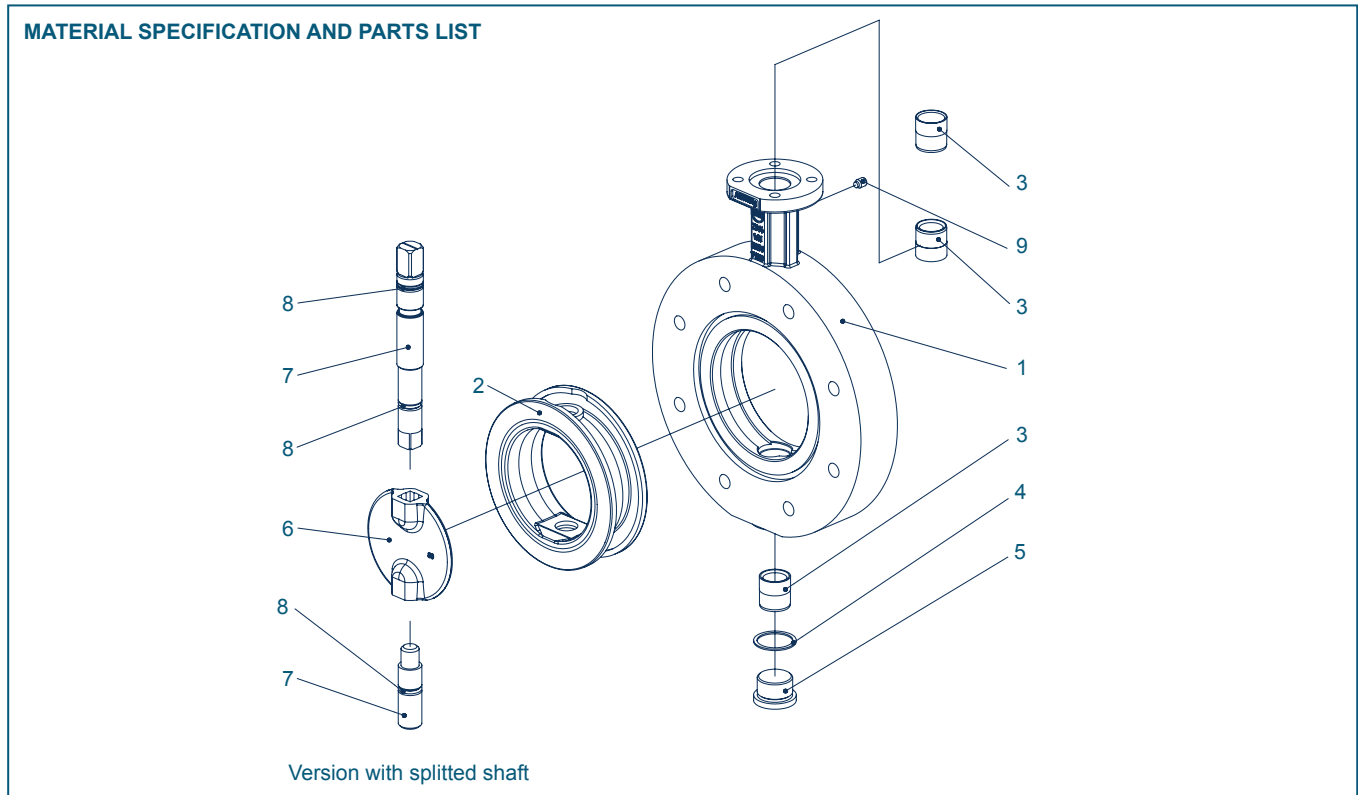
# FULL FLANGE BUTTERFLY VALVE Z 014-WN



DN [mm]	Size [in]	Dimensions [mm]									Flange	Weight [kg]
		A	B	C	ØD	E	ØF	G	H	Z		
50	2	126	84,5	210,5	165	35	54	11	12	35,5	F04	2,1
65	2½	134,5	93	227,5	185	35	54	11	12	54,5	F04	2,5
80	3	157	104,5	261,5	200	35	65	14	16	71,5	F05	3
100	4	167,5	115,5	283	220	35	65	14	16	93,5	F05	3,5
125	5	180	128	308	250	40	65	14	16	117,5	F05	4,7
150	6	203	151	354	285	40	90	17	19	143,5	F07	6,7
200	8	228,5	176,5	405	340	50	90	17	19	193	F07	10,5
250	10	281	213	494	395	68	125	22	24	240	F10	19,5
300	12	293	238	531	445	65	125	22	24	290	F10	24,5
350	14	332	262	594	505	65	150	22	24	332,5	F12	30,5
400	16	363	306	669	565	75	150	22	24	382	F12	41
500	20	422	371	793	670	85	150	32	34	482	F12/14	-
600	24	470	434	904	780	85	175	32	34	576	F14	-

Subject to change without notice

# FULL FLANGE BUTTERFLY VALVE Z 014-WN



Pt.	Description	Material	Material-No.	ASTM	Pt.	Description	Material	Material-No.	ASTM
1	<b>Body</b>				5	<b>Plug screw DIN 908</b>			
	Aluminium alloy	EN AC 43000	3.2381			Stainless Steel	G-X5CrNiMo19-11-2	1.4408	CF8M
2	<b>Seat</b>				6	<b>Disc</b>			
	NBR	Nitrile butadiene rubber				Stainless Steel	X2CrNiMo17-12-2	1.4404	316 L
	EPDM	Ethylene propylene diene monomer rubber					G-X5CrNiMo19-11-2	1.4408	CF8M
	FKM	Fluorocarbon rubber			7	<b>Shaft</b>			
	FMQ	Silicone rubber				Stainless Steel	X14CrMoS17	1.4104	430 F
	SBR	Styrene butadiene rubber					X5/(X2)CrNiMo17-12-2	1.4401/1.4404	316
3	<b>Bearing bush</b>				8	<b>O-ring</b>			
	Brass	MS 58	2.0401	B 45		NBR			Nitrile butadiene rubber
4	<b>Seal DIN 7603</b>				9	<b>Threaded pin</b>			
	Copper	Cu		Copper		Steel			45 H galvanized
									Other materials upon request

Subject to change without notice

# FULL FLANGE BUTTERFLY VALVE Z 014-WN

## TORQUE

- The values listed in the table are initial breakaway torques, taken with liquids and lubricant media.

- Please regard these as approximate values, as the objective value depends on different factors like pressure, medium, rubber, quality, temperature ... etc.

- Our engineers look forward to help you with exact values for your application.

- Powdery (non-lubricant) media  
Md x 1,3

- Dry gases/high viscous media  
Md x 1,2

DN [mm]	Size [in]	Adapted Disc Size Pressure Rating		
		3 bar disc	6 bar disc	10 bar disc
50	2	9	9	9
65	2½	18	18	18
80	3	8	10	18
100	4	9	18	28
125	5	15	22	45
150	6	36	45	78
200	8	59	76	140
250	10	150	180	200
300	12	200	240	280
350	14	350	540	610
400	16	420	620	750
500	20	900	1100	2255
600	24	1050	2100	3000

All values in Nm

## K<sub>v</sub>-VALUES

- The K<sub>v</sub>-values [m<sup>3</sup> per hour] is the flow of water at a temperature of 5°C to 30°C (41°F to 86°F) at Δp of 1 bar

- The K<sub>v</sub>-values specified are based on tests carried out by the Delfter Hydraulics Laboratories, the Netherlands

- Permissible velocity of flow  
V<sub>max</sub> 4,5 m/s for liquids,  
V<sub>max</sub> 70 m/s for gases

- The throttle function is linear at an angle 30° to 70°

- Avoid cavitation

DN [mm]	Size [in]	Opening angle α°							
		20°	30°	40°	50°	60°	70°	80°	90°
50	2	3,84	10,1	20,7	34,4	49,7	65,2	79,5	91,2
65	2½	9,5	16,6	39,1	72,6	113	157	199	235
80	3	15,6	20,6	51,4	102	165	234	304	368
100	4	24,9	39,8	96,5	183	288	398	503	589
125	5	51,8	67,2	135	256	428	652	926	1250
150	6	76,5	97,3	197	375	629	957	1360	1830
200	8	137	187	373	697	1160	1760	2510	3400
250	10	227	271	563	1090	1850	2830	4010	5390
300	12	287	409	820	1550	2610	4050	5880	8120
350	14	399	488	1070	2110	3590	5480	7760	10400
400	16	557	703	1360	2600	4470	7060	10400	14600
500	20	875	1110	2250	4280	7180	10900	15500	20900
600	24	1230	1550	3150	6010	10090	15400	21800	29400

Subject to change without notice

For further values, please contact our engineers.