

# WAFER TYPE BUTTERFLY VALVE TW-M



Bonded, metal seated wafer type butterfly valve TW-M for tank lorries.

## TECHNICAL DATA

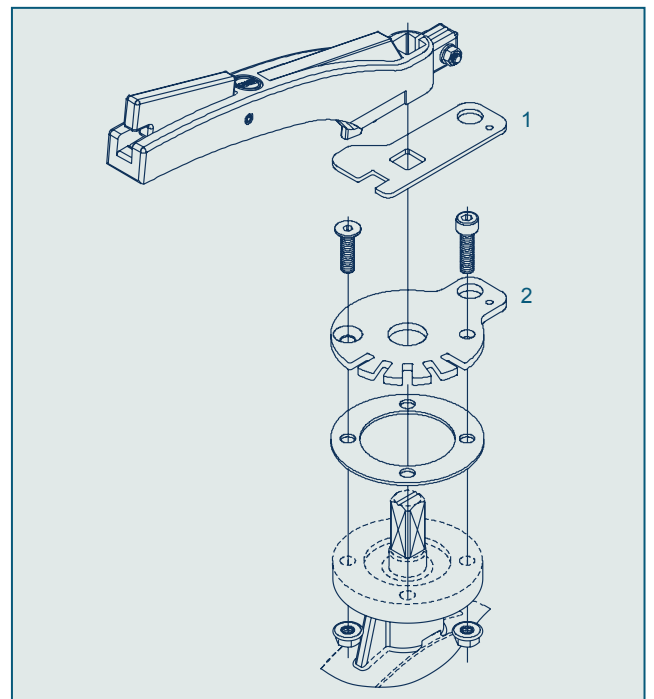
Nominal diameter:	DN 80 - DN 300
Face-to-face:	EBRO works standard
Flange accommodation:	EN 1092 flanges for tank lorries Customer-specific PN 6/10/16
Flange Surface Design:	EN 1092 Form A/B ASME RF
Top flange:	EN ISO 5211
Marking:	EN 19
Operating pressure:	max. 6 bar

## FEATURES

- Maintenance-free
- Triple shaft bearing
- One-piece precise slotted shaft
- All parts being in contact with the media. Corrosion resistant and FDA-approved
- Bonded plate (optional)
- Can be installed in any desired position
- Sealing of the flange surfaces by means of integrated o-rings
- Cavity-free
- Not sealed by water and gas
- Lighting gap between body and disc

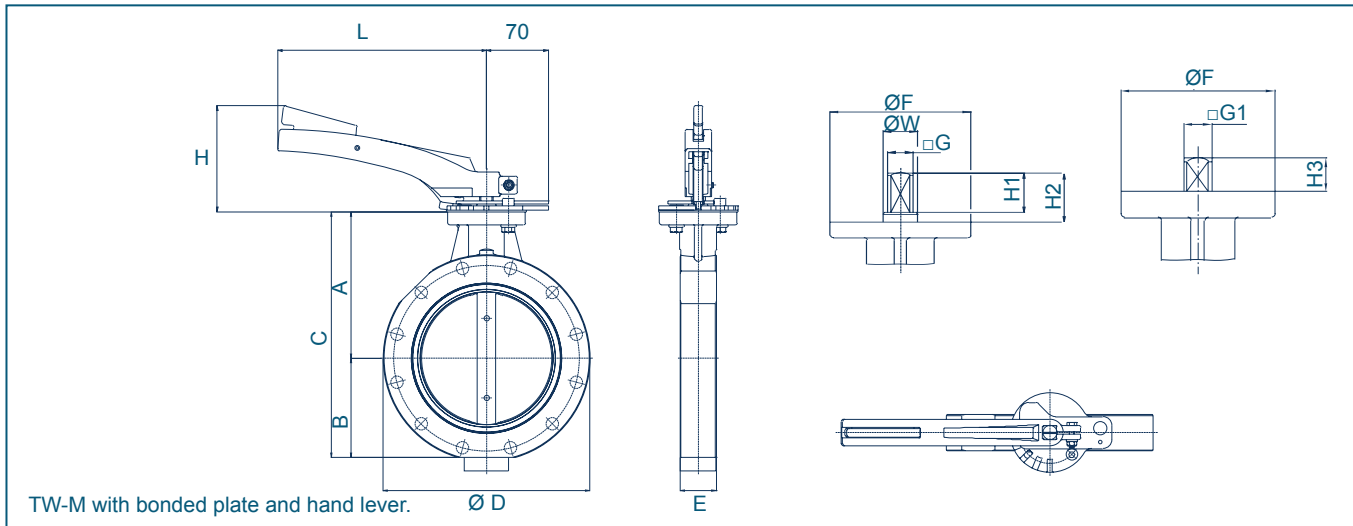
## GENERAL APPLICATIONS

- Tank lorries
- Silo constructions
- Granulate handling
- Food industry
- Control of product streams



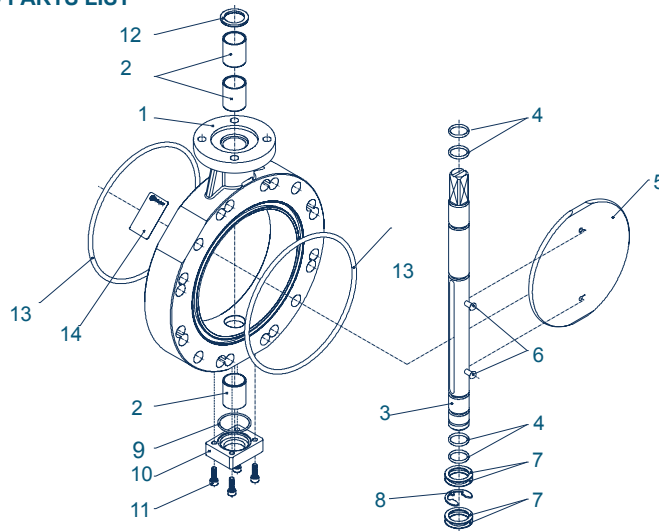
1 - Sealing ear  
2 - Bonded notch lever

# WAFER TYPE BUTTERFLY VALVE TW-M



DN [mm]	Size [in]	Dimensions [mm]													Weight [kg]	
		A	B	C	ØD	E	ØF	□G	□G1	H	H1	H2	H3	L		øW
80	3	125	97	222	154	36	88	14	14	98	30	39	17	195	18	2,8
100	4	130	97	227	176	36	88	14	14	98	30	39	17	195	18	3,2
150	6	166	127	333	234	41	88	16	17	120	36	45	19	236	22	5,1
200	8	195	152	347	274	51	88	16	17	120	36	45	19	236	22	8,5
250	10	266	179	445	328	66	125	-	22	-	-	-	24	-	-	16,3
300	12	291	204	495	378	66	125	-	22	-	-	-	24	-	-	20,0

## MATERIAL SPECIFICATION AND PARTS LIST



Pos.	Description	Material	Material-No	Pos.	Description	Material	Material-No
1	Body	Aluminium	3.2373	8	Seeger- retaining ring	Stainless steel	A2
2	Bearing sleeve	iglidur G		9	O-ring	Viton	
3	Shaft	Stainless steel	1.4418	10	Cover plate	Aluminium	
4	O-ring	Viton		11	Screw	Stainless steel	A4
5	Disc	Stainless steel	1.4541	12	Wiper ring	PTFE	
6	Half - round - rivet	Stainless steel	A4	13	O-ring	NBR	
7	Adjusting washer	Stainless steel	A2	14	Rating plate	PVC silver	

Subject to change without notice