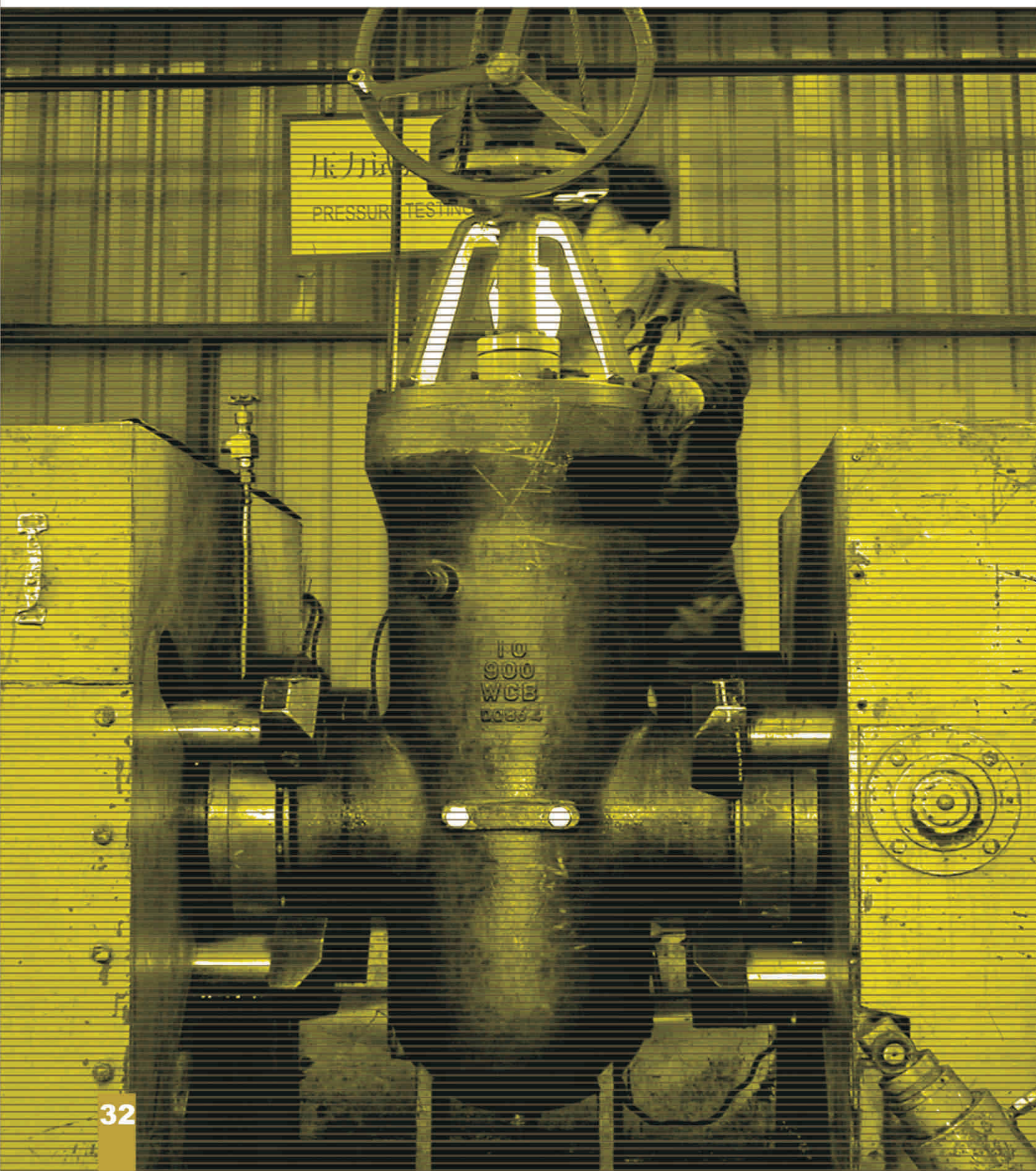
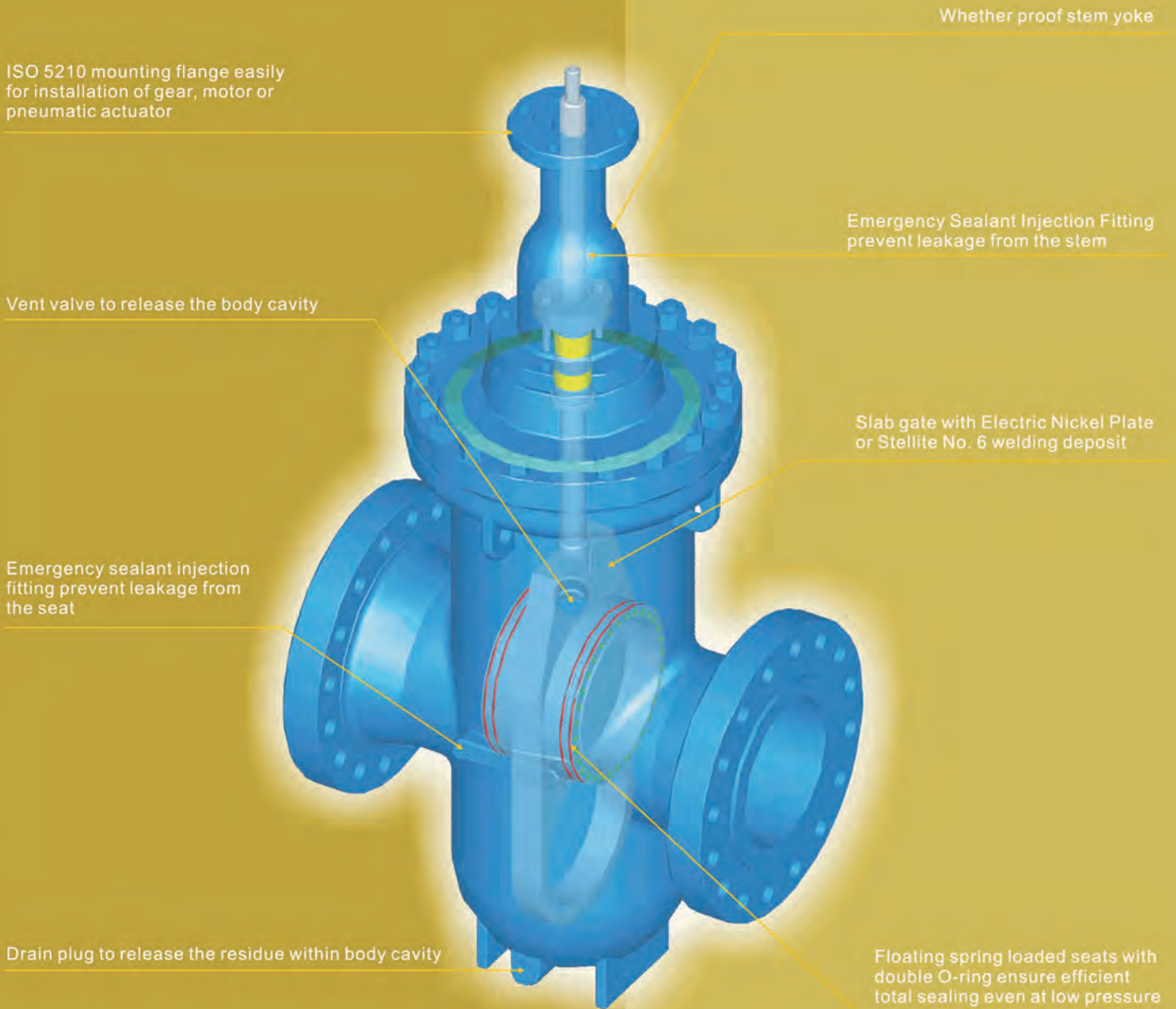


Series GT Through Conduit Gate Valve

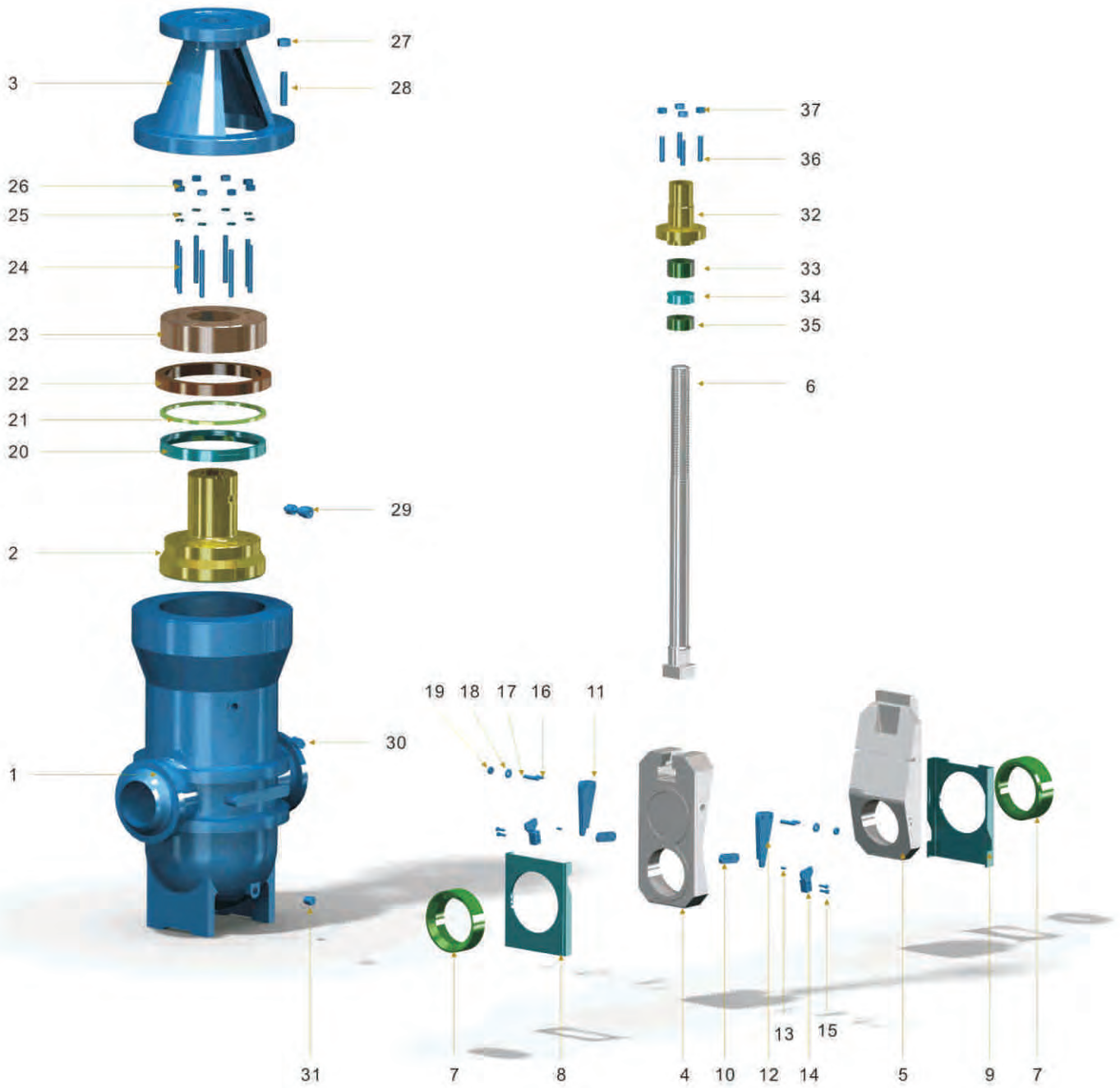


Neway through conduit gate valves has 2 main series: Slab Gate and Expanding Gate, both are fully comply with API 6D standard. For conventional temperature service, Neway slab gate valves are designed for temperature service ranging from -46°C

to 200°C. For high temperature service, Neway expanding gate valve can be used up to 500°C. Neway through conduit gate valve size range from 2" ~48" class rating from 150lb~2500lb, all available in bolted bonnet or pressure seal bonnet.

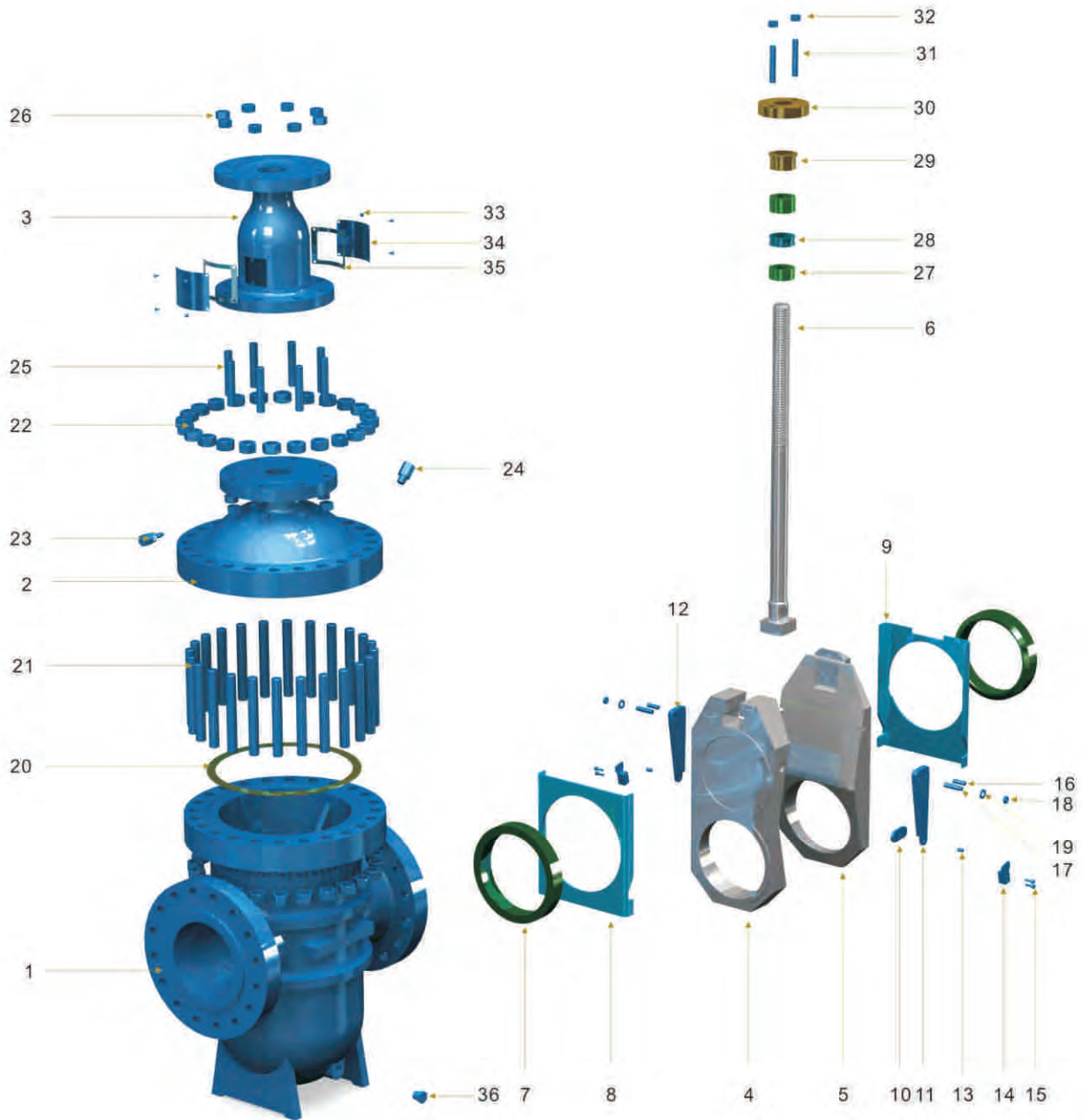


This is a typical NEWAY series GT Through Conduit Gate Valve illustrated cross-section drawing which is only for demonstrating of basic design features. The actual product design may be slightly different from this sample drawing due to its size and pressure class.



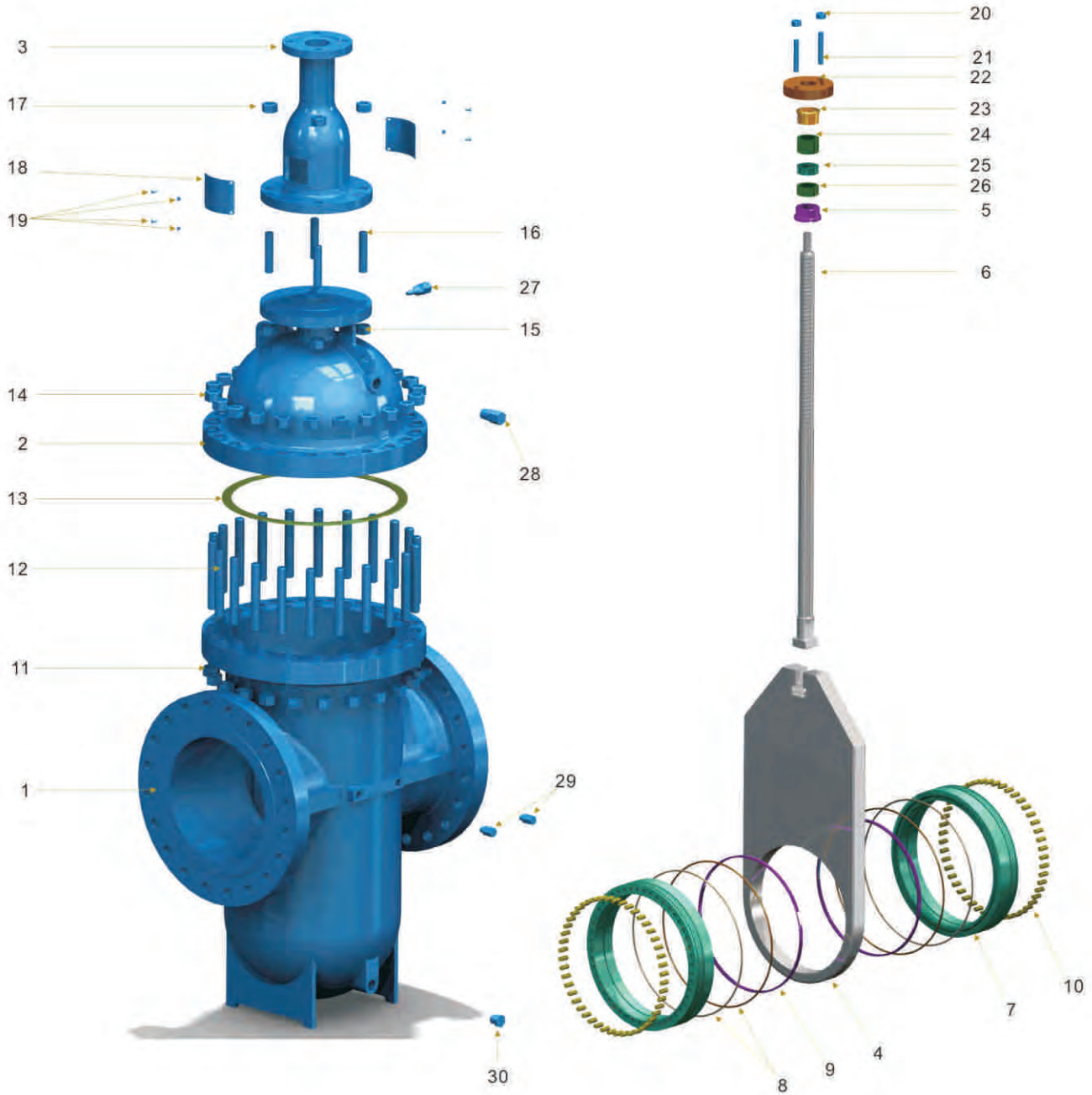
No	Part	Standard	Sour Service	Low Temperature Service
1	Body	ASTM A216-WCB	ASTM A216-WCB	ASTM A352-LCB
2	Bonnet	ASTM A216-WCB	ASTM A216-WCB	ASTM A352-LCB
3	Yoke	ASTM A216-WCB	ASTM A216-WCB	ASTM A352-LCB
4	Main Wedge	ASTM A105N/HARD FACE	ASTM A105N/HARD FACE	ASTM A350-LF2/HARD FACE
5	Second Wedge	ASTM A105N/HARD FACE	ASTM A105N/HARD FACE	ASTM A350-LF2/HARD FACE
6	Stem	ASTM A182-F6a	ASTM A182-F6a	ASTM A182-F316
7	Seat Ring	ASTM A105N/HARD FACE	ASTM A105N/HARD FACE	ASTM A350-LF2/HARD FACE
8	Body Stud	ASTM A193-B7	ASTM A193-B7M	ASTM A320-L7M
9	Body Nut	ASTM A194-2H	ASTM A194-2HM	ASTM A194-7M

Index No	Part	Index No	Part	Index No	Part
1	Body	15	Screw	29	Stem Injection
2	Bonnet	16	Pin	30	Vent Valve
3	Yoke	17	Pin	31	Plug
4	Main Wedge	18	Washer	32	Gland
5	Second Wedge	19	Nut	33	Packing
6	Stem	20	Gasket	34	Lantern Ring
7	Seat Ring	21	Compression Ring	35	Packing
8	Main Guider Plate	22	Separated Ring	36	Stud
9	Second Guider Plate	23	Supporting Cover	37	Nut
10	Slide Block	24	Stud		
11	Left Roker	25	Washer		
12	Right Roker	26	Nut		
13	Pin	27	Nut		
14	Base Block Rough	28	Stud		



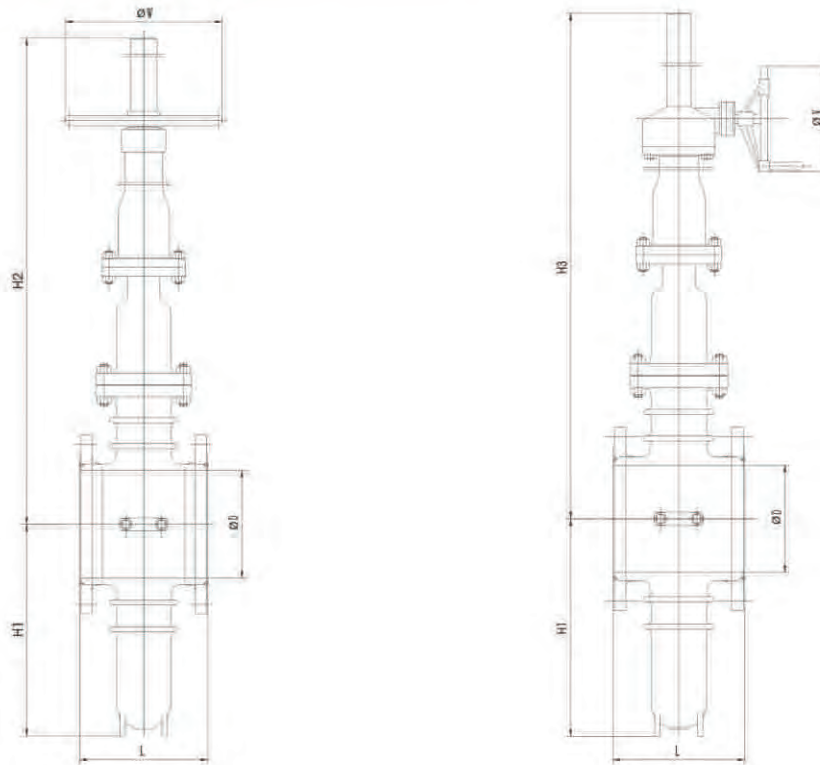
No	Part	Standard	Sour Service	Low Temperature Service
1	Body	ASTM A216-WCB	ASTM A216-WCB	ASTM A352-LCB
2	Bonnet	ASTM A216-WCB	ASTM A216-WCB	ASTM A352-LCB
3	Yoke	ASTM A216-WCB	ASTM A216-WCB	ASTM A352-LCB
4	Main Wedge	ASTM A105N/HARD FACE	ASTM A105N/HARD FACE	ASTM A350-LF2/HARD FACE
5	Second Wedge	ASTM A105N/HARD FACE	ASTM A105N/HARD FACE	ASTM A350-LF2/HARD FACE
6	Stem	ASTM A182-F6a	ASTM A182-F6a	ASTM A182-F316
7	Seat Ring	ASTM A105N/HARD FACE	ASTM A105N/HARD FACE	ASTM A350-LF2/HARD FACE
8	Body Stud	ASTM A193-B7	ASTM A193-B7M	ASTM A320-L7M
9	Body Nut	ASTM A194-2H	ASTM A194-2HM	ASTM A194-7M

Index No	Part	Index No	Part	Index No	Part
1	Body	15	Screw	29	Gland
2	Bonnet	16	Pin	30	Gland Flange
3	Yoke	17	Pin	31	Stud
4	Main Wedge	18	Washer	32	Nut
5	Second Wedge	19	Nut	33	Screw
6	Stem	20	Gasket	34	Side Cover Plate
7	Seat Ring	21	Body Stud	36	Gasket
8	Main Guider Plate	22	Body Nut	36	Plug
9	Second Guider Plate	23	Stem Injection		
10	Slide Block	24	Vent Valve		
11	Right Roker	25	Stud		
12	Left Roker	26	Nut		
13	Pin	27	Packing		
14	Base Block Rough	28	Lantern Ring		



No	Part	Standard	Sour Service	Low Temperature Service
1	Body	ASTM A216-WCB	ASTM A216-WCB	ASTM A352-LCB
2	Bonnet	ASTM A216-WCB	ASTM A216-WCB	ASTM A352-LCB
3	Yoke	ASTM A216-WCB	ASTM A216-WCB	ASTM A352-LCB
4	Wedge	ASTM A105N/ENP	ASTM A105N/ENP	ASTM A350-LF2/ENP
5	Stem	ASTM A182-F6a	ASTM A182-F6a	ASTM A182-F316
6	Seat Ring	ASTM A105N/ENP	ASTM A105N/ENP	ASTM A350-LF2/ENP
7	Body Stud	ASTM A193-B7	ASTM A193-B7M	ASTM A320-L7M
8	Body Nut	ASTM A194-2H	ASTM A194-2HM	ASTM A194-7M

Index No	Part	Index No	Part	Index No	Part
1	Body	11	Nut	21	Stud
2	Bonnet	12	Stud	22	Gland Flange
3	Yoke	13	Gasket	23	Gland
4	Wedge	14	Nut	24	Packing
5	Back Seat	15	Nut	25	Lantern Ring
6	Stem	16	Stud	26	Packing
7	Retainer	17	Nut	27	Stem Injection
8	O-ring	18	Side Cover	28	Vent Valve
9	Gasket	19	Screw	29	Injection
10	Spring	20	Nut	30	Plug

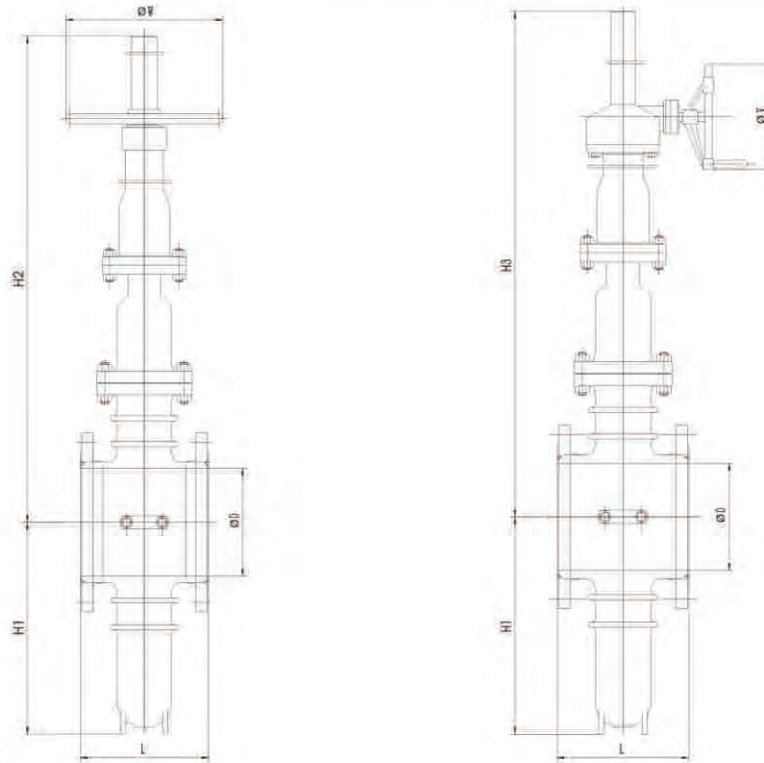


Class 150LB (in)

Size	H1	Travel	H2	H3	L			D	φ W	φ v	Weight
					BW	RF	RTJ				
2"	5.24	2.50	21.54		8.50	7.01	7.52	2.00	7.09		34
2-1/2"	7.09	3.07	23.35		9.49	7.52	8.00	2.50	7.87		48
3"	7.48	3.50	26.57		11.14	8.00	8.50	3.00	9.84		56
4"	9.96	4.76	28.66		12.01	9.02	9.49	4.00	7.87		84
6"	13.78	6.93	41.54	40.63	15.87	10.51	10.98	6.00	9.84	12.01	142
8"	16.54	8.94	49.49	50.35	16.50	11.50	12.01	8.00	11.81	12.01	236
10"	19.69	10.94	57.05	57.72	17.99	12.99	13.50	10.00	13.78	12.01	352
12"	22.83	13.43	65.94	66.14	19.76	14.02	14.49	12.00	15.75	12.01	450
14"	24.80	14.61	73.50	72.64	25.22	15.00	15.51	13.25	17.72	12.01	600
16"	28.66	16.69	80.20	79.76	24.02	15.98	16.50	15.25	19.69	17.72	736
18"	31.69	18.90	87.52	89.09	25.98	17.01	15.72	17.25	21.65	17.72	890
20"	35.04	20.94	24.12	96.50	27.99	17.99	18.50	19.25	23.62	24.02	1120
22"	38.58	22.99		106.50		20.00		21.25		24.02	1700
24"	41.73	24.88		115.16	32.01	20.00	20.51	23.25		24.02	2010
26	45.28	26.89		121.18	34.02	22.01		25.00		24.02	2320
28"	48.43	28.74		126.93	35.98	24.02		27.00		24.02	2650
30"	51.57	31.26		137.95	35.98	25.98		29.00		24.02	2920
32"	54.02	32.80		142.64	37.99	27.99		30.75		24.02	3580
34"	57.80	34.92		149.69	40.00	30.00		32.75		24.02	4280
36"	62.99	36.10		156.18	40.00	32.01		34.50		24.02	5370
40"	65.00	10.87		165.39	35.98	35.98		38.50		24.02	6820
42"	71.54	42.44		184.13	37.99	37.99		40.25		24.02	7460
48"	78.86	48.94		198.11	44.02	44.02		46.00		31.89	10480

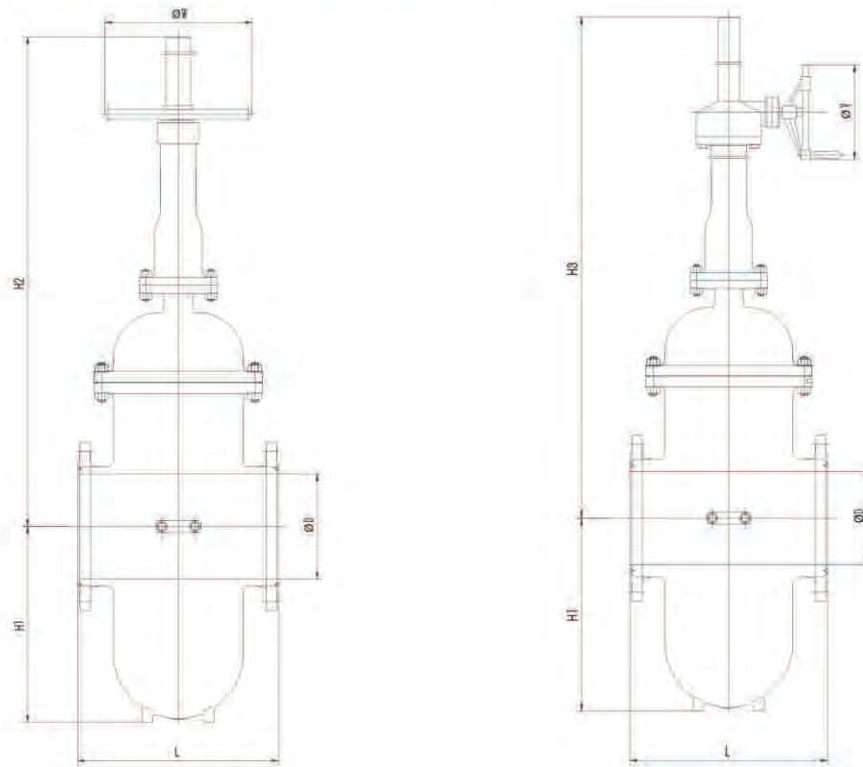
Dimensions

Series GT Through Conduit Gate Valve



Class 150LB (mm)

Size	H1	Travel	H2	H3	L			D	ϕW	ϕv	Weight
					BW	RF	RTJ				
50	133	65	547		216	178	191	51	180		34
65	180	78	593		241	191	203	64	200		48
80	190	89	675		283	203	216	76	250		56
100	253	121	728		305	229	241	102	200		84
150	350	176	1055	1032	403	267	279	152	250		142
200	420	227	1257	1279	419	292	305	203	300	305	236
250	500	278	1449	1466	457	330	343	254	350	305	352
300	580	341	1675	1680	502	356	368	305	400	305	450
350	630	371	1867	1845	572	381	394	337	450	305	600
400	728	424	2037	2026	610	406	419	387	500	305	736
450	805	480	2223	2263	660	432	445	438	550	458	890
500	890	532	2412	2451	711	457	470	489	600	458	1120
550	980	584		2705		508		540		610	1700
600	1060	632		2925	813	508	521	591		610	2010
650	1150	683		3078	864	559		635		610	2320
700	1230	730		3224	914	610		686		610	2650
750	1310	794		3504	914	660		737		610	2920
800	1372	833		3623	965	711		781		610	3580
850	1468	887		3802	1016	762		832		610	4280
900	1600	917		3967	1016	813		876		610	5370
1000	1651	1038		4201	914	914		978		610	6820
1050	1817	1078		4677	965	965		1022		610	7460
1200	2003	1243		5032	1118	1118		1168		810	10480

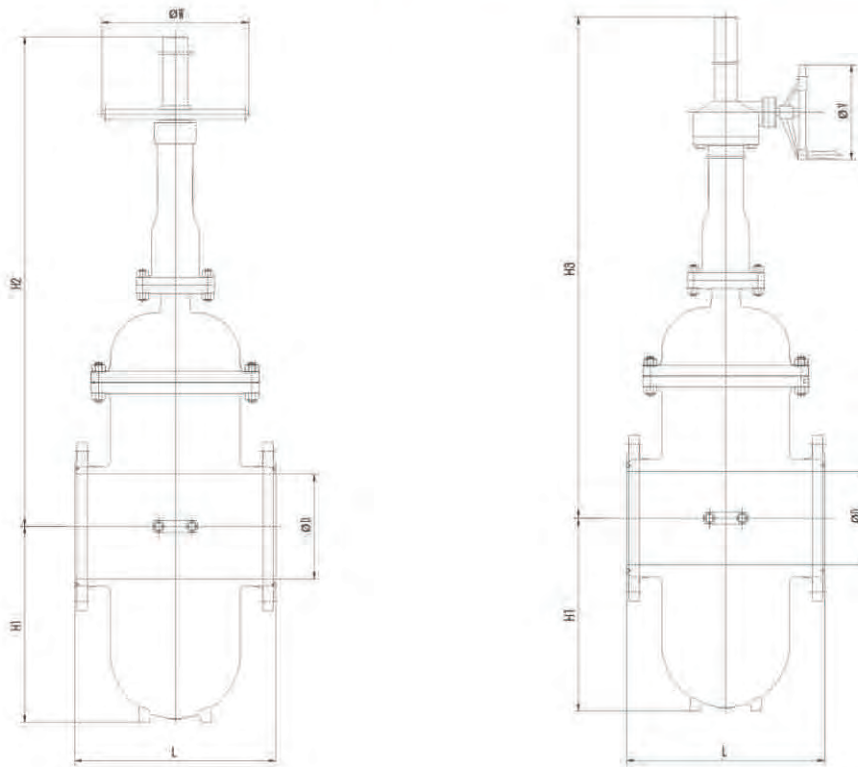


Class 300LB (in)

Size	H1	Travel	H2	H3	L			D	φ W	φ v	Weight
					BW	RF	RTJ				
2"	5.24	2.50	21.54		8.50	8.50	9.13	2.00	7.09		54
2-1/2"	7.68	3.23	23.35		9.49	9.49	10.12	2.50	7.87		72
3"	8.58	3.78	26.38		11.14	11.14	11.73	3.00	9.84		85
4"	9.96	4.76	32.20		12.01	12.01	12.64	4.00	9.84		112
6"	13.98	6.93	42.05	42.87	15.87	15.87	16.50	6.00	11.81	12.01	240
8"	16.73	8.94	49.80	49.49	16.50	16.50	17.13	8.00	13.78	12.01	365
10"	20.08	10.94	58.74	41.61	17.99	17.99	18.62	10.00	15.75	12.01	500
12"	23.23	13.43	69.57	67.24	19.76	19.76	20.39	12.00	17.72	12.01	757
14"	25.75	14.61	75.20	72.32	30.00	30.00	30.63	13.25	19.69	12.01	1050
16"	28.54	16.69	84.84	81.02	32.99	32.99	33.62	15.25	29.92	17.72	1480
18"	31.50	18.58		90.75	35.98	35.98	36.61	17.25		24.02	2040
20"	37.40	20.94		99.92	39.02	39.02	39.76	19.25		24.02	2650
22"	42.83	22.68		106.30	42.99	42.99	43.86	21.25		24.02	3500
24"	42.32	25.08		119.21	45.00	45.00	45.87	23.25		24.02	4260
26"	47.24	26.89		121.06	49.02	49.02	50.00	25.00		24.02	4800
28"	49.21	28.74		128.19	52.99	52.99	54.02	27.00		24.02	5510
30"	52.17	31.26		142.05	55.00	55.00	55.98	29.00		24.02	6300
32"	59.06	33.66		154.72	60.00	60.00	61.14	30.75		24.02	7000
34"	58.66	34.92		153.15	64.02	64.02	65.12	32.75		24.02	7900
36"	62.99	36.77		170.28	67.99	67.99	69.13	34.50		31.89	8900
40"	66.10	40.87		169.09		75.98		38.50		31.89	12800
42"	70.79	43.23		181.50		79.02		40.25		31.89	15000
48"	80.31	48.94		201.57		90.00				31.89	22300

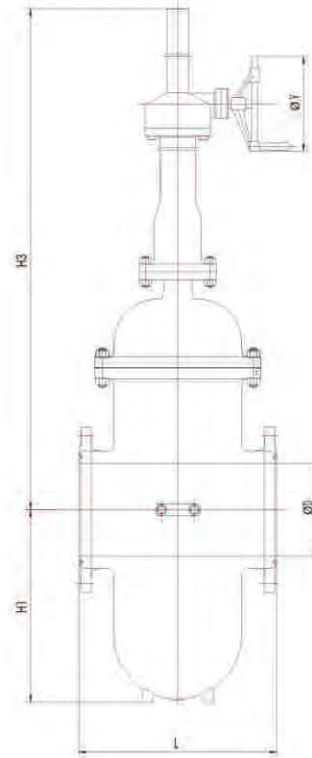
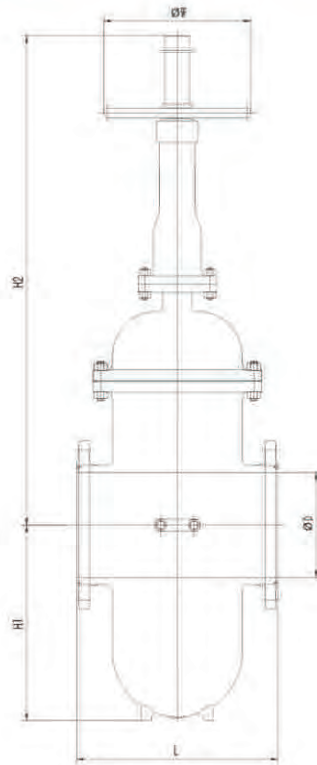
Dimensions

Series GT Through Conduit Gate Valve



Class 300LB (mm)

Size	H1	Travel	H2	H3	L			D	φ W	φ v	Weight
					BW	RF	RTJ				
50	133	65	481		216	216	232	51	180		54
65	195	82	593		241	241	257	64	200		72
80	218	96	670		283	283	298	76	250		85
100	253	121	818		305	305	321	102	250		112
150	355	176	1068	1089	403	403	419	152	300	305	240
200	425	227	1265	1257	419	419	435	203	350	305	365
250	510	278	1492	1057	457	457	473	254	400	305	500
300	590	341	1767	1708	502	502	518	305	450	305	757
350	654	371	1910	1837	762	762	778	337	500	305	1050
400	725	424	2155	2058	838	838	854	387	760	458	1480
450	800	472		2305	914	914	930	438		610	2040
500	950	532		2538	991	991	1010	489		610	2650
550	1088	576		2700	1092	1092	1114	540		610	3500
600	1075	637		3028	1143	1143	1165	591		610	4260
650	1200	683		3075	1245	1245	1270	635		610	4800
700	1250	730		3256	1346	1346	1372	686		610	5510
750	1325	794		3608	1397	1397	1422	737		610	6300
800	1500	855		3930	1524	1524	1553	781		610	7000
850	1490	887		3890	1626	1626	1654	832		610	7900
900	1600	934		4325	1727	1727	1756	876		810	8900
1000	1679	1038		4295		1930		978		810	12800
1050	1798	1098		4610		2007		1022		810	15000
1200	2040	1243		5120		2286				810	22300

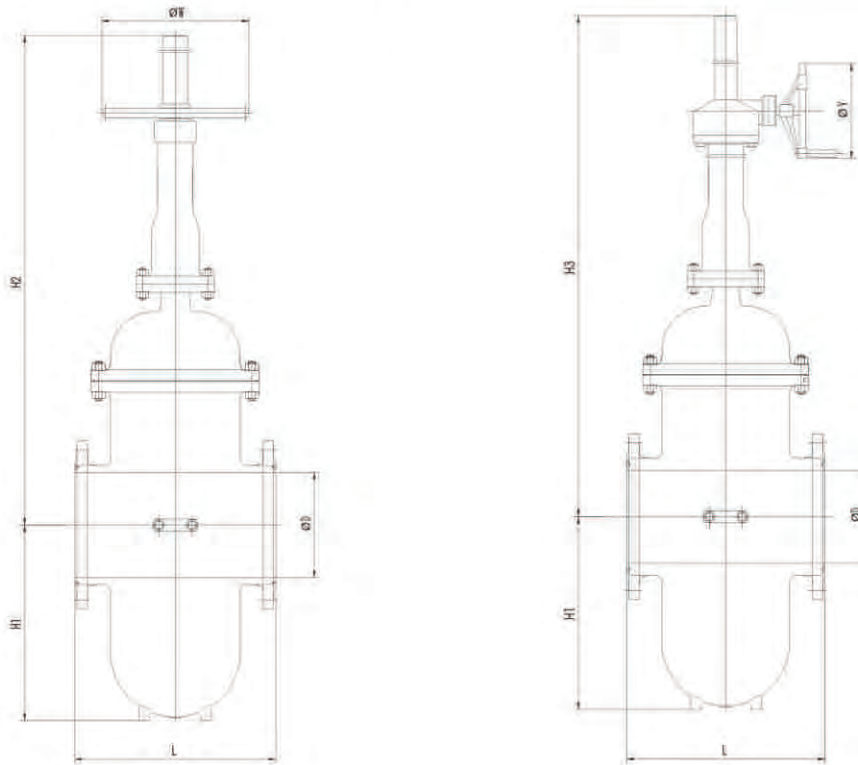


Class 600LB (in)

Size	H1	Travel	H2	H3	L			D	φ W	φ v	Weight
					BW	RF	RTJ				
2"	5.24	2.50	21.54		11.50	11.50	11.61	2.00	7.09		66
2-1/2"	7.48	3.15	25.39		12.99	12.99	13.11	2.50	9.84		90
3"	8.07	3.66	28.82		14.02	14.02	14.13	3.00	9.84		110
4"	10.04	4.76	34.09	35.35	17.01	17.01	17.13	4.00	13.78	12.01	156
6"	14.37	6.93	42.13	44.65	22.01	22.01	22.13	6.00	17.72	12.01	296
8"	16.54	8.94	46.77	52.09	25.98	25.98	26.14	8.00	19.69	12.01	640
10"	20.28	10.94	62.01	62.32	30.98	30.98	31.14	10.00	19.69	12.01	900
12"	24.72	13.43	70.08	71.34	32.99	32.99	33.11	12.00	29.92	17.72	1135
14"	26.54	14.61		73.27	35.00	35.00	35.12	13.25		17.72	1700
16"	30.51	16.69		84.29	39.02	39.02	39.13	15.25		24.02	2350
18"	33.86	18.90		95.51	42.99	42.99	43.11	17.25		24.02	2776
20"	37.40	20.87		116.34	47.01	47.01	47.24	19.25		24.02	4210
22"	43.31	22.87		107.48	50.98	50.98	51.38	21.25		24.02	5530
24"	43.82	25.91		127.28	55.00	55.00	55.39	23.25		24.02	4930
26"	88.58	27.28		130.24	57.01	57.01	57.52	25.00		31.89	6010
28"	50.00	28.74		136.81	60.98	60.98	61.50	27.00		31.89	8100
30"	56.46	36.61		145.28	65.00	65.00	65.51	29.00		31.89	7910
32"	56.30	32.80		153.15	70.00	70.00	70.63	30.75		31.89	11500
34"	59.06	34.92		158.66	75.98	75.98	76.61	32.75		31.89	13100
36"	64.65	36.77		172.80	82.01	82.01	82.64	34.50		47.24	15200
40"	67.32	40.87		172.64		94.02		38.50		31.89	18600
42"	79.13	45.47		214.84		95.98		40.25		47.24	20600
48"	80.71	48.94		210.04		110.00				31.89	28500

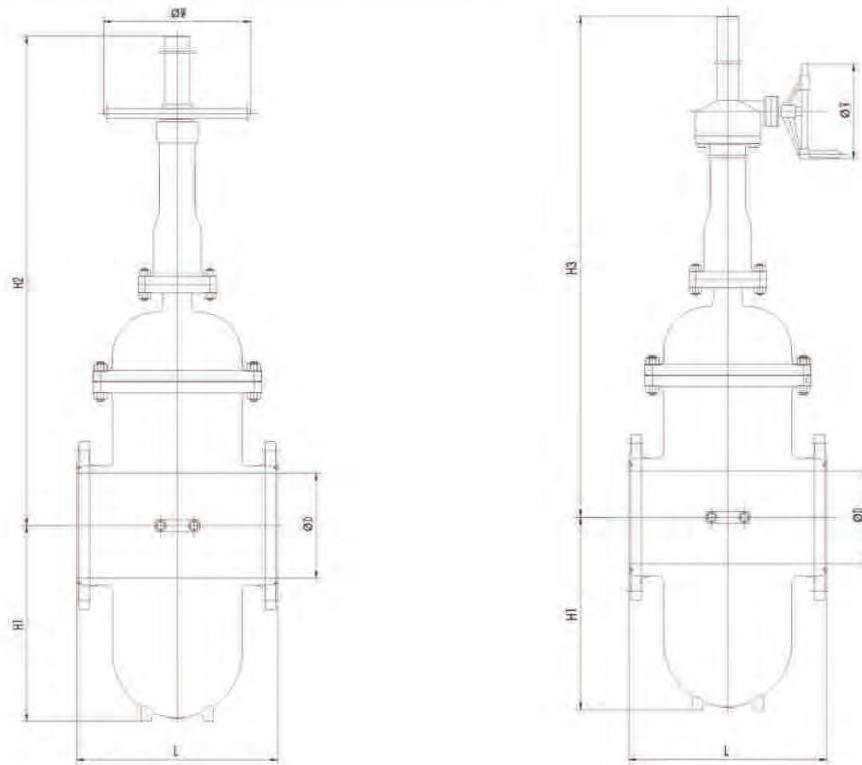
Dimensions

Series GT Through Conduit Gate Valve



Class 600LB (mm)

Size	H1	Travel	H2	H3	L			D	φ W	φ v	Weight
					BW	RF	RTJ				
50	133	65	547		292	292	295	51	180		66
65	190	80	645		330	330	333	64	250		90
80	205	93	732		356	356	359	76	250		110
100	255	121	866	898	432	432	435	102	350		156
150	365	176	1070	1134	559	559	562	152	450	305	296
200	420	227	1188	1323	660	660	664	203	500	305	640
250	515	278	1575	1583	787	787	791	254	500	305	900
300	628	341	1780	1812	838	838	841	305	760	458	1135
350	674	371		1861	889	889	892	337		458	1700
400	775	424		2141	991	991	994	387		610	2350
450	860	480		2426	1092	1092	1095	438		610	2776
500	950	530		2955	1194	1194	1200	489		610	4210
550	1100	581		2730	1295	1295	1305	540		610	5530
600	1113	658		3233	1397	1397	1407	591		610	4930
650	2250	693		3308	1448	1448	1461	635		810	6010
700	1270	730		3475	1549	1549	1562	686		810	8100
750	1434	803		3690	1651	1651	1664	737		810	7910
800	1430	833		3890	1778	1778	1794	781		810	11500
850	1500	887		4030	1930	1930	1946	832		810	13100
900	1642	934		4389	2083	2083	2099	876		1200	15200
1000	1710	1038		4385		2388		978		810	18600
1050	2010	1155		5457		2438		1022		1200	20600
1200	2050	1243		5335		2794				810	28500

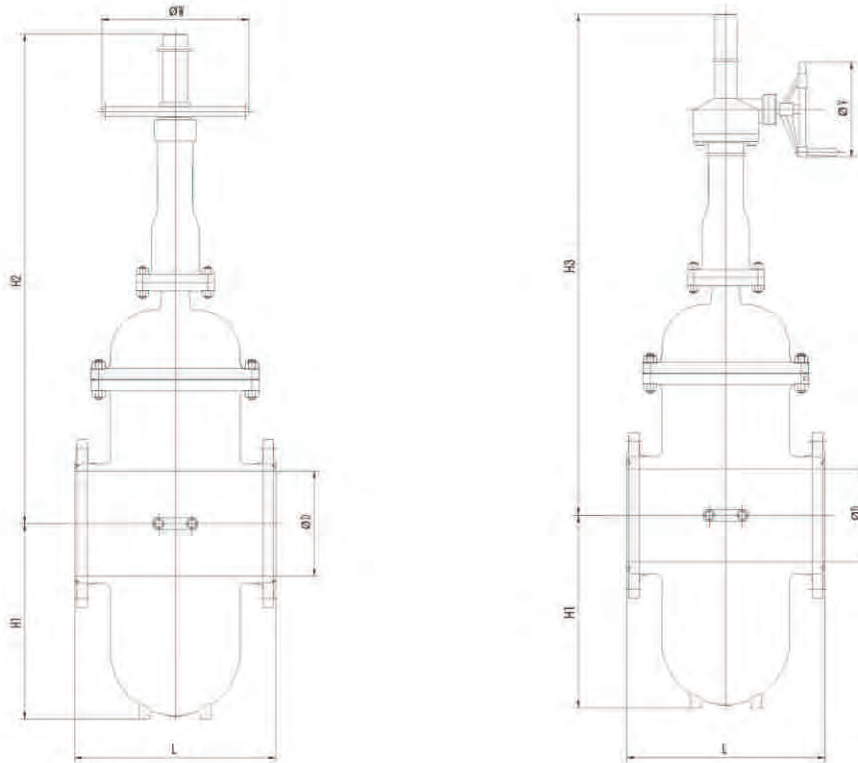


Class 900LB (in)

Size	H1	Travel	H2	H3	L			D	φ W	φ v	Weight
					BW	RF	RTJ				
2	6.14	2.76	29.33		14.49	14.49	14.61	2.00	9.84		102
2-1/2	6.77	3.23	32.09		16.50	16.50	16.61	2.50	9.84		115
3	7.48	3.66	34.88		15.00	15.00	15.12	3.00	11.81		162
4	11.26	5.00	31.89		17.99	17.99	18.11	4.00	15.75		286
6	14.57	7.01	41.85	47.68	24.02	24.02	24.13	6.00	19.69	17.72	532
8	16.73	8.94	50.20	54.13	29.02	29.02	29.13	8.00	23.62	12.01	970
10	20.28	10.87		61.02	32.99	32.99	33.11	10.00		17.72	1305
12	25.59	13.43		74.13	37.99	37.99	38.11	12.00		24.02	2000
14	30.12	14.17		82.28	40.51	40.51	40.87	12.76		24.02	2600
16	29.72	16.30		83.35	44.49	44.49	44.88	14.76		24.02	3210
18	37.40	18.50		107.09	47.99	47.99	48.50	16.73		31.89	4000
20	41.73	20.79		122.83	52.01	52.01	52.52	18.62		31.89	5120
24	46.85	24.80		150.79	60.98	60.98	61.73	22.52		31.89	9400
26	50.00	27.24		157.48				24.38		31.89	12200
28	53.15	29.13		164.17				26.25		47.24	14800
30	56.69	31.10		170.67	83.00			28.13		47.24	17600
32	60.24	33.27		178.74				30.00		47.24	20000
34	63.39	35.43		188.98				31.88		47.24	23600
36	66.93	37.09		205.31				33.75		47.24	27500

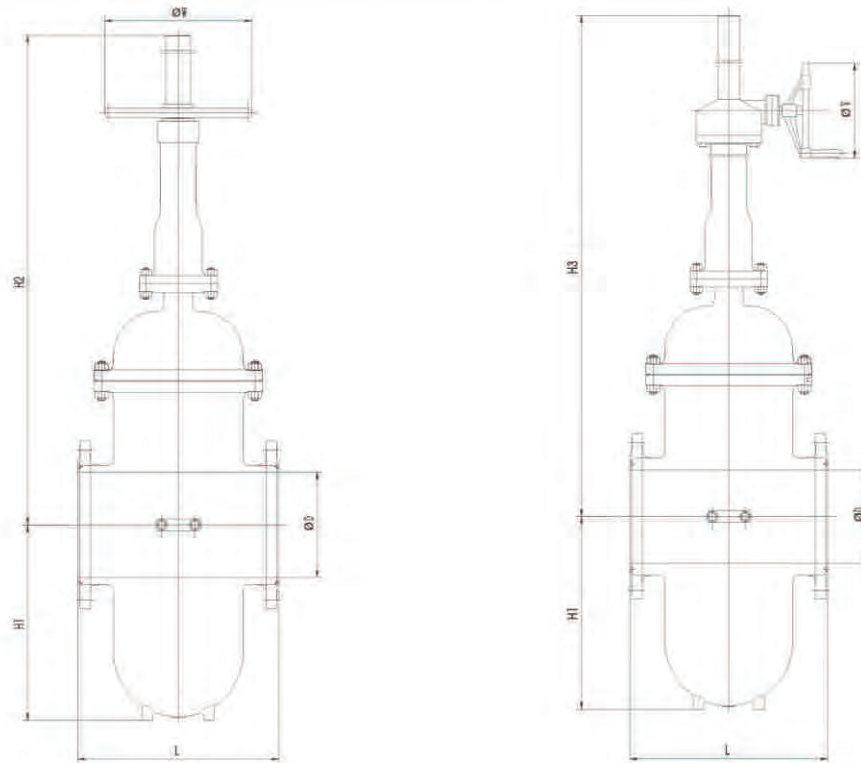
Dimensions

Series GT Through Conduit Gate Valve



Class 900LB (mm)

Size	H1	Travel	H2	H3	L			D	φ W	φ v	Weight
					BW	RF	RTJ				
50	156	70	745		368	368	371	51	250		102
65	172	82	815		419	419	422	64	250		115
80	190	93	886		381	381	384	76	300		162
100	286	127	810		457	457	460	102	400		286
150	370	178	1063	1211	610	610	613	152	500	458	532
200	425	227	1275	1375	737	737	740	203	600	305	970
250	515	276		1550	838	838	841	254		458	1305
300	650	341		1883	965	965	968	305		610	2000
350	765	360		2090	1029	1029	1038	324		610	2600
400	755	414		2117	1130	1130	1140	375		610	3210
450	950	470		2720	1219	1219	1232	425		810	4000
500	1060	528		3120	1321	1321	1334	473		810	5120
600	1190	630		3830	1549	1549	1568	572		810	9400
650	1270	692		4000				619		810	12200
700	1350	740		4170				667		1200	14800
750	1440	790		4335	2108			714		1200	17600
800	1530	845		4540				762		1200	20000
850	1610	900		4800				810		1200	23600
900	1700	942		5215				857		1200	27500

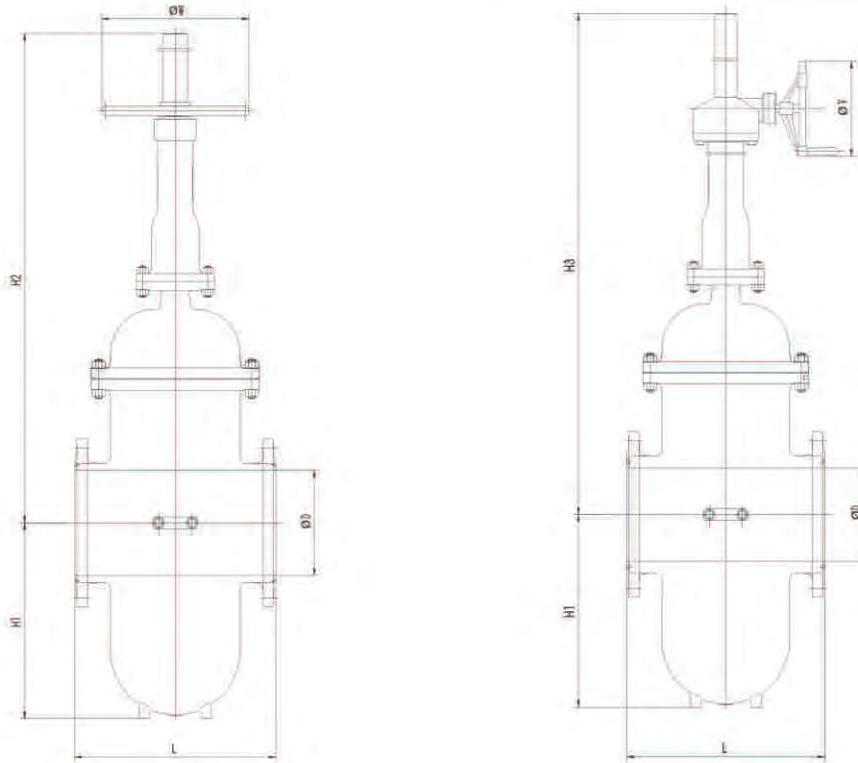


Class 150LB (in)

Size	H1	Travel	H2	H3	L			D	φ W	φ v	Weight
					BW	RF	RTJ				
2	6.30	2.99	26.77		14.49	14.49	14.61	2.00	15.75		120
2-1/2	7.09	3.39	28.82		16.50	16.50	16.61	2.50	15.75		200
3	7.95	3.86	30.91		18.50	18.50	18.62	3.00	19.69		260
4	11.26	5.20	33.07		21.50	21.50	21.61	4.00	23.62		380
6	14.96	6.93	45.67	53.94	27.76	27.76	27.99	5.75	31.50	23.62	910
8	19.09	8.94		59.84	32.76	32.76	33.11	7.64		31.50	1520
10	24.02	11.02		69.49	39.02	39.02	39.37	9.49		31.50	2280
12	27.95	13.58		71.85	44.49	44.49	45.12	11.38		31.50	3300
14	31.10	14.37		84.25	49.49	49.49	50.24	12.52		31.50	4600
16	35.04	16.54		93.70	54.49	54.49	55.39	14.25		31.50	5920
18	38.98	18.50		109.45	60.51	60.51	61.38	15.98		31.50	7500
20	42.91	20.94		132.28	65.51	65.51	66.38	17.87		31.50	10600
22	47.05	22.05		140.94				19.69		31.50	14700
24	50.00	23.62		156.30	76.50	76.50	76.50	21.50		47.24	17200
26	53.74	25.28		167.32						47.24	19800
28	56.89	27.17		180.12						47.24	32200
30	60.24	28.86		191.54						47.24	34800
32	63.98	30.71		203.35						47.24	37400
34	67.13	32.76		213.98						47.24	40000
36	70.28	34.88		224.41							42900

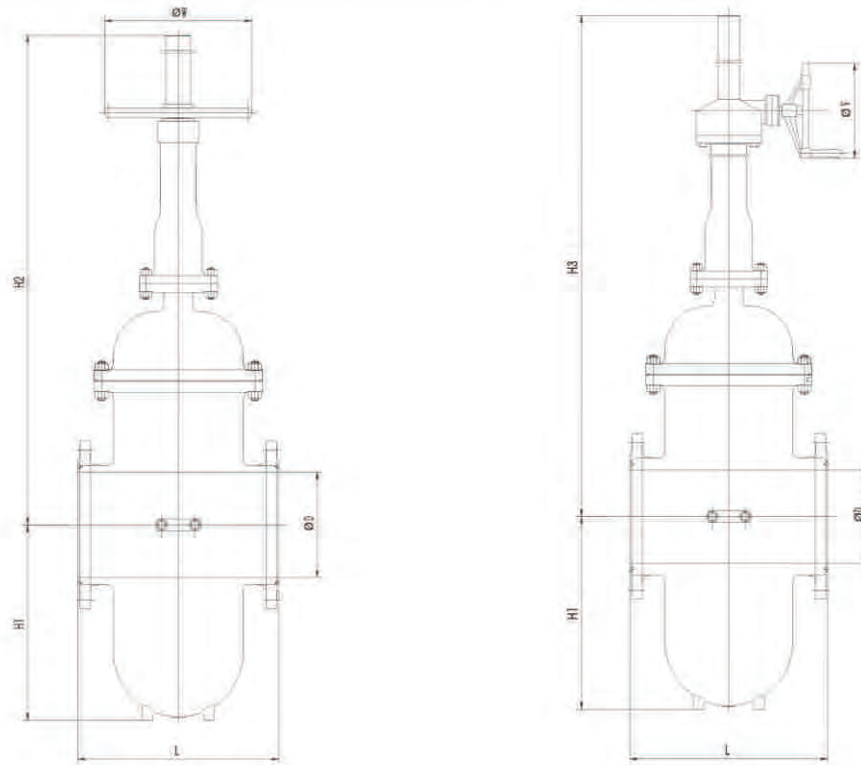
Dimensions

Series GT Through Conduit Gate Valve



Class 1500LB (mm)

Size	H1	Travel	H2	H3	L			D	φ W	φ v	Weight
					BW	RF	RTJ				
50	160	76	680		368	368	371	51	400		120
65	180	86	732		419	419	422	64	400		200
80	202	98	785		470	470	473	76	500		260
100	286	132	840		546	546	549	102	600		380
150	380	176	1160	1370	705	705	711	146	800	600	910
200	485	227		1520	832	832	841	194		800	1520
250	610	280		1765	991	991	1000	241		800	2280
300	710	345		1825	1130	1130	1146	289		800	3300
350	790	365		2140	1257	1257	1276	318		800	4600
400	890	420		2380	1384	1384	1407	362		800	5920
450	990	470		2780	1537	1537	1559	406		800	7500
500	1090	532		3360	1664	1664	1686	454		800	10600
550	1195	560		3580				500		800	14700
600	1270	600		3970	1943	1943	1972	546		1200	17200
650	1365	642		4250						1200	19800
700	1445	690		4575						1200	32200
750	1530	733		4865						1200	34800
800	1625	780		5165						1200	37400
850	1705	832		5435						1200	40000
900	1785	886		5700							42900

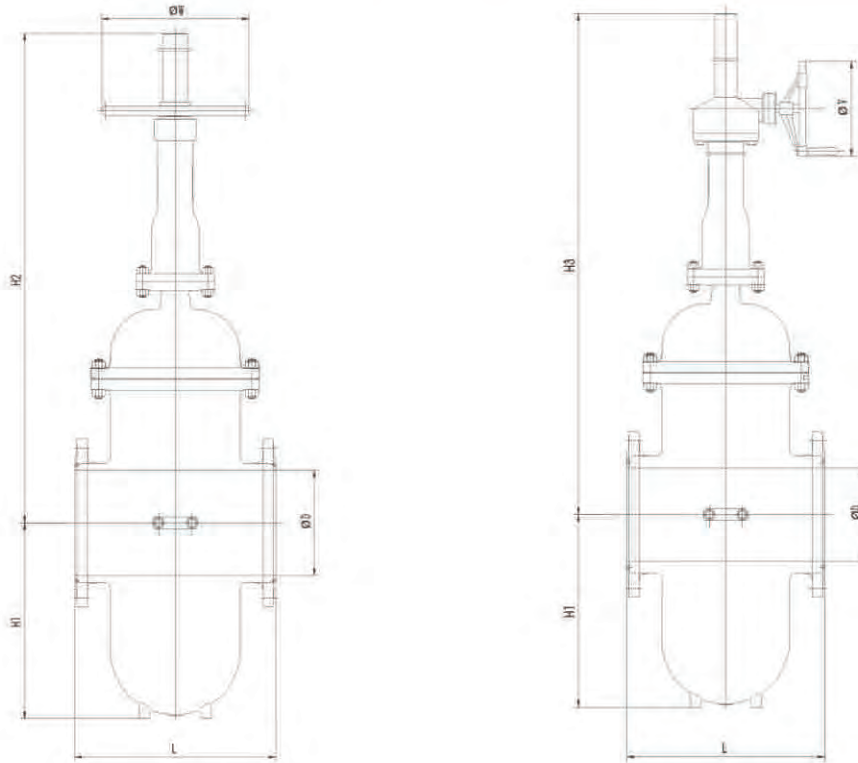


Class 300LB (in)

Size	H1	Travel	H2	H3	L			D	φ W	φ v	Weight
					BW	RF	RTJ				
2"	5.24	2.50	21.54		8.50	8.50	9.13	2.00	7.09		72
2-1/2"	7.09	2.99	23.43		9.49	9.49	10.12	2.50	9.84		90
3"	7.28	3.58		32.60	11.14	11.14	11.73	3.00		9.84	110
4"	10.31	4.92		36.42	12.01	12.01	12.64	4.00		12.01	158
6"	14.37	7.09		40.75	15.87	15.87	16.50	6.00		12.01	302
8"	17.13	9.25		50.59	16.50	16.50	17.13	8.00		12.01	645
10"	20.08	10.87		57.68	17.99	17.99	18.62	10.00		12.01	905
12"	24.61	13.35		66.34	19.76	19.76	20.39	12.00		17.72	1142
14"	25.67	14.53		72.44	30.00	30.00	30.63	13.25		17.72	1720
16"	29.33	16.57		79.92	32.99	32.99	33.62	15.25		24.02	2365
18"	32.87	18.74		89.57	35.98	35.98	36.61	17.25		24.02	2794
20"	36.42	20.87		96.46	39.02	39.02	39.76	19.25		24.02	4235
22"	41.93	23.31		106.89	42.99	42.99	43.86	21.25		24.02	4695
24"	45.28	25.55		116.14	45.00	45.00	45.87	23.25		24.02	4965

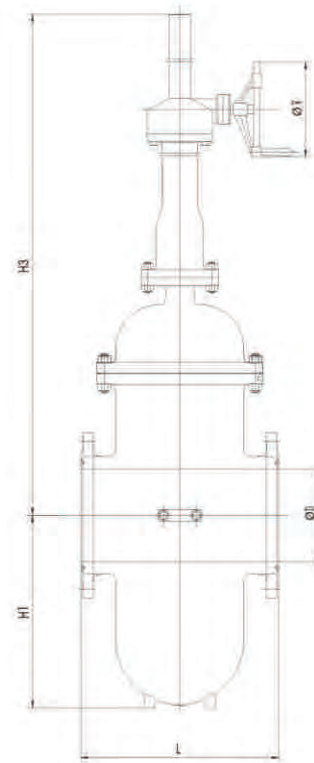
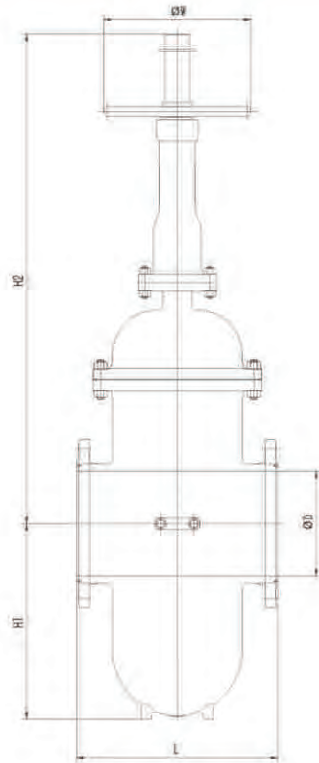
Dimensions

Series GT Through Conduit Gate Valve



Class 300LB (mm)

Size	H1	Travel	H2	H3	L			D	φ W	φ v	Weight
					BW	RF	RTJ				
50	133	65	547		216	216	232	51	180		72
65	180	76	595		241	241	257	64	250		90
80	185	91		828	283	283	298	76		250	110
100	262	125		925	305	305	321	102		305	158
150	365	180		1035	403	403	419	152		305	302
200	435	235		1285	419	419	435	203		305	645
250	510	276		1465	457	457	473	254		305	905
300	625	339		1685	502	502	518	305		458	1142
350	652	369		1840	762	762	778	337		458	1720
400	745	421		2030	838	838	854	387		610	2365
450	835	476		2275	914	914	930	438		610	2794
500	925	530		2450	991	991	1010	489		610	4235
550	1065	592		2715	1092	1092	1114	540		610	4695
600	1150	649		2950	1143	1143	1165	591		610	4965

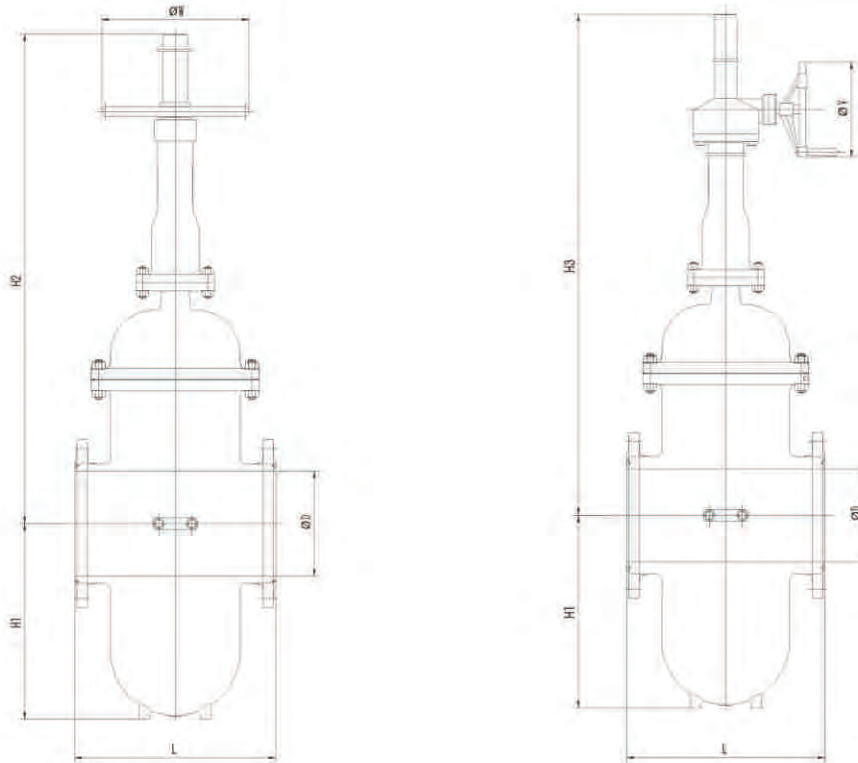


Class 600LB (in)

Size	H1	Travel	H2	H3	L			D	φ W	φ v	Weight
					BW	RF	RTJ				
2"	6.30	2.76	21.54		11.50	11.50	11.61	2.00	9.84		120
2-1/2"	7.28	3.35	25.59		12.99	12.99	13.11	2.50	9.84		175
3"	7.68	3.86			14.02	14.02	14.13	3.00		12.01	225
4"	11.10	4.92			17.01	17.01	17.13	4.00		12.01	346
6"	15.16	7.24			22.01	22.01	22.13	6.00		17.72	592
8"	18.31	9.25			25.98	25.98	26.14	8.00		24.02	1030
10"	22.05	11.30			30.98	30.98	31.14	10.00		27.95	1365
12"	26.61	13.78			32.99	32.99	33.11	12.00		24.02	2060
14"	28.82	15.04			35.00	35.00	35.12	13.25		24.02	2680
16"	32.87	17.01			39.02	39.02	39.13	15.25		31.89	3310
18"	36.42	19.29			42.99	42.99	43.11	17.25		31.89	4215
20"	39.96	21.34			47.01	47.01	47.24	19.25		31.89	5210
22"	45.87	23.31			50.98	50.98	51.38	21.25		31.89	9650
24"	47.05	26.26			55.00	55.00	55.39	23.25		31.89	12650

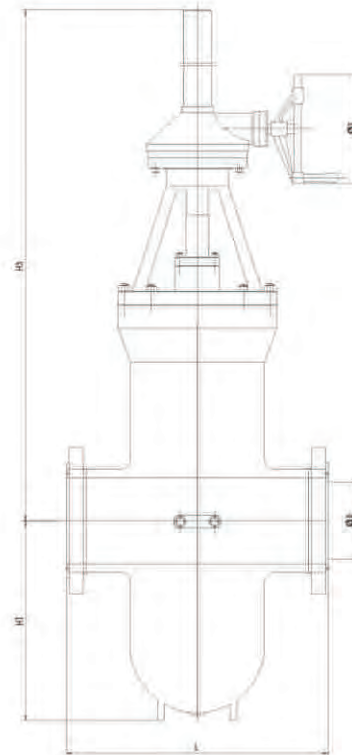
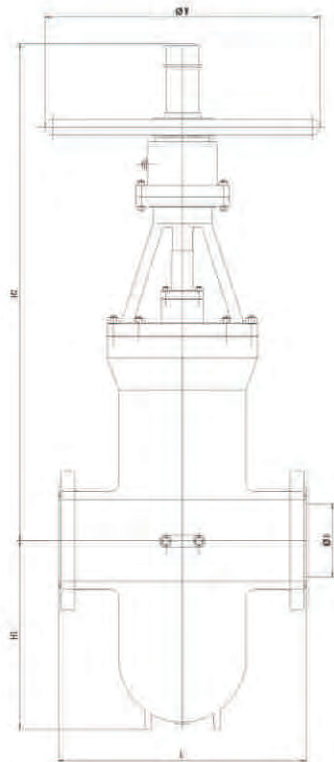
Dimensions

Series GT Through Conduit Gate Valve



Class 600LB (mm)

Size	H1	Travel	H2	H3	L			D	ϕW	ϕv	Weight
					BW	RF	RTJ				
50	160	70	547		292	292	295	51	250		120
65	185	85	650		330	330	333	64	250		175
80	195	98		845	356	356	359	76		305	225
100	282	125		1020	432	432	435	102		305	346
150	385	184		1255	559	559	562	152		458	592
200	465	235		1445	660	660	664	203		610	1030
250	560	287		1709	787	787	791	254		710	1365
300	676	350		1935	838	838	841	305		610	2060
350	732	382		1985	889	889	892	337		610	2680
400	835	432		2265	991	991	994	387		810	3310
450	925	490		2545	1092	1092	1095	438		810	4215
500	1015	542		2715	1194	1194	1200	489		810	5210
550	1165	592		2875	1295	1295	1305	540		810	9650
600	1195	667		3325	1397	1397	1407	591		810	12650

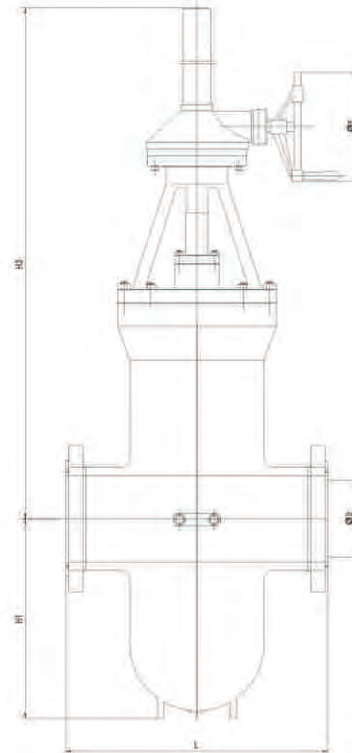
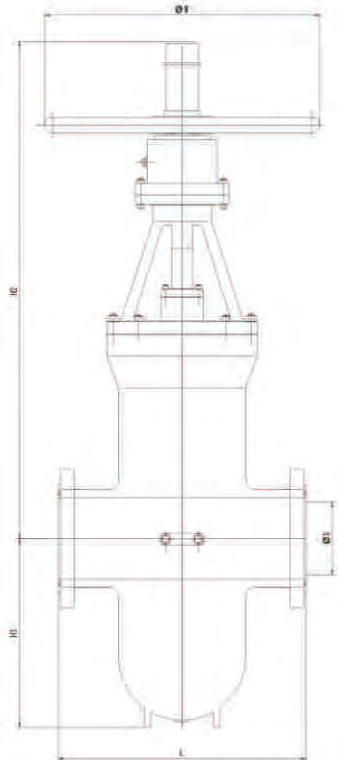


Class 900LB (in)

Size	H1	Travel	H2	H3	L			D	φ W	φ v	Weight
					BW	RF	RTJ				
2"	6.30	2.95	21.54		14.49	14.49	14.61	2.00	12.01		125
2-1/2"	7.17	3.15	26.77		16.50	16.50	16.61	2.50	12.01		185
3"	8.27	3.62		33.27	15.00	15.00	15.12	3.00		17.72	240
4"	11.26	4.72		38.19	17.99	17.99	18.11	4.00		17.72	360
6"	16.34	7.05		52.95	24.02	24.02	24.13	6.00		24.02	860
8"	19.88	8.94		63.19	29.02	29.02	29.13	8.00		31.50	1380
10"	23.23	10.71		75.00	32.99	32.99	33.11	10.00		31.50	1965
12"	27.95	12.60		84.45	37.99	37.99	38.11	12.00		39.37	3060
14"	30.24	14.76		88.39	40.51	40.51	40.87	12.76		39.37	3880
16"	33.27	15.98		96.85	44.49	44.49	44.88	14.76		47.24	4610
18"	37.20	18.31		107.48	47.99	47.99	48.50	16.73		47.24	6615
20"	40.75	20.28		114.17	52.01	52.01	52.52	18.62		47.24	8215

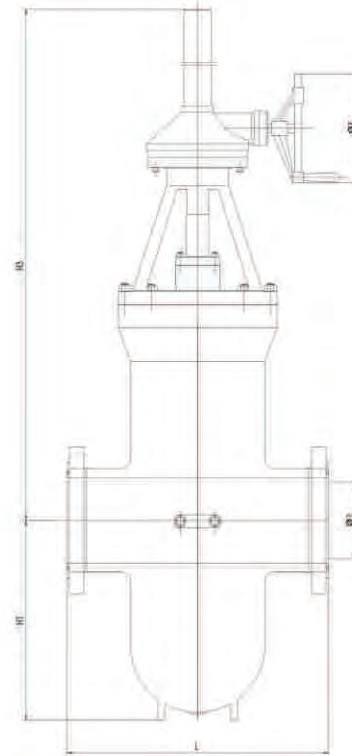
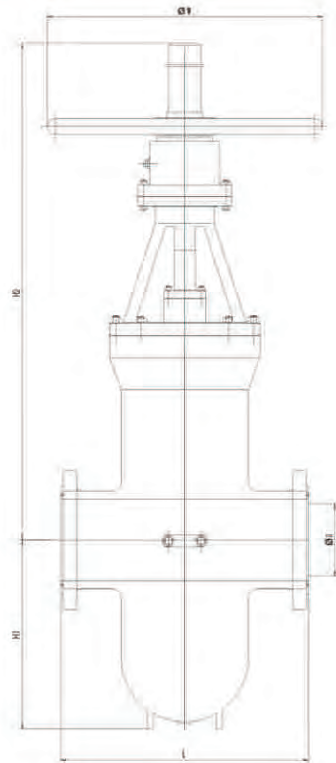
Dimensions

Series GT Through Conduit Gate Valve



Class 900LB (mm)

Size	H1	Travel	H2	H3	L			D	φ W	φ v	Weight
					BW	RF	RTJ				
50	160	75	481		368	368	371	51	305		125
65	182	80	680		419	419	422	64	305		185
80	210	92		845	381	381	384	76		458	240
100	286	120		970	457	457	460	102		458	360
150	415	179		1345	610	610	613	152		610	860
200	505	227		1605	737	737	740	203		800	1380
250	590	272		1905	838	838	841	254		800	1965
300	710	320		2145	965	965	968	305		1000	3060
350	768	375		2245	1029	1029	1038	324		1000	3880
400	845	406		2460	1130	1130	1140	375		1200	4610
450	945	465		2730	1219	1219	1232	425		1200	6615
500	1035	515		2900	1321	1321	1334	473		1200	8215

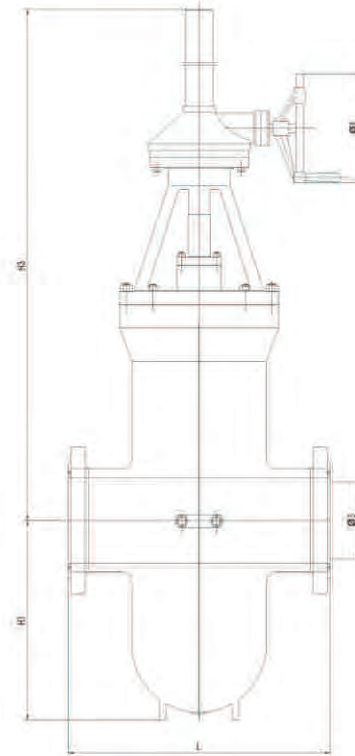
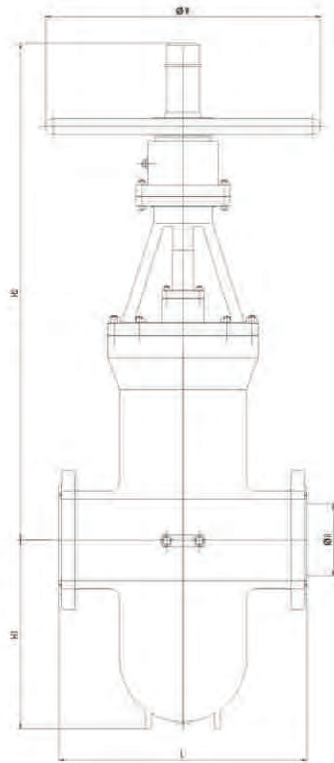


Class 1500LB (in)

Size	H1	Travel	H2	H3	L			D	Ø W	Ø v	Weight
					BW	RF	RTJ				
2"	6.30	2.95	21.54		14.49	14.49	14.61	2.00	12.01		130
2-1/2"	7.09	3.15	28.74		16.50	16.50	16.61	2.50	12.01		200
3"	9.06	3.62		33.27	18.50	18.50	18.62	3.00		17.72	260
4"	12.20	4.72		38.19	21.50	21.50	21.61	4.00		24.02	370
6"	17.13	7.05		56.89	27.76	27.76	27.99	5.75		27.95	1160
8"	20.87	8.94		71.06	32.76	32.76	33.11	7.64		31.50	1730
10"	24.41	10.71		80.51	39.02	39.02	39.37	9.49		39.37	2575
12"	29.53	12.60		92.32	44.49	44.49	45.12	11.38		47.24	4060
14"	31.42	14.76		100.20	49.49	49.49	50.24	12.52		47.24	5030
16"	33.46	15.98		108.66	54.49	54.49	55.39	14.25		47.24	5990
18"	36.42	18.31		115.35	60.51	60.51	61.38	15.98		47.24	8600
20"	39.37	20.28		120.08	65.51	65.51	66.38	17.87		47.24	11220

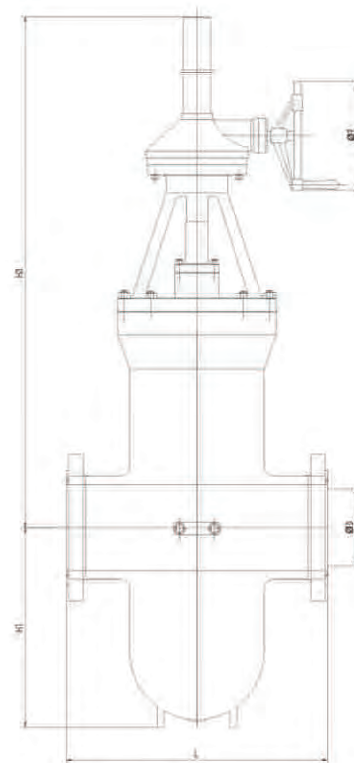
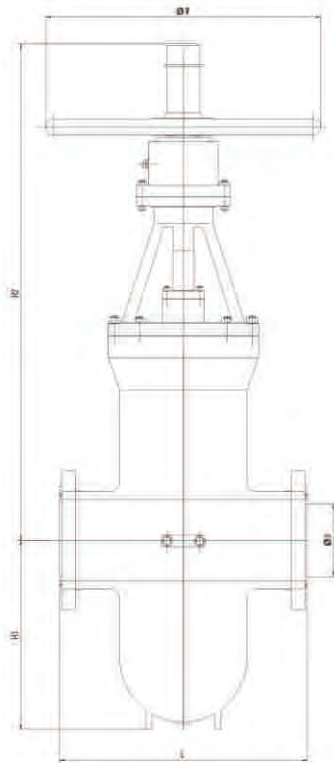
Dimensions

Series GT Through Conduit Gate Valve



Class 1500LB (mm)

Size	H1	Travel	H2	H3	L			D	φ W	φ v	Weight
					BW	RF	RTJ				
50	160	75	481		368	368	371	51	305		130
65	182	80	680		419	419	422	64	305		200
80	210	92		845	381	381	384	76		458	260
100	286	120		970	457	457	460	102		458	370
150	415	179		1345	610	610	613	152		610	1160
200	505	227		1605	737	737	740	203		800	1730
250	590	272		1905	838	838	841	254		800	2575
300	710	320		2145	965	965	968	305		1000	4060
350	768	375		2245	1029	1029	1038	324		1000	5030
400	845	406		2460	1130	1130	1140	375		1200	5990
450	945	465		2730	1219	1219	1232	425		1200	8600
500	1035	515		2900	1321	1321	1334	473		1200	11220

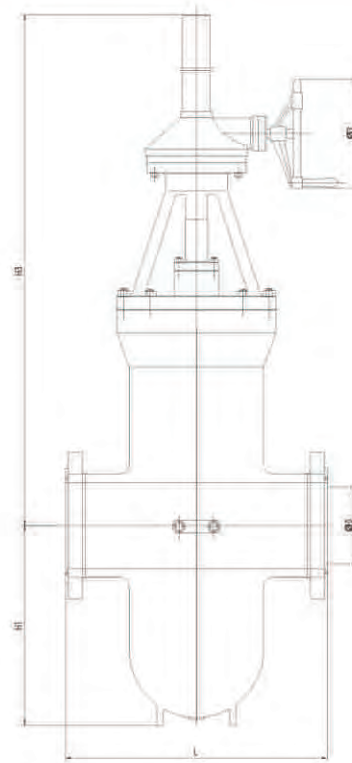
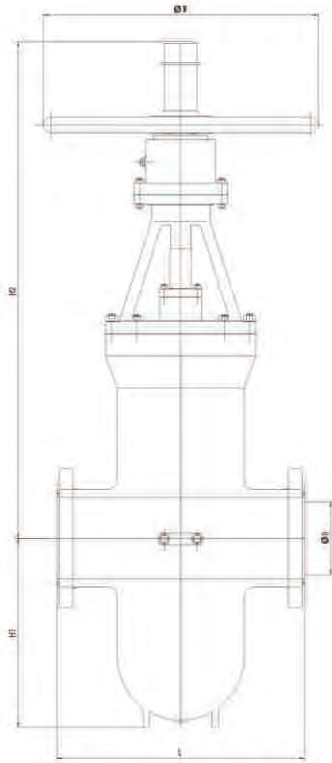


Class 2500LB (in)

Size	H1	Travel	H2	H3	L			D	ϕW	ϕv	Weight
					BW	RF	RTJ				
2"	6.69	3.07	21.54		17.76	17.76	17.87	1.73	12.01		150
2-1/2"	7.28	3.23	29.53		20.00	20.00	20.24	2.13	12.01		260
3"	9.25	3.74		33.86	22.76	22.76	22.99	2.52		24.02	365
4"	13.58	4.92		40.16	26.50	26.50	26.89	3.50		31.50	1120
6"	18.90	7.48		62.01	35.98	35.98	36.50	5.24		31.50	1785
8"	21.26	9.65		78.15	40.24	40.24	40.87	7.13		39.37	2615
10"	25.59	11.02		84.45	50.00	50.00	50.87	8.86		47.24	4045
12"	30.91	12.80		96.46	55.98	55.98	56.89	10.51		47.24	5025

Dimensions

Series GT Through Conduit Gate Valve



Class 2500LB (mm)

Size	H1	Travel	H2	H3	L			D	φ W	φ v	Weight
					BW	RF	RTJ				
50	170	78	481		451	451	454	44	305		150
65	185	82	750		508	508	514	54	305		260
80	235	95		860	578	578	584	64		610	365
100	345	125		1020	673	673	683	89		800	1120
150	480	190		1575	914	914	927	133		800	1785
200	540	245		1985	1022	1022	1038	181		1000	2615
250	650	280		2145	1270	1270	1292	225		1200	4045
300	785	325		2450	1422	1422	1445	267		1200	5025