

NDV DIAPHRAGM VALVE



NIPPON DAIYA VALVE CO., LTD.

CONTENTS

	INTRODUCTION OF PRODUCTS	4
	OVERVIEW OF DIAPHRAGM VALVES	6
	LIST OF DIAPHRAGM VALVES	8

1

	MANUALLY OPERATED DIAPHRAGM VALVES	9
	1-1. Weir Type Diaphragm Valve: Type 400	
	①Common Specifications: Main body material ②Common specifications: Diaphragm material	10
	③Actuator specifications ④Optional ⑤Principal dimensions	
	1-2. Straight Type Diaphragm Valve: Type 500	
	①Common specifications: Main body material ②Common specifications: Diaphragm material	15
	③ Principal dimensions	
	1-3. Reference Material	
	①Manually Operated Diaphragm Valve: Stroke and Cv Value	16
	②Maximum Working Pressure and Inspection Pressure ③Material Selection	
	④Standard Exterior Paint Color	

2

	PNEUMATICALLY OPERATED ON-OFF DIAPHRAGM VALVES	17
	2-1. Pneumatically Operated ON-OFF Diaphragm Valve Actuator	18
	①Features of actuator ②Actuator specifications	
	2-2. Weir Type Diaphragm Valve : Type PO(PC, PN)/HO(HC, HN) 1400N	20
	①Actuator selection table ②Principal dimensions	
	2-3. Straight Type Diaphragm Valve: Type PO(PN)/HO(HN) 1500N	24
	①Actuator selection table ②Principal dimensions	
	2-4. Reference Material	26
	①Air chamber capacity and air consumption ②Accessories list	

3

	PNEUMATICALLY OPERATED TYPE FLOW CONTROL DIAPHRAGM VALVE	27
	3-1. Rolling Diaphragm Type Control Valve: Type BO(BC) 3400	28
	①Features of actuator ②Actuator specifications ③Actuator selection table ④Principal dimensions	
	3-2. Piston Type Control Valve: Type HN3400N	31
	①Features of actuator ②Actuator specifications ③Actuator selection table ④Principal dimensions	
	3-3. Reference Material	32
	①How to select valve size ②Valve stroke and valve Cv value ③Specific flow rate characteristics	

4

	ELECTRICALLY OPERATED DIAPHRAGM VALVE	35
	4-1. Standard Specifications	36
	①MS type actuator: Seibu Electric & Machinery Model ②NR type actuator: Nihon KOSO Model	
	4-2. Weir Type Diaphragm Valve: Type MS(NR) 4400	38
	①Actuator selection table ②Principal dimensions	
	4-3. Straight Type Diaphragm Valve: Type MS(NR) 4500	40
	①Actuator selection table ②Principal dimensions	

5

	INTRODUCTION OF RELATED PRODUCTS	43
	Special body, rubber-lined check valve, etc.	

6

	REFERENCE MATERIALS	45
	①Flange dimensions: Basic dimensions and standard face-to-face dimensions for JIS 10K flange	
	②Special specifications: Nameplate, Painting, Photography and Witness inspection	
	③How to read the product code number	
	④Material selection table	
	⑤Actuator selection table	

7

	SAFETY INSTRUCTIONS	51
--	----------------------------------	-----------

Straight Type Diaphragm Valve (Basic type: Type 500)

Manually Operated Diaphragm Valve: Type 500



Nominal Size (DN): 15 - 300

Pneumatically Operated ON-OFF Diaphragm Valve: Type PO(PN) 1500N



Nominal Size (DN): 15 - 100

PO...Reverse Acting(Air to Open)

PN...Double Acting

Pneumatically Operated ON-OFF Diaphragm Valve: Type HOT (HN) 1500N



Nominal Size (DN): 125 - 300

HOT...Reverse Acting(Air to Open)

HN...Double Acting

● Large and high output type

Electrically Operated Diaphragm Valve (1): Type MS4500



Nominal Size (DN): 25 - 300

Electrically Operated Diaphragm Valve (2): Type NR4500



Nominal Size (DN): 15 - 50

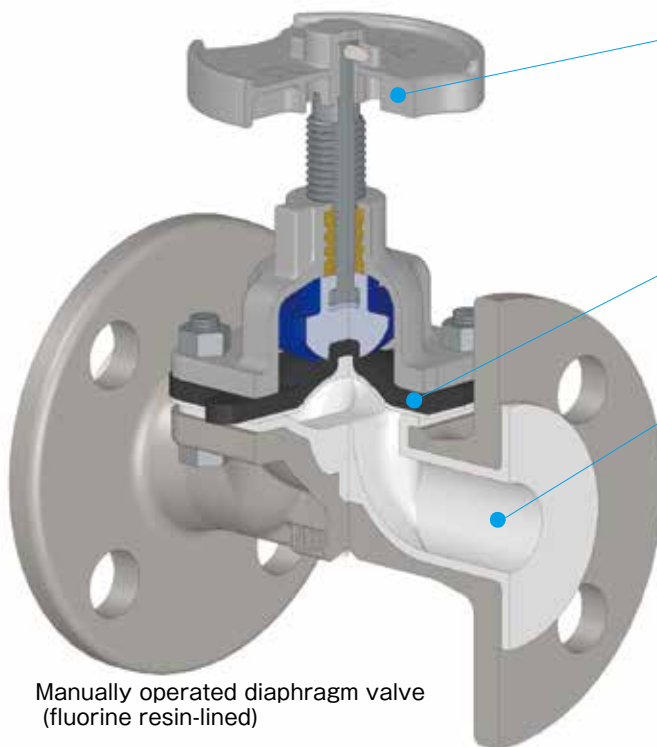
For the product specifications and details, contact our Sales Dept. or local representative.

OVERVIEW OF DIAPHRAGM VALVES

① Basic Structure and Mechanism of Diaphragm Valves

- Diaphragm valve generally refers to a valve having a diaphragm of rubber or other flexible material that opens or closes the fluid passage.
- The following diagram shows the basic structure of diaphragm valve that consists of three units, actuator, diaphragm and the body. The valve controls the liquid flow by pressing or depressing the diaphragm to or from the sealing surface on the inside of the body.
- Diaphragm valves are roughly categorized to two types; Weir type (Type 400) and Straight type (Type 500), but both types share the same basic structure.

Basic unit structure



Manually operated diaphragm valve
(fluorine resin-lined)

Actuator

Mainly categorized into the manually operated type, pneumatically operated type, flow control type(*) and electrically operated type.

Diaphragm

Rubber, fluorine resin(*) and other material are available according to application(**).

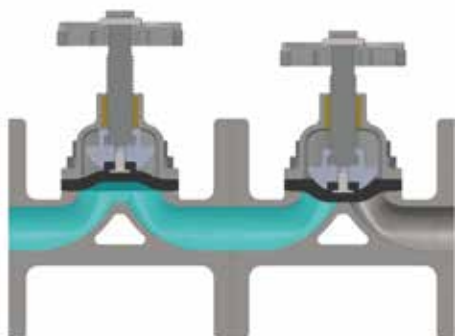
Body

Metal with or without lining is available in rich selection for a body. Connection method available includes welded type and screw type in addition to the flange type(**).

(*) For weir type diaphragm valve only.

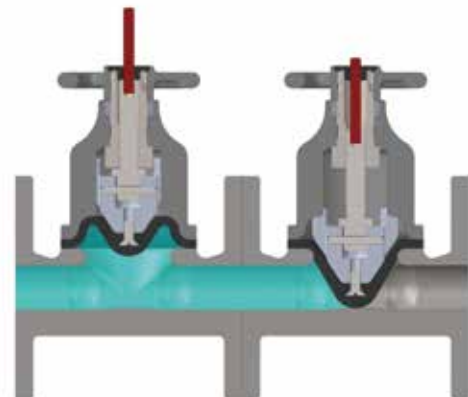
(**) For details, see p.10 and p.15

Weir type diaphragm valve: Type 400



- Basic structure of diaphragm valve having a weir at the fluid passage. The diaphragm and weir of the body are tightly closed for airtightness to achieve high valve seat sealing performance.
- Rich selection is available for the main body and diaphragm material to apply to a wide scope of fluid.
- Used for : Chemical, environment and water treatment, iron and steel, shipbuilding, medical, food, semiconductor, power generation, etc.

Straight type diaphragm valve: Type 500

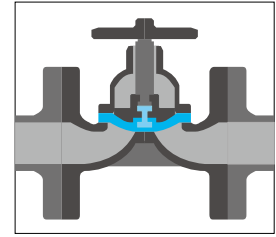


- The fluid passage is straight, which minimizes pressure drop and/or fluid accumulation.
- Applicable to viscose fluid, cellulose fluid, slurry, sledge and other fluids containing suspended solids.
- Used for : Water purifying plants, terminal treatment plant, etc.

② Features of Diaphragm Valves

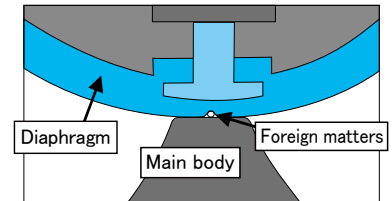
① Superb airtightness

- Actuator is isolated by the diaphragm. This prevents fluid leakage to outside or contamination of fluid by outside air.



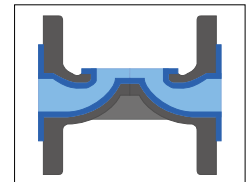
② Zero leak from valve seat

- Controlled by flexible diaphragm, no fluid leaks from the valve seat.
- In the case of rubber diaphragm, complete closing is available, even if some foreign matters are bitten into diaphragm due to its flexibility.



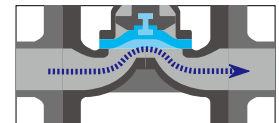
③ Superb corrosion and chemical resistance

- Simple body shape is suitable for the lining process.
- Combination of rich selection of diaphragm material and various lining bodies such as rubber and fluorine resin allows manufacture of valves applicable to a wide span of fluid specifications, which is more efficient costwise than special alloy combination.



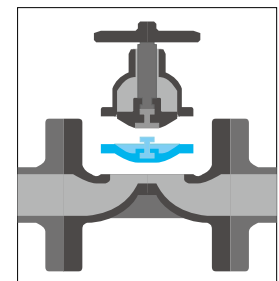
④ Good self-purifying performance

- Streamlined fluid passage without pockets provides self-purifying performance by minimizing fluid retention.



⑤ Superb maintainability

- Simple design of three parts. Actuator, Diaphragm and the Body makes it easy to disassemble/assemble the valve.
- Top entry structure adopted enables to change diaphragm by simply removing the nuts and bolts that joint the main body and the bonnet without disconnecting the valve from the piping.
- Each unit is interchangeable, enabling a system change with ease from manual to automatic operation.



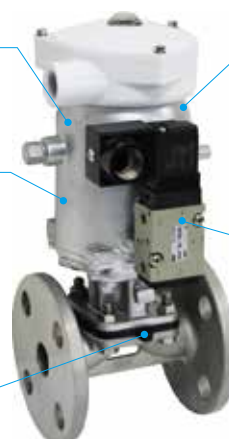
⑥ Environment-friendly types

- Simple 3-unit construction of the Actuator, Diaphragm and the Body requires less number of parts than other valve types, saving consumable parts.

Environment-friendly type paint and lubricant free from hazardous heavy metal are used. (RoHS compliance)

Actuator for the pneumatically operated diaphragm valve is improved to have much higher durability, extending the replacement cycle for expendable parts.

Chloroprene diaphragm is lead-free.



Improved actuator for the pneumatically operated diaphragm valve has reduced air consumption. (Approx. 20% in average from the conventional products of ours.)

Solenoid valve to the pneumatically operated actuator can be installed directly without pneumatic piping, thus reducing material usage.

Type POM1400N

● LIST OF DIAPHRAGM VALVES

Specifications		Weir type diaphragm valve (Type 400)												Straight type diaphragm valve (Type 500)						
		Manually operated type				Pneumatically operated type ON-OFF diaphragm valve				Pneumatically operated flow control diaphragm valve				Manually operated type			Pneumatically operated ON-OFF diaphragm valve			Electrically operated type
		①Type PO(PC, PN) 1400N		②Type HO(HO, HN) 1400N		①[Rolling diaphragm type]		②[Cylinder type]		①Type PO(PN) 1500N		②Type HO(HN) 1500N		Manually operated type		Reverse Acting		Double Acting		
Reverse Acting	Direct Acting	Double Acting	Type	Reverse Acting	Direct Acting	Double Acting	Type	Reverse Acting	Direct Acting	Double Acting	Type	Reverse Acting	Direct Acting	Double Acting	Type	Reverse Acting	Double Acting			
Material (Base material)	Valve type	Material code	Type	Type	Type	Type	Type	Type	Type	Type	Type	Type	Type	Type	Type	Type	Type	Type		
Gray cast iron	FC200	O1	15-300	PC1400N	PN1400N	HO1400N	HN1400N	BO3400	BC3400	HN3400N	Type 4400	Type 500	PO1500N	PN1500N	HOT1500N	HN1500N	15-300	125-300	15-300	
Ductile cast iron	FOD-S	O4	15-300	15-150		100-250	150	15-150	15-150	150-300	15-300	15-300	15-100				15-300	125-300	15-300	
Stainless steel	SCS13	07(2)/07	15-300	15-150		100-250	150	15-150	15-150	150-300	15-300	15-300	15-100				15-300	125-300	15-300	
	SCS14	12(2)/12	15-300	15-150		100-250	150	15-150	15-150	150-300	15-300	15-300	15-100				15-300	125-300	15-300	
Dissolved zinc plated	SCS16	13(2)/13	15-300	15-150		100-250	150	15-150	15-150	150-300	15-300	15-300	15-100				15-300	125-300	15-300	
	HDZ55(FC200)	71	15-300	15-150		100-200	150	15-150	15-150	150-300	15-300	15-300	15-100				15-300	125-300	15-300	
Hard natural rubber lined	(FC200)	30	15-300	15-150		100-250	150	15-150	15-150	150-300	15-300	15-300	15-100				15-300	125-300	15-300	
Soft natural rubber lined	(FC200)	33	15-300	15-150		100-250	150	15-150	15-150	150-300	15-300	15-300	15-100				15-300	125-300	15-300	
Chloroprene rubber lined	(FC200)	35	15-300	15-150		100-250	150	15-150	15-150	150-300	15-300	15-300	15-100				15-300	125-300	15-300	
Butyl rubber lined	(FC200)	36	15-300	1-150		100-250	150	15-150	15-150	150-300	15-300	15-300	15-100				15-300	125-300	15-300	
Polyethylene lined	(FC200)	50	20-200	20-150		100-200	150	20-150	20-150	150-200	20-200	15-300	15-100				15-300	125-300	15-300	
	(FOD-S)	59(M)	15-250	15-150		100-250	150	15-150	15-150	150-250	15-250	15-300	15-100				15-300	125-300	15-300	
PFA lined	(SCS13)	59(2S)/59(S)	15-80	15-80		-	-	15-80	15-80	150-250	15-250	15-300	15-100				15-300	125-300	15-300	
ETFE lined	(FOD-S)	60	15-100	15-100		100	-	15-100	15-100	150-200	15-200	15-300	15-100				15-300	125-300	15-300	
Glass lined	(FOD-S)	40(O4)	15-200	15-150		125-200	150	15-150	15-150	150-200	15-200	15-300	15-100				15-300	125-300	15-300	
Ceramic lined	(FOD-S)	80(O4)	15-80	15-80		-	-	15-80	15-80	150-200	15-200	15-300	15-100				15-300	125-300	15-300	
Natural rubber	NR+BR	NR	15-300	15-150		100-250	150	15-150	15-150	150-300	15-300	15-300	15-100				15-300	125-300	15-300	
Chloroprene rubber	CR	CR	15-300	15-150		100-250	150	15-150	15-150	150-300	15-300	15-300	15-100				15-300	125-300	15-300	
Butyl rubber	IIR	BG	15-300	15-150		100-250	150	15-150	15-150	150-300	15-300	15-300	15-100				15-300	125-300	15-300	
Nitrile rubber	NBR	AB	15-300	15-150		100-250	150	15-150	15-150	150-300	15-300	15-300	15-100				15-300	125-300	15-300	
EPDM	EPDM	EP	15-300	15-150		100-250	150	15-150	15-150	150-300	15-300	15-300	15-100				15-300	125-300	15-300	
NEW PTFE/EPDM	NEW PTFE/EPDM	TX/CE	15-100	15-100		100	-	15-100	15-100	-	15-100	15-300	-				15-300	125-300	15-300	
NEW PTFE/EPDM+α	NEW PTFE/EPDM+α	TX/CX	15-100	15-100		100	-	15-100	15-100	-	15-100	15-300	-				15-300	125-300	15-300	
PTFE/EPDM	PTFE/EPDM	TF/CE	125-250	125-150		125-250	150	125-250	125-150	150-250	125-250	15-300	125-250				15-300	125-300	15-300	
PTFE/EPDM+α	PTFE/EPDM+α	TF/CX	125-200	125-150		125-250	150	125-250	125-150	150-200	125-200	15-300	125-250				15-300	125-300	15-300	

Main body material and range of applicable nominal size (DN)

Diaphragm material and range of applicable nominal size (DN)

· This table outlines the standard manufacturing range of the flanged type body.
· For other material and/or nominal size, contact our Sales Dept. or local representative.

1

MANUALLY OPERATED DIAPHRAGM VALVE

1-1. Weir type Diaphragm Valve: Type 400

- ① Common specifications: Body material
- ② Common specifications: Diaphragm material
- ③ Actuator specification
- ④ Optional
- ⑤ Principal dimension list

1-2. Straight type Diaphragm Valve: Type 500

- ① Common specifications: Body material
- ② Common specifications: Diaphragm material
- ③ Principal dimension list

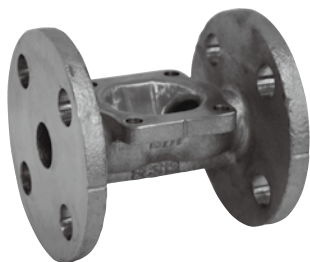
1-3. Reference materials

- ① Manually operated diaphragm valve: Stroke and Cv Value
- ② Maximum working pressure and inspection pressure
- ③ Selection of material
- ④ Standard exterior paint color

2. Straight Type Diaphragm Valve: Type 500

① Common specifications: Body material

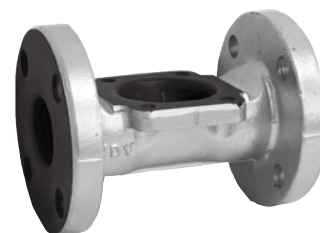
● Metal material (without lining)



Name	Main material	Material code	Flange type, Type 500
			Nominal Size(DN)
Gray cast iron	FC200	01	15-300
Ductile cast iron	FCD-S	04	15-300
Stainless steel	SCS13	07	15-300
	SCS14	12	15-300
	SCS16	13	15-300
Dissolved zinc plated	HDZ55(FC200/FCD-S)	71	15-300

● Rubber lining

Name	Base material	Material code	Flange type, Type 500
			Nominal Size (DN)
Hard natural rubber lined	FC200/FCD-S	30/30(04)	15-300
Soft natural rubber lined	FC200/FCD-S	33/33(04)	15-300
Chloroprene rubber lined	FC200/FCD-S	35/35(04)	15-300
Butyl rubber lined	FC200/FCD-S	36/36(04)	15-300



② Common specifications: Diaphragm material

● Rubber diaphragm

Name	Main material	Material code	Nominal Size(DN)	Applicable temperature
Natural rubber	NR+BR	NR	15-300	-20 to 70°C
Chloroprene rubber	CR	CR	15-300	0 to 70°C
Butyl rubber	IIR	BG	15-300	-10 to 70°C
Nitrile rubber	NBR	AB	15-300	5 to 70°C
E P D M	EPDM	EP	15-300	-20 to 90°C



DN100 -

- The applicable temperature differs by the body material, fluid specifications (composition and pressure), opening-closing frequency and nominal size. Take note that vacuum specification is not applicable to the straight type diaphragm valve because of the characteristics of the diaphragm and the shape of the body.
- For any material, nominal size and connection standards required other than listed here, please contact our Sales Dept. or local representative.

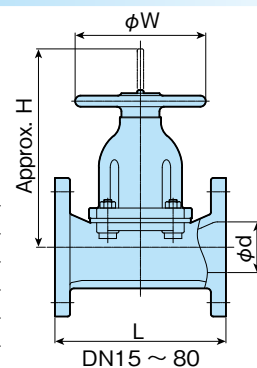
For the detail of material selection, see the material selection list on p.48.

③ Principal dimensions

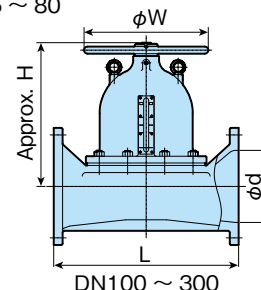
● Flange type: Type 500

Nominal size (DN)	Diameter d		Face-to-face length L		Handwheel diameter W	Height H, approx	Lining rubber thickness T	Mass approx. (kg)
	Other than rubber-lined	Rubber-lined	Other than rubber-lined	Rubber-lined				
15	13	15	102	107	80	105	3	2.6
20		19	118	123	80	105	3	3.0
25		25	127	132	80	155	3	4.8
40		38	159	165	80	155	3	5.7
50		51	191	197	140	210	3	7.8
65		64	216	222	165	250	3	14.0
80		76	254	260	197	295	3	19.0
100		102	305	313	250	270	4	23.5
125		127	356	364	300	310	4	38.5
150		152	406	414	300	380	4	64.0
200		203	521	529	350	415	4	105.0
250		254	635	645	500	570	5	166.0
300		305	749	759	600	630	5	330.0

Unit: mm



DN15 ~ 80



DN100 ~ 300

- Remarks : 1. The mass is for the body of stainless steel.
2. Height H represents the dimension in fully open valve state.

① Manually Operated Diaphragm Valve: Stroke and Cv Value

Valve type Nominal Size DN	Weir type (Type 400)							Straight type (Type 500)		
	Main body Diaphragm Stroke (mm)	Without lining		Rubber-lined	Glass-lined	PFA-lined	PFA-lined	Main body Diaphragm Stroke (mm)	Without lining	Rubber-lined
		Rubber	PTFE	Rubber	PTFE	59(M)/59(S) PTFE	59(2S)/60 PTFE		Rubber	Rubber
15	6	4		4.2	4.2	2.3	3	12	8.5	—
20	10	11	10.5	8.7	11	7.8	7	12	8.5	—
25	12	23.5	17	15	22	10		28	37	30
40	20	55	49	33	58	27	30	28	74	66
50	28	83	76	61	99	42	57	40	124	104
65	34	115	95	97	123	64	71	52	232	190
80	40	172	176	166	229	112	111	62	330	264
100	52	303	306	194	291	210	161	68	588	480
125	68	355		310	405	230	—	80	924	720
150	80	530		440	585	330	—	110	1680	1260
200	120	1200		1000	1320	830	—	125	2040	1740
250	140	1600		1450	—	1170	—	180	3180	2700
300	164	2580	—	2090	—	—	—	190	6060	4880

* The Cv values of Material code "59(2S)" with DN65 or bigger are same as "59(M)/59(S)".

② Maximum Working Pressure and Inspection Pressure

- The maximum working pressure is determined by the combination of diaphragm (rubber/PTFE) and the main body material.
(The following table outlines the values for fluids of ordinary temperature. The max. working pressure is reduced as the fluid composition changes or the fluid temperature rises.)
- Only weir type can be used under the vacuum environment with condition, please inquire separately.
- Water pressure in (Parentheses) represent inspection pressure. In case inspection pressure is over 0.6MPa, inspection medium is N₂ and in case the inspection pressure is 0.6MPa or less, inspection medium is Air.

Unit: Mpa

Valve type Nominal Size DN	Weir type (Type 400)				Straight type (Type 500)				
	Diaphragm and body material combination								
	Rubber diaphragm		PTFE diaphragm		Rubber diaphragm				
	Cast iron Stainless steel casting Rubber-lined Resin-lined	Glass-lined Ceramic-lined	Cast iron Stainless steel casting Resin-lined	Rubber-lined Glass-lined Ceramic-lined	Cast iron Stainless steel casting Rubber-lined				
15	1.4(1.6)	1.0(1.2)	1.0(1.2)	1.0(1.2)	0.7(0.85)				
20									
25									
40									
50	1.0(1.2)	0.7(0.85)	0.7(0.85)	0.7(0.85)	0.7(0.85)				
65									
80									
100									
125	0.8(1.0)	0.5(0.6)	0.7(0.85)	0.5(0.6)	0.6(0.75)				
150									
200				0.7(0.85)		0.5(0.6)	0.4(0.5)	0.4(0.5)	0.35(0.4)
250									
300									
300									

③ Material selection

● Main body material

For application to chemical solution, select the body material by giving consideration to the composition and the temperature. If the fluid is of frictional type containing powder and/or solids, select wear resistant material, simultaneously giving full consideration to the fluid pressure, flow rate, valve opening and the installation position to the piping since these factors may affect the body material.

● Diaphragm

Similar to the selection of body material, to select material for the diaphragm, it is necessary to consider the frequency of open/close service in repetition in addition to the chemical resistance. You are also requested to check the maximum service pressure as it differs by the combination of the diaphragm and body materials. In the case of a weir type diaphragm valve, avoid the combination of PTFE diaphragm and soft rubber lining (Code Nos.33, 35 and 36).

For the detail of material selection, see the material selection list on p.48.

④ Standard exterior paint color

- Rust resistant coating (Gray) without top coating

2

PNEUMATICALLY OPERATED TYPE ON-OFF DIAPHRAGM VALVE

2-1. Pneumatically Operated ON-OFF Diaphragm Valve Actuator

- ① Features of actuator
- ② Actuator specifications

2-2. Weir Type Diaphragm Valve: Type PO(PC, PN)/HO(HC, HN) 1400N

- ① Actuator selection table
- ② Principal dimensions

2-3. Straight Type Diaphragm Valve: Type PO(PN)/HO(HN) 1500N

- ① Actuator selection table
- ② Principal dimensions

2-4. Reference Material

- ① Air chamber capacity and air consumption
- ② Accessories

① Features of actuator

① Smooth operation and sharp improvement of durability:

- Adoption of wear ring realizes smoother operation and improved durability.
- Adoption of stopper nut prevents the shortening of product life due to an excessive load to the diaphragm when the valve is closed, simultaneously eliminating the need for adjusting the working pressure on the direct and double acting types.

② Lightweight and compact:

- The actuator is more lightweight and compact compared with our conventional products (Type HO1400N series).

③ Economical in actuator selection:

- Two to three types of actuator can be selected per nominal size. Selection of an optimum actuator for the working fluid is available.

④ Adoption of NAMUR connection standard*:

- Adoption of NAMUR dimensions to the solenoid valve mounting seat enables direct installation of the same standard solenoid valve without the mounting plate and pneumatic piping. (In the case of direct or double acting type, the pneumatic piping to the upper cylinder is required by using a spacer.)

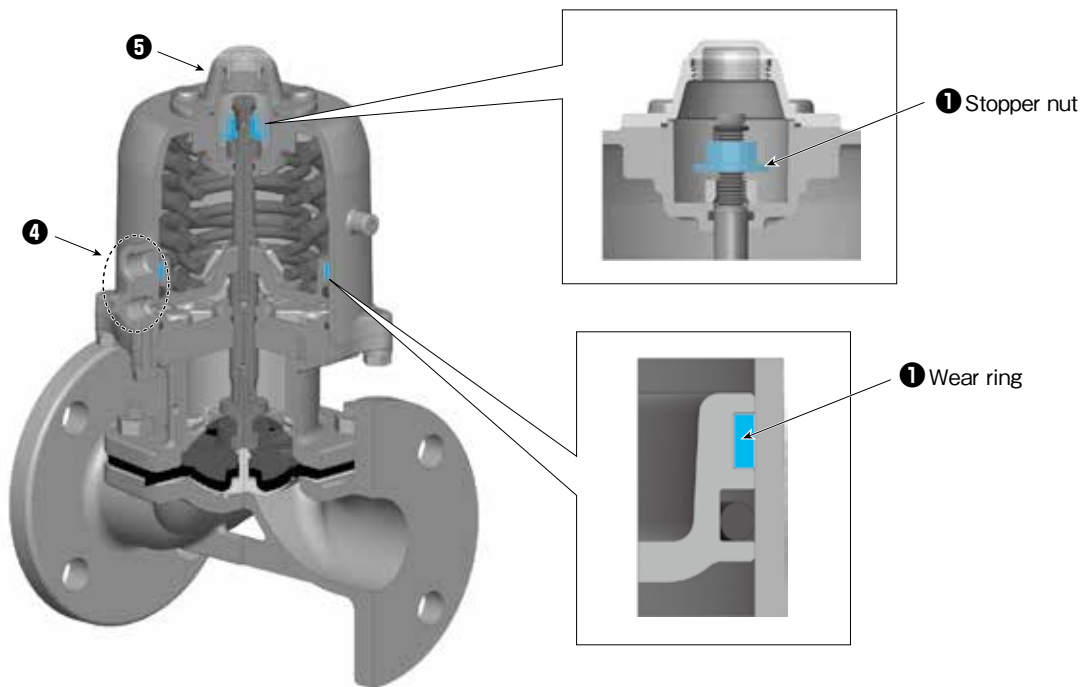
*VDI/VDE3845-2010

⑤ Rich selection of ancillary device (see the following page) is easy to install:

- Ancillary device includes manual operating device and opening limit device, etc.
- Ancillary device can be installed without disassembling the actuator by simply removing the cap on the top.
- Special compact limit switch box is expected to save space for the piping.

⑥ Air saving and use of environment-friendly paint :

- Compact actuator saves on air consumption.
- Environment-friendly paint is used.

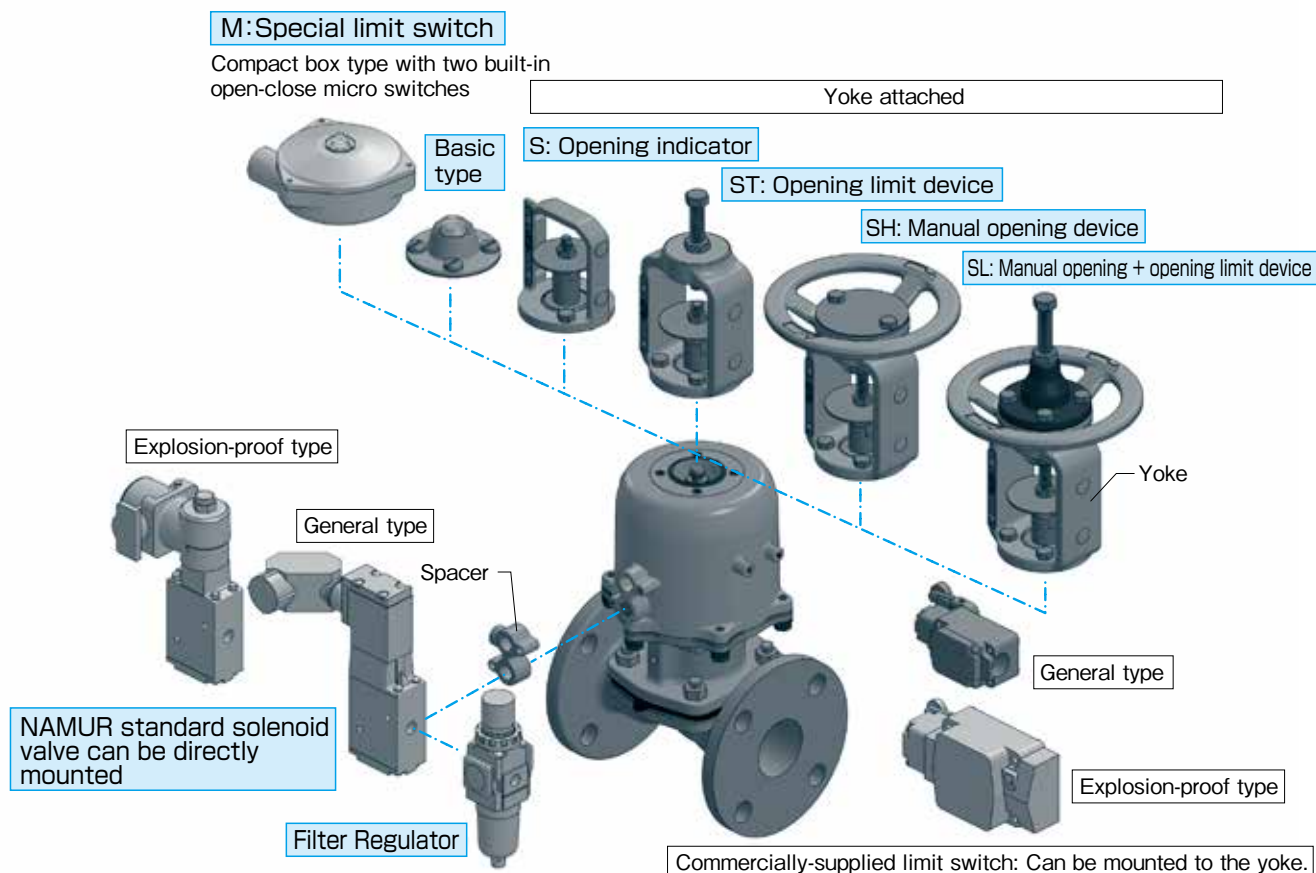


② Actuator specifications

● Standard specifications

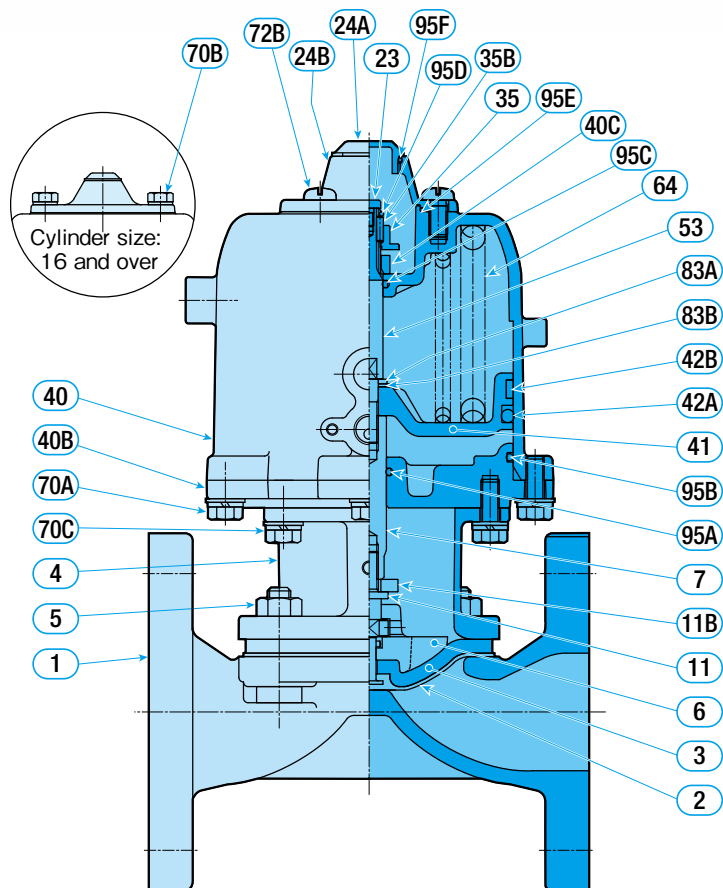
Operation	Reverse acting type (Air to Open/Spring to Close): Type PO1400N, Type PO1500N Direct acting type (Air to Close/Spring to Open) : Type PC1400N Double acting type (Air to Open/Air to Close) : Type PN1400N, Type 1500N
Actuator type	Piston Type (With wear ring)
Operating pressure	0.4 \pm 0.1 MPa, Optional: 0.3 \pm 0.1 MPa
Bonnet material	SCPH2···DN100 or under, Optional: SCS13 FC200···DN125 or over, Optional: SCS13
Cylinder material	ADC12(Aluminum diecast), Optional: Cylinder base SCPH2
Standard exterior painting color	Silver (environment-friendly type)
Nameplate	Seal nameplate reading "Product name/LP/OP/SER No./TAG No." is attached on the exterior surface of the actuator.
Applicable nominal size range	DN15-150

● Ancillary Devices



- Spacer: Required for the explosion-proof type solenoid valve, direct and/or double acting type. Pneumatic piping is required to the upper cylinder in the case of the direct and/or double acting type.
- Optional: Closing limit device, 2-stage open-close device.

● Standard Manufacturing Specification (Type PO1400N-TX)



Part No.	Name	Part No.	Name
1	Main body	42B	Wear ring
2	Diaphragm	53	Stem
3	Cushion rubber	64	Coil spring
4	Bonnet	70A	Hexagonal bolt
5	Bolt		Spring washer
	Nut	Plain washer	
6	Compressor	70B	Hexagonal bolt
7	Spindle		Plain washer
11	Compressor suspension	70C	Hexagonal bolt
			Spring washer
11B	Washer	Plain washer	
23	Indicator	72B	Slotted round head screw
24A	Cap A	83A	Washer
24B	Cap B	83B	Seal washer
35	Stopper nut	95A	O-ring
35B	Pin	95B	O-ring
40	Cylinder	95C	O-ring
40B	Base	95D	O-ring
40C	Spacer	95E	O-ring
41	Piston	95F	O-ring
42A	O-ring		

3. Straight Type Diaphragm Valve: Type PO(PN)/HO(HN)1500N

① Actuator selection table

● Reverse acting type: Type PO1500N

Working pressure : $0.4 \begin{smallmatrix} +0.1 \\ 0 \end{smallmatrix}$ MPa

Nominal Size DN	Actuator Code	Fluid pressure(MPa)						
		0.1	0.2	0.3	0.4	0.5	0.6	0.7
15/20	12B							
25/40	16BC							
50	20BC							
65	25BC							
80	25ABC							
100	25ABC							

● Double acting type: Type PN1500N

MPa in the table below

Nominal Size DN	Actuator Code	Fluid pressure(MPa)						
		0.1	0.2	0.3	0.4	0.5	0.6	0.7
15/20	09	0.25		0.3			0.35	
25/40	12	0.25		0.3			0.35	
50	16	0.2		0.25		0.3	0.35	
65	20	0.2		0.25		0.25	0.3	0.3
80	20	0.25	0.25	0.3		0.35	0.4	
100	25	0.2		0.25		0.25	0.3	

● Reverse acting type: Type HO1500N (for large bore and high output)

Working pressure : $0.4 \begin{smallmatrix} +0.1 \\ 0 \end{smallmatrix}$ MPa

Nominal Size DN	Actuator Code	Fluid pressure(MPa)						
		0.1	0.2	0.3	0.4	0.5	0.6	0.7
125	3147ABC							
	4048BC							
150	4048BC							

● Double acting type: Type HN1500N (for large bore and high output)

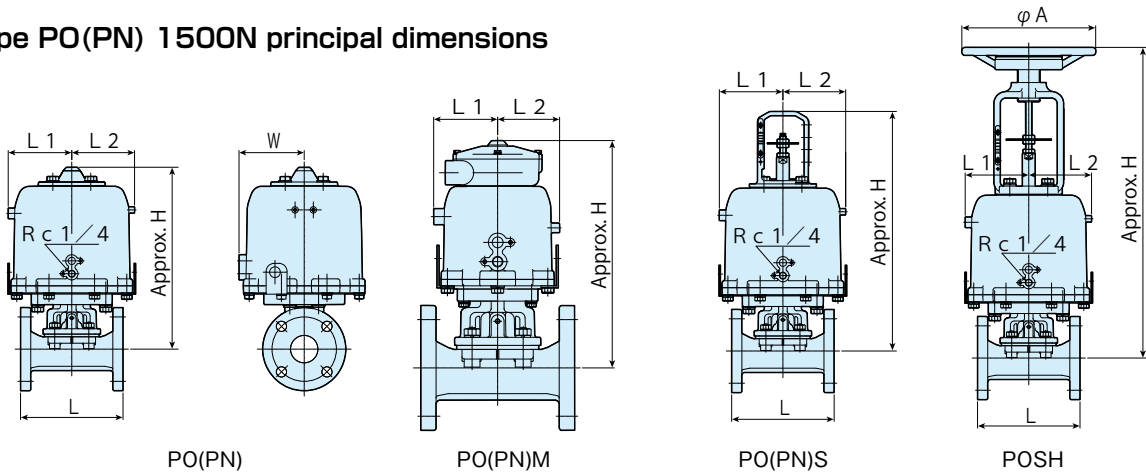
Working pressure : MPa in the table below

Nominal Size DN	Actuator Code	Fluid pressure(MPa)						
		0.1	0.2	0.3	0.4	0.5	0.6	0.7
125	31	0.15		0.2		0.25		
150	31	0.2	0.25	0.3	0.35			
200	3512	0.25	0.3	0.35	0.4			
250	3513	0.25	0.3	0.35	0.4			
300	4014	0.25	0.3	0.35	0.4			

Actuator selection table in this catalog represents the data when the secondary pressure is atmospheric with the valve fully closed. See 6. Reference Material for more detail.

② Principal dimensions

● Type PO(PN) 1500N principal dimensions



Unit: mm

	Nominal Size DN	Face-to-face length: L		Actuator Code	Principal dimensions							
		Other than rubber-lined	Rubber-lined		Approx. H				A	W	L1	L2
					PO PN	POM PNM	POS PNS	POSH				
Single acting type (PO)	15	102	107	12B	228	253	290	357	160	82	80	77
	20	118	123	12B	228	253	290	357	160	82	80	77
	25	127	132	16BC	277	315	385	517	250	101	98	96
	40	159	165	16BC	277	315	385	517	250	101	98	96
	50	191	197	20BC	340	403	447	584	250	122	119	117
	65	216	222	25BC	405	468	524	702	400	147	143	143
80	254	260	25ABC	426	489	545	723	400	147	143	143	
100	305	313	25ABC	427	490	546	724	400	147	143	143	
Double acting type (PN)	15	102	107	09	221	246	283	—	—	64	62	59
	20	118	123	09	221	246	283	—	—	64	62	59
	25	127	132	12	251	277	314	—	—	82	80	77
	40	159	165	12	251	277	314	—	—	82	80	77
	50	191	197	16	288	351	396	—	—	101	98	96
	65	216	222	20	367	430	474	—	—	122	119	117
80	254	260	20	388	451	495	—	—	122	119	117	
100	305	313	25	427	490	546	—	—	147	143	143	

· H : Height of hard rubber lining

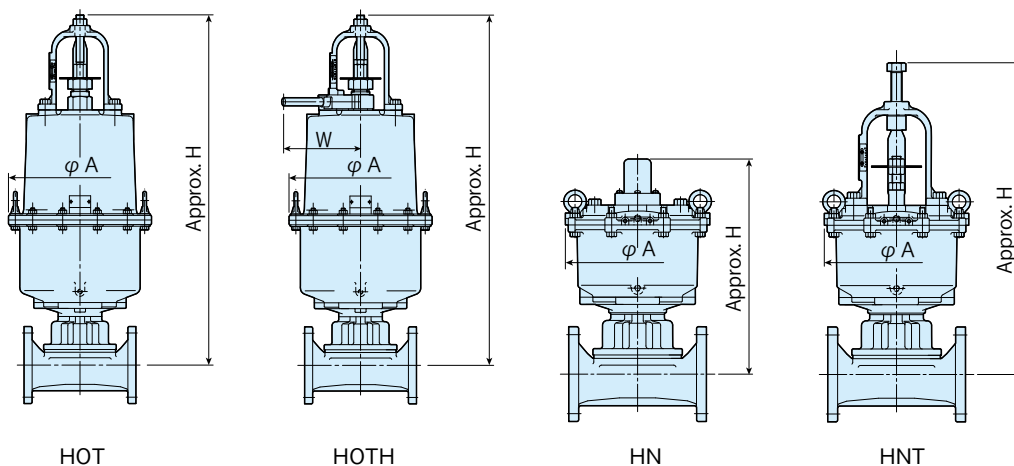
● Type PO(PN) 1500N table of mass

Unit : approx . kg

	DN	Actuator Code	Basic type		Added mass for ancillary device	
			PO PN	POS PNS	POM PNM	POSH
Single acting type (PO)	15	12BC	6.2	+0.6	+0.5	+2
	20	12BC	6.6	+0.6	+0.5	+2
	25	16BC	12.0	+1.5	+1	+6.2
	40	16BC	13.9	+1.5	+1	+6.2
	50	20BC	24.7	+1.5	+1	+6.2
	65	25BC	43.3	+2.6	+1	+11.8
	80	25ABC	48.2	+2.6	+1	+11.8
Double acting type (PN)	100	25ABC	54.2	+2.6	+1	+11.8
	15	09	4.1	+0.6	+0.5	—
	20	09	4.5	+0.6	+0.5	—
	25	12	7.0	+1.5	+1	—
	40	12	8.9	+1.5	+1	—
	50	16	16.3	+1.5	+1	—
	65	20	25.1	+2.6	+1	—
	80	20	30.0	+2.6	+1	—
	100	25	41.0	+2.6	+1	—

• The mass is for our standard cast iron body of 10K with flange.

● Type HO(HN) 1500N (for large bore and high output) principal dimensions



Unit : mm

Single acting type (HO)	Nominal Size DN	Face-to-face length: L		Actuator Code	Principal dimensions			Mass: approx. kg		Air chamber capacity: l	
		Other than rubber-lined	Rubber-lined		Approx. H		A	W	HOT		HOTH
					HOT	HOTH					
125	356	364	3147BC	977	396	238	171	173	13.2		
				1133	495	412	241	245	22.6		
				1171	495	412	275	279	22.6		
150	406	414	4048BC								

Double acting type (HN)	Nominal Size DN	Face-to-face length: L		Actuator Code	Principal dimensions			Mass: approx. kg		Air chamber capacity: l	
		Other than rubber-lined	Rubber-lined		Approx. H		A	HN	HNT	Lower chamber	Upper chamber
					HN	HNT					
125	356	364	31	629	879	396	117	126	12.4	8.3	
150	406	414	31	667	976	396	133	142	13.2	9.1	
200	521	529	3512	705	-	460	226	-	16.0	20.0	
250	635	645	3513	815	-	460	250	-	20.0	21.0	
300	749	759	4014	922	-	520	460	-	29.0	30.0	

Remarks : 1.The air intake ports are Rc1/4 with exception that air intake ports of actuator 3512,3513 & 4014 is Rc3/8.
 2.Height of product represents cast iron body for other than rubber-lined, and hard rubber lining body for rubber-lined.
 3.DN200 to 300 are for the double acting Type HN1500. For further details, contact our Sales Dept. or local representative.

① Air chamber capacity and air consumption

● Air chamber capacity: Type PO(PC/PN) 1400N / PO(PN) 1500N

	Actuator code	A : PO (Lower chamber)	B : PC (Upper chamber) C : PN (Upper chamber)	D : PN (Lower chamber)
Air chamber capacity: l	07	0.1	0.1	0.2
	09	0.2	0.3	0.3
	12/12BC	0.5	0.7	0.7
	16/16BC	1.0	1.1	1.4
	20/20BC	2.2	2.7	3.0
	25/25BC/25ABC	3.1	4.7	5.5

● Air consumption

Cumulative air consumption needed for cylinder operation (one count per round of cylinder operation) can be calculated with the following equation.
[Equation for calculating the air consumption]

where; Q = Air consumption (NI), P = Working pressure (MPa)

A - D = Air chamber capacity (l), N = Number of operation (1 operation = 1 round of operation)

- PO (Reverse acting type): $Q=(10P+1)A \times N$
- PC (Direct acting type): $Q=(10P+1)B \times N$
- PN (Double acting type): $Q=\{(10P+1) \times (C+D)\} \times N$

② Accessories

● Limit switch

		Exclusive limit switch	Commercially-supplied limit switch	
Type		Rainproof type (IP67 comparable)	Rainproof type	Explosion-proof type (Ex de IIC T6)
Type No.		MDN	1LS19-J	1LX7001-J
Rated voltage	AC	5A-125,3A-250V	10A-125,250,480V	5A,250V
	DC	—	0.8A-125V 0.4A-250V	0.8A-125V 0.4A-250V
Connector		G1/2(JIS B 0202)	G1/2(JIS B 0202)	
Manufacturer		NDV	Azbil	

● Exclusive limit switch

Special box with built-in micro switches is attached to the actuator. Compact in size and can be commonly applied to Types PO, PC, PN 1400N.

● Commercially-supplied limit switch

Please designate rainproof type or explosion-proof type. Commercially-supplied limit switch will be installed with an opening indicator installed (to the yoke.) If a limit switch other than our standard switch is required, mounting parts will be specially designed.

(In case of DN20 or less, only 1LS19-J is applicable. In case that other products are required, contact our Sales Dept. or local representative.)

● Solenoid

Type	Rainproof type		Explosion-proof type		Rainproof type		Explosion-proof type		
	Type No.	EC20	EC20R	EC30	EC30R	EV20	EV20R	EV30	EV30R
Actuator	PO,PN	PC	PO,PN	PC	PO,PN	PC	PO,PN	PC	
Rated voltage	AC100V,110V,200V,220V,DC24V				AC100V,200V,DC24V		AC100V,110V,200V,220V,DC24V		
Connection bore	Rc1/4				Rc1/4				
Explosion-proof performance	—		d2G4		—		d2G4,Ex d IIB T4		
Connector	G1/2(JIS B 0202)				G1/2(JIS B 0202)				
Manufacturer	CKD				SMC				

Solenoid for NAMUR standard connection can be directly installed.

● Filter Regulator

Type No.	AW20-02EH-CR-X2127
Connection bore	Rc1/4
Supply pressure	MAX:1.0MPa
Filtration granularity	5 μm
Manufacturer	SMC

Type PN1500N will be standard installed with a regulator (AR20K-02EH-X2156) on the closing side.

Accessories other than stated above can be installed as designated. For the details, contact our Sales Dept. or local representative.

4

ELECTRICALLY OPERATED DIAPHRAGM VALVE

4-1. Specifications of Electrically Operated Valve

- ① MS type: Seibu Electric & Machinery Model
- ② NR type: Nihon KOSO Model

4-2. Weir Type Diaphragm Valve: Type MS(NR)4400

- ① Actuator selection table
- ② Principal dimensions

4-3. Straight Type Diaphragm Valve: Type MS(NR)4500

- ① Actuator selection table
- ② Principal dimensions

① MS type: Seibu Electric & Machinery Model

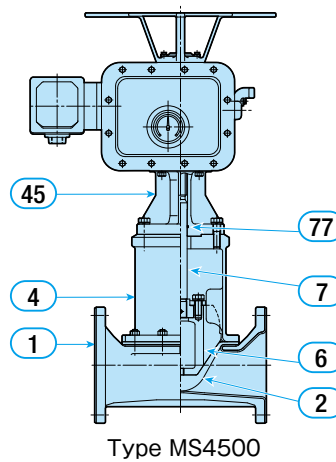
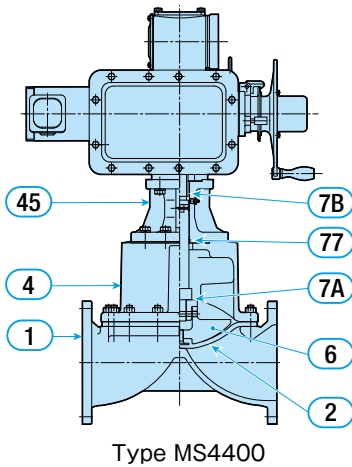
● Features

- ① Widely used by the government office for water treatment facilities and for power plants.
- ② Manual return type is the standard for safety purpose.
- ③ Rich selection of accessories (motor with the brake, electric positioner, etc.)
- ④ Control valve is also available in addition to the ON-OFF valve.

● Standard Specifications

Valve type	Types MS4400 (Weir type), MS4500 (Straight type):	
Power supply	Motive power	3-phase AC power supply, 200/220 VAC, 400/440 VAC, 50/60Hz
	Operation	Single-phase AC power supply, 100/110 VAC, 200/220 VAC, 50/60Hz
Motor	Structure	Flange type fully closed outdoor type(MRS is a built-in type fully closed outdoor type.)
	Number of pole	4 poles
	Brake	None
	Insulation	Type B(MRS), Type E(MAS-MFS)
	Rating	15 min
Operating machine	Structure	Outdoor type (IP55)
	Selection system	Manual return system with selection lever
Switch	Position switch	Contact configuration: 1a1b contact (each one provided to OPEN and CLOSE sides)
	Torque switch	Contact configuration: 1c contact (each one provided to OPEN and CLOSE sides)
	Interlock switch	Contact configuration: 1c contact
Accessory	Space heater	With 30 W (10 W for MRS type)
	Opening indicator	0 ⇔ 100% indication
Standard exterior painting color	Silver (environment-friendly type)	
Optional	Special power supply, motor with the brake, automatic return system, explosionproof type, various types of transmitters, etc. can be arranged.	

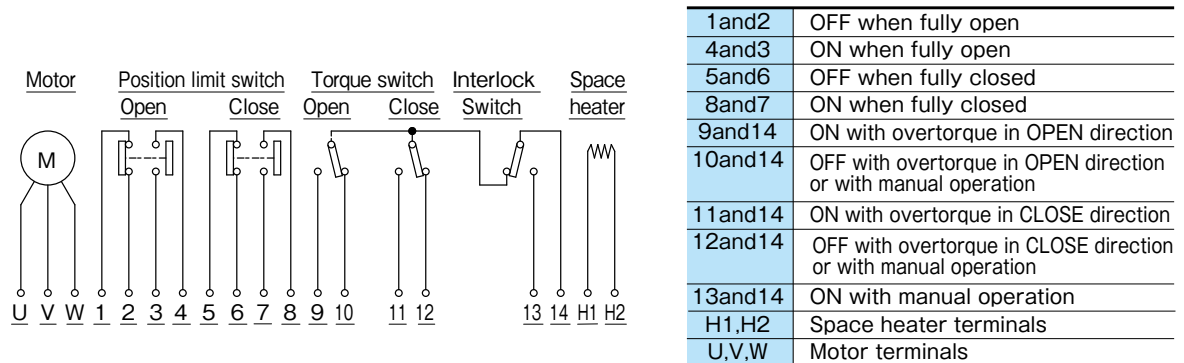
● Structure and Materials for Major Parts



Part No.	Part No.	Material
1	Main body	
2	Diaphragm	
4	Bonnet	FC200
6	Compressor	Note (1) FC200
7	Spindle	SUS304
7A	Spindle A	SUS304
7B	Spindle B	SS400
45	Yoke	FC200
77	O-ring	NBR

Note (1) Nominal size DN25-100 for Type 4400 is SCS13.)

● Internal Connection Diagram (For reference)



Limiterorque (Nippon Gear), Rotork (Shimadzu) and other electrically operated machines are installable in addition to MS type and NR type above. For the details, contact our Sales Dept. or local representative.

② NR type: Nihon KOSO Model

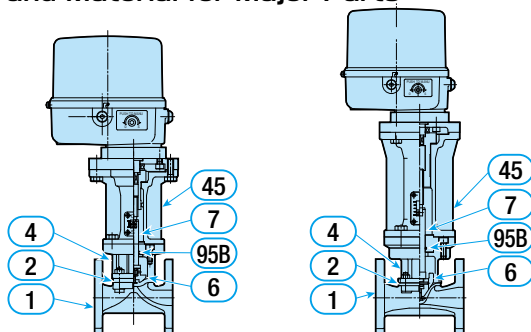
● Features

- ① Compact motor-operated machine for small bore valve.
- ② Operable with a single-phase power supply
- ③ Economical as it consumes only little power compared with MS type.
- ④ Valve open-close operation with a single select switch.
- ⑤ Control valve is also available in addition to the ON-OFF valve.

● Standard Specifications

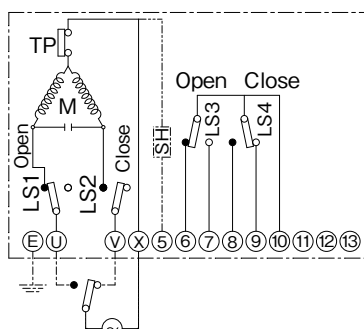
Valve type	Types NR4400 (Weir type), NR4500 (Straight type)	
Power supply	Single-phase AC power supply, 100/110 VAC, 200/220 VAC, 50/60Hz	
Motor	Structure	Reversible motor (with thermal protector)
	Number of pole	4 poles
	Brake	With permanent brake
	Insulation	Type E
	Rating	30 min
Operating machine	Structure	Outdoor type (IP55)
	Selection system	Manual spindle pushing
Switch	Position switch	Contact configuration: 1b contact (each one provided to OPEN and CLOSE sides)
	Auxiliary switch	Contact configuration: 1c contact (two provided)
	Torque switch	None
	Interlock switch	None
Accessory	Opening indicator	O(OPEN) ⇔ S (SHUT) indication
Standard exterior painting color	Metallic blue *Any special paint is not applicable.	
Optional	Space heater, electric-electric positioner, separate terminal box	

● Structure and Material for Major Parts



Part No.	Name	Material
1	Main body	
2	Diaphragm	
4	Bonnet	FC200
6	Compressor	SCS13
7	Spindle	SUS304
45	Yoke	FC200
95B	O-ring	NBR

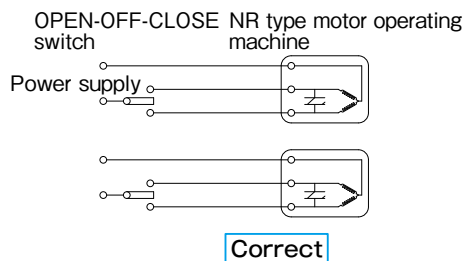
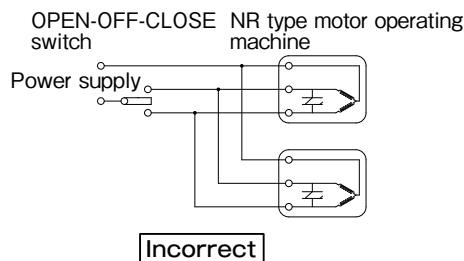
● Internal Connection Diagram



U-X	Turn to CCW direction (OPEN direction)
V-X	Turn to CW direction (CLOSE direction)
7-10	ON at hinged end of CCW (fully open position)
9-10	ON at hinged end of CW (fully closed position)
TP	Thermal protector
SH	Space heater (optional)
LS3,LS4	Limit switch can be set for activation at an arbitrary position.

Turning direction is as viewed from the top of the operating machine. The diagram shows a hinged end at CW (fully closed position.)

If the 2 units of electric operating machines are simultaneously operated with the wiring as shown in the lower left-hand corner, a detour circuit is established through the capacitor leading to abnormal operation. Always arrange for the operating switches separately as shown to the right.



① Actuator selection table

● Type MS4500 selection table

Power supply frequency			50Hz							60Hz						
Nominal Size DN	Actuator		Fluid pressure (MPa)							Fluid pressure (MPa)						
	Type	Output (kW)	0.1	0.2	0.3	0.4	0.5	0.6	0.7	0.1	0.2	0.3	0.4	0.5	0.6	0.7
25	MRS	0.1														
	MAS	0.2														
40	MRS	0.1														
	MAS	0.2														
50	MRS	0.1														
	MAS	0.2														
65	MRS	0.1														
	MAS	0.2														
80	MRS	0.1														
	MAS	0.2														
100	MRS	0.1														
	MAS	0.2														
125	MRS	0.1														
	MAS	0.2														
150	MRS	0.2														
	MAS	0.2														
200	MBS	0.75														
	MCS	0.75														
250	MCS	0.75														
	MCS	1.5														
300	MCS	1.5														
	MDS	1.5														

● Type NR4500 selection table

Nominal Size DN	Actuator		Fluid pressure (MPa)						
	Type	Output (W)	0.1	0.2	0.3	0.4	0.5	0.6	0.7
15	NRG	20							
20	NRG								
25	NRH								
40	NRH								
50	NRJ								

Actuator selection table in this catalog represents the case where the pressure to the secondary side is atmospheric when the valve is fully closed. See 6. Reference Material for more detail.

DIAPHRAGM VALVE

MANUALLY OPERATED DIAPHRAGM VALVES

PNEUMATICALLY OPERATED ON-OFF DIAPHRAGM VALVES

PNEUMATICALLY OPERATED TYPE FLOW CONTROL DIAPHRAGM VALVE

ELECTRICALLY OPERATED DIAPHRAGM VALVE

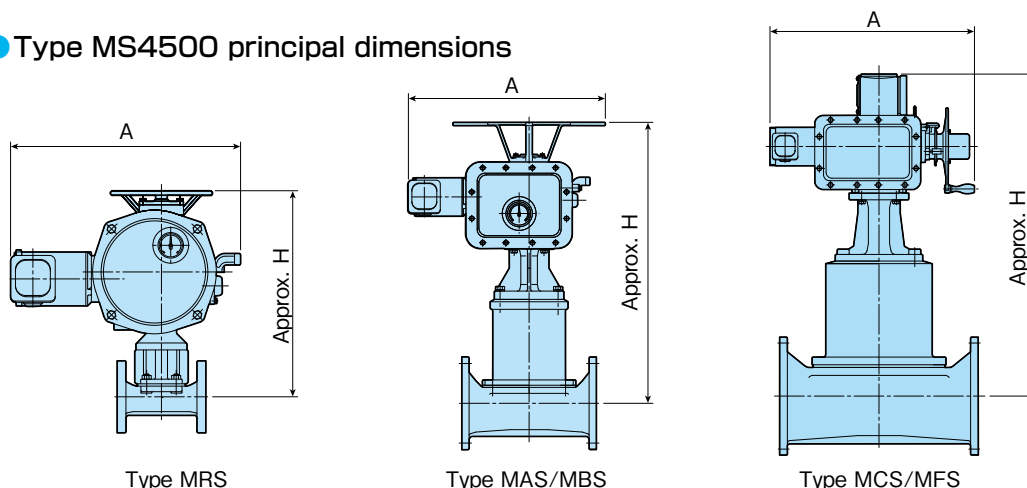
INTRODUCTION OF RELATED PRODUCTS

REFERENCE MATERIALS

SAFETY INSTRUCTIONS

2 Principal dimensions

● Type MS4500 principal dimensions

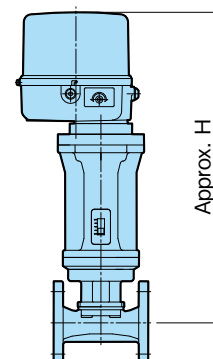


Nominal Size DN	Actuator		Principal dimensions (mm)				Stroke (mm) ON-OFF valve	Operating time (sec)			Mass approx. (kg)
	Type	Output (kW)	Face-to-face		A	Approx. H		50Hz	60Hz		
			Other than rubber-lined	Rubber-lined				ON-OFF valve	ON-OFF valve		
25	MRS	0.1	127	132	430	440	25	28	23	53	
	MAS	0.2			587	545		27	22		70
40	MRS	0.1	159	165	430	440	25	28	23	55	
	MAS	0.2			587	545		27	22		72
50	MRS	0.1	191	197	430	450	30	25	21	59	
	MAS	0.2			587	555		24	20		76
65	MRS	0.1	216	222	430	475	35	29	25	64	
	MAS	0.2			587	580		28	24		81
80	MRS	0.1	254	260	430	520	50	34	28	73	
	MAS	0.2			587	625		32	27		90
100	MRS	0.1	305	313	430	545	50	34	28	83	
	MAS	0.2			587	670		32	27		100
125	MRS	0.1	356	364	430	640	70	47	41	98	
	MAS	0.2			587	765		45	38		115
150	MRS	0.2	406	414	430	730	110	74	62	118	
	MAS				587	855		71	59		135
200	MBS	0.75	521	529	625	860	110	53	44	225	
	MCS				800	960		83	69		270
250	MCS	0.75	635	645	800	1160	160	90	75	325	
		1.5			837			837	57		48
300	MCS	1.5	749	759	837	1195	190	68	57	535	
	MDS				934			934	78		65

Remarks: Dimension A and mass are for a motor without the brake.

● Type NR4500 principal dimensions

Nominal Size DN	Actuator		Principal dimensions (mm)			Stroke (mm) ON-OFF valve	Operating time (sec)			Mass approx. (kg)
	Type	Output (W)	Face-to-face		Approx. H		50Hz	60Hz		
			Other than rubber-lined	Rubber-lined			ON-OFF valve	ON-OFF valve		
15	NRG	20	102	107	446	10	19	16	16	
20	NRG		118	123	446	10	19	16	16	
25	NRH		127	132	533	25	31	25	20	
40	NRH		159	165	533	25	31	25	22	
50	NRJ		191	197	544	30	58	48	27	

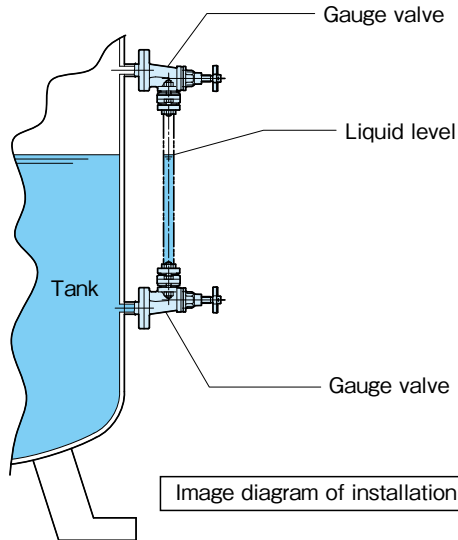


5

INTRODUCTION OF RELATED PRODUCTS

① Gauge Valve type: Type 400G

- Liquid level inspection valve using the structure and features of weir type diaphragm valve.
- Main body made of lining material (hard natural rubber, glass, etc.) is corrosive liquid resistant.
- Applicable nominal size: DN20



② Rubber-lined Check Valve

- Check valve with rubber lining material is manufactured using technology for rubber lining processing.
- Sealing system for DN15 - 80 is a ball type valve body and DN100 and 150 a swing type valve body.
- This valve is exclusively for a vertical piping. (Swing type valve body is applicable to level installation as well.)



③ Bioclean Diaphragm Valve series

- Valves of optimal sanitary specifications are available for the production lines of pharmaceutical, cosmetic, food, semiconductor and other industries. Bioclean Diaphragm Valve series most utilize the advantages of diaphragm valve structure that "contaminates no fluid and provides superb self-purifying performance."
- For more details, please refer to our Sanitary-related Valve Product Guide.



Order made system available to develop products meet customers' need;
Inquire us for other options for actuators, special shaped body, special material products, etc.

6

REFERENCE MATERIALS

- ① Flange dimensions: Basic dimensions and standard face-to-face dimensions for JIS 10K flange
- ② Special specifications: Nameplate, Painting, Photography and Witness inspection
- ③ How to read the product code number
- ④ Material selection table
- ⑤ Actuator selection table

①

Flange dimensions: Basic dimensions and standard face-to-face dimensions for JIS 10K flange

Unit: mm

Nominal Size DN	Outside Size D	Thickness t			Bolt hole			Bolt nomination	Raised face (RF)		Standard face-to-face dimension		
		FC	Other than FC	Rubber-lined, resin-lined	Diameter C of center circle	Quantity	Diameter h		g	f	Flange type		Screwed type
											Other than rubber-lined, resin-lined	Rubber-lined, resin-lined	
10	90	13	10	3	65	4	15	M12	46	1	102	107	—
15	95	13	10	3	70	4	15	M12	51	1	102	107	64
20	100	13	10	3	75	4	15	M12	56	1	118	123	93
25	125	13	10	3	90	4	19	M16	67	1	127	132	108
32	135	16	13	3	100	4	19	M16	76	2	159	165	—
40	140	16	13	3	105	4	19	M16	81	2	159	165	140
50	155	19	14	3	120	4	19	M16	96	2	191	197	165
65	175	19	14	3	140	4	19	M16	116	2	216	222	203
80	185	19	14	3	150	8	19	M16	126	2	254	260	254
100	210	22	17	4	175	8	19	M16	151	2	305	313	—
125	250	22	17	4	210	8	23	M20	182	2	356	364	—
150	280	22	17	4	240	8	23	M20	212	2	406	414	—
200	330	25	19	4	290	12	23	M20	262	2	521	529	—
250	400	25	19	5	355	12	25	M22	324	2	635	645	—
300	445	29	22	5	400	16	25	M22	368	3	749	759	—

Flange type**1. Flange standard:**

The above standard comply with JIS B2220 (steel pipe flange with nominal pressure of 10K). The flange thickness t shall comply with BS10 Part 2-TABLE D (British Standard Class D).

2. The flange thickness t shall be classified as follows:

FC: Gray casting, ductile steel casting

Other than FC: Steel casting, stainless steel casting, and bronze casting

3. Packing face:

Standard face shall be flat face. The above table shall apply to stainless steel casting, particularly when raised face is specified. The standard of this company shall apply to ETFE-, PFA-, and glass-lined material for the main body that constitute a raised face from their manufacturing method.

4. Other Standards:

We also manufacture flanges under other standards such as ANSI Class 125/150. Standards of Japan Water Works Association, DIN PN10/16. The thickness of flanges shall be all as per above-mentioned table. (Depending on body materials, either of ANSI Standard Class 125 or 150 is applied, but the both flange bolt hole pattern is same.)

5. Face-to-face dimension:

Complies with ISO 5752.

6. Bolt and nut:

Because of narrow space for the hexagon piping nut on the back of the flange of nominal size DN15 - 80, use of continuous-thread stud and hexagonal nut of JIS Standard (8-slit nut) is recommended.

②

Special specifications: Nameplate, Painting, Photography and Witness inspection

1. Nameplate:

Nameplates indicating the valve name and other special naming are available by option.

2. Painting:

Standard painting shall be as follows:

Manually operated valves: Rust resistant paint (Gray) without top coating

Automatically operated valves (pneumatic and electric): Rust resistant paint and silver top paint

For special coating, please specify details for separate estimate.

3. Photography:

Photography is available by option.

4. Witness inspection:

Witness inspection by inspection agency is option.

③ How to read the product code number

● Basic system for product code number

P	O	S	T	1	4	3	0	(04)	N	-	EP	-	1	0	0	-	20	-	J10KFF
①	②	③	④	⑤	⑥	*					⑦		⑧		⑨		⑩		
Operating system	Ancillary device	Operating section	Valve type	Material of main body	Special body/lining base material						Material of diaphragm		Nominal size		Actuator code		Connection standard		

① Operating system

Manually operated valve	None	Standard handwheel type
	G	Gear operated type
	QL	Quick open-close type
Pneumatically operated valve	PO(HO)	ON-OFF valve, reverse acting type
	PC(HC)	ON-OFF valve, direct acting type
	PN(HN)	ON-OFF valve, double acting type
	BO	Rolling diaphragm type control valve, reverse acting type
	BC	Rolling diaphragm type control valve, direct acting type
Electrically operated valve	MRS	MS type actuator (Manufactured by Seibu Denki)
	M#S	
	NR#	NR type actuator (Manufactured by Nihon Koso)

② Ancillary device

None	Standard actuator
L	With the lock nut
S	With the opening indicator
M	With a limit switch/exclusive limit switch box
SH	With the manual opening device: for Types PO1400N(1500N)
ST	With the opening limit device: for Types PO(PC, PN)1400N(1500N)
SL	With the manual opening + opening limit device: for Types PO1400N(1500N)
T	With the opening limit device: for Types HO(HC, HN)1400N(1500N)
TH	With the manual opening + opening limit device: for Types HO1400N(1500N)
H	With the manual operated device: for Types BO(BC)3400

③ Operating section

None	Manually operated valve
1	Pneumatically operated type ON-OFF valve
3	Pneumatically operated type flow control valve
4	Electrically operated valve

④ Valve type

4	Weir type diaphragm valve: Type 400
5	Straight type diaphragm valve: Type 400

⑤ Material of main body... See p10 and p15

⑥ Special body/lining base material

None	Standard two-face body
L	Angle type

S, O4 etc. Lining base material: ⑤ Dependent on a main body material code (Also depend on requested material and type.)

⑦ Diaphragm material... See p.11 and 15.

⑧ Nominal size: (DN or A)
Compliant with ISO 6708 and JIS B 2001.

⑨ Actuator code: Compliant with respective selection tables. (In the case of an electrically operated valve, our 8-digit code number will be given according to requested valve specifications.)

⑩ Connection standard

J10KFF	JIS 10KFF
J10KRF	JIS 10KRF
A125FF	ANSI CL125FF
A150RF	ANSI CL150RF
PT	Tapered screw for the piping
JT	General TIG welded joint
SW	Insert welded type

(Other standard may be arranged as requested.)

*Improved product ID code (To be determined at the time of valve selection. Requires no selection by customer.)

None	First time
N	First improvement
NB	Second improvement
NC	Third improvement

[Notation example]

· Example for a manually operated valve

	S		4	0	1	()	NB	-	CR	-	0	2	5	-		-	J10KFF
①	②	③	④	⑤	⑥	*			⑦		⑧		⑨		⑩		

Base material : None

Main body: FC200

Weir type diaphragm valve

Manually operated valve: None

With the opening indicator

Standard handwheel type: None

Diaphragm: Chloroprene

Nominal size: DN25

Actuator code: None

JIS 10KFF

· Example for a pneumatically operated ON-OFF valve

P	O	S	L	1	4	5	9	(M)	N	-	TX/CE	-	0	5	0	-	16	-	J10KRF
①	②	③	④	⑤	⑥	*					⑦		⑧		⑨		⑩		

Base material: FCD-S

Main body: PFA-lined

Weir type diaphragm valve

Pneumatically operated ON-OFF diaphragm valve

With manual opening + opening limit device

Pneumatically operated ON-OFF diaphragm valve reverse acting type

Diaphragm : NEW PTFE/EPDM

Nominal size : DN50

Actuator code : 16

JIS 10KRF

The above-mentioned product codes represent the standard system. A separate code number may be given to a product manufactured according to requested specifications. For any question on the detail of product coding, contact our Sales Dept. or local representative.

6

REFERENCE MATERIALS

4 Material Selection Table

This valve selection table outlines typical reference materials based on our tests and rich performance data. (The following table represents excerpts of reference materials. For application under other fluid, concentration, temperature and other conditions than stated in the table, please contact our Sales Dept. or local representative.)

Material evaluation symbol

☉: Comprehensively recommended ○: Applicable △: Conditionally applicable ×: Inapplicable -: Applicability unknown

Fluid name	Concentration%	Temperature°C	Main body material code*1												Diaphragm material code*2						
			01	04	07	12	13	30	33	35	36	40	59	60	80	NR	CR	BG	EP	AB	TX
Sodium nitrite	60	20 to 60	△	△	○	○	○	☉	○	○	○	○	○	○	-	○	○	○	☉	○	○
		61 to 80	△	△	○	○	○	☉	△	△	△	△	○	○	-	○	○	△	☉	×	○
Sulfite solution	5	20 to 60	×	×	○	○	○	☉	△	○	△	○	○	-	○	○	○	○	△	○	
		61 to 80	×	×	○	○	○	☉	△	○	△	○	○	-	×	×	×	×	×	○	
Sodium sulfite	20 or under	20 to 60	×	×	○	○	○	☉	△	○	△	○	○	-	○	○	○	○	△	○	
		61 to 80	×	×	○	○	○	☉	△	○	△	○	○	-	○	○	△	☉	×	○	
Ammonia water	28	20 to 50	○	○	○	○	○	☉	○	○	○	×	○	-	○	○	○	○	-	○	
		20 to 60	○	○	○	○	○	○	○	○	○	○	○	○	-	○	○	○	○	○	○
Ethylene glycol	100	61 to 80	○	○	○	○	○	○	△	△	△	○	○	-	○	○	△	○	△	○	
		81 or over	○	○	○	○	×	×	×	×	○	○	○	-	×	×	×	△	×	○	
		20 to 50	×	×	×	×	×	☉	○	○	○	○	○	-	○	○	○	○	○	○	
Ammonium chloride	35	20 to 50	×	×	×	×	×	☉	○	○	○	○	-	○	○	○	○	○	○		
	55	60	×	×	×	×	×	☉	△	△	△	○	-	○	○	△	☉	×	○		
	77	98	×	×	×	×	×	×	×	×	○	○	-	×	×	×	△	×	○		
Hydrochloric acid	5 or under	20 to 60	×	×	×	×	×	☉	○	○	○	○	-	○	○	○	○	○	○		
		61 to 80	×	×	×	×	×	☉	×	×	△	○	-	○	△	○	☉	△	○		
		81 to 100	×	×	×	×	×	×	×	×	×	○	○	-	○	○	○	○	○	○	
	6 to 20	20 to 60	×	×	×	×	×	☉	△	△	△	○	-	○	○	○	○	○	○	○	
		61 to 80	×	×	×	×	×	☉	×	×	×	○	-	△	△	△	○	△	○	○	
		81 to 100	×	×	×	×	×	×	×	×	×	○	-	×	×	×	△	×	○	○	
	21 to 30	20 to 50	×	×	×	×	×	☉	×	×	△	○	-	○	○	○	○	○	△	○	
		51 to 70	×	×	×	×	×	☉	×	×	×	○	-	△	△	△	○	△	○	○	
		71 to 80	×	×	×	×	×	○	×	×	×	○	-	×	×	×	×	×	×	○	
	31 to 35	81 to 90	×	×	×	×	×	×	×	×	×	○	-	×	×	×	×	×	×	○	
		20 to 35	×	×	×	×	×	○	×	×	×	○	-	△	×	○	○	×	○	○	
		36 to 60	×	×	×	×	×	○	×	×	×	○	-	×	×	×	○	×	○	○	
36	61 to 80	×	×	×	×	×	○	×	×	×	○	-	×	×	×	×	×	×	○		
	20 to 35	×	×	×	×	×	○	×	×	×	○	-	×	×	×	×	×	×	○		
Fuming hydrochloric acid	37.2 or over	36 to 70	×	×	×	×	×	○	×	×	×	○	-	×	×	×	×	×	○		
		20 to 35	×	×	×	×	×	○	×	×	×	○	-	×	×	×	×	×	○		
Chlorine gas (wet)	36 or over	20 to 35	×	×	×	×	×	△	×	×	×	○	-	×	×	×	△	×	○		
		36 or over	×	×	×	×	×	×	×	×	×	○	-	×	×	×	×	×	○		
Chlorine gas (dry)	36 or over	20 to 35	×	△	△	△	△	△	×	×	×	○	-	×	×	×	△	×	○		
		36 or over	×	△	△	△	△	△	×	×	×	○	-	×	×	×	×	×	○		
Sodium chlorate	20 or over	20 to 50	×	×	○	○	○	○	△	△	△	○	-	△	△	△	○	-	○		
		51 or over	×	×	○	○	○	○	×	×	×	○	-	×	×	×	×	-	○		
Chlorine water	0.3 or under	20 to 35	×	×	×	×	×	☉	×	×	×	○	-	○	○	×	×	×	○		
		36 or over	×	×	×	×	×	×	×	×	×	○	-	○	○	×	×	×	○		
Seawater	20	20	×	×	×	×	×	☉	○	○	○	-	○	○	-	○	○	-	○		
Acetic acid	5 or under	20 to 50	×	×	○	○	○	☉	△	△	△	○	-	○	○	○	△	△	○	○	
		51 to 60	×	×	○	○	○	☉	△	△	△	×	-	○	○	○	△	△	×	○	
		61 to 80	×	×	○	○	○	×	×	×	×	×	○	-	×	×	△	×	×	○	
	6 to 20	20 to 35	×	×	○	○	○	☉	×	×	×	×	-	×	×	○	☉	×	×	○	
		36 to 50	×	×	○	○	○	☉	×	×	×	×	-	×	△	○	×	×	×	○	
		51 to 80	×	×	○	○	○	×	×	×	×	×	○	-	×	×	×	×	×	○	
	21 to 40	20 to 35	×	×	○	○	○	☉	×	×	×	×	-	×	×	○	×	×	×	○	
		36 to 50	×	×	○	○	○	☉	×	×	×	×	-	×	×	○	×	×	×	○	
		51 to 80	×	×	○	○	○	×	×	×	×	×	○	-	×	×	×	×	×	○	
	41 to 60	20 to 35	×	×	○	○	○	○	×	×	×	×	-	×	×	○	×	×	×	○	
		36 to 50	×	×	○	○	○	△	×	×	×	×	-	×	×	○	×	×	×	○	
		51 to 80	×	×	○	○	○	×	×	×	×	×	○	-	×	×	×	×	×	○	
61 to 80	20 to 35	×	×	○	○	○	△	×	×	×	×	-	×	×	×	×	×	×	○		
	36 to 50	×	×	○	○	○	×	×	×	×	×	-	×	×	×	×	×	×	○		
	51 to 80	×	×	○	○	○	×	×	×	×	×	-	×	×	×	×	×	×	○		
96 to 100	20 to 35	×	×	○	○	○	×	×	×	×	×	-	×	×	×	×	×	×	○		
	36 or over	×	×	○	○	○	×	×	×	×	×	-	×	×	×	×	×	×	○		
Sodium hypochlorite	0.1 or under	20 to 35	×	×	×	×	×	☉	△	△	△	○	-	△	△	△	○	△	○		
		36 to 50	×	×	×	×	×	☉	×	×	×	○	-	×	×	△	△	○	×	○	
		51 to 60	×	×	×	×	×	☉	×	×	×	○	-	×	×	×	×	×	×	○	
	0.11 to 1.0	20 to 35	×	×	×	×	×	○	△	△	△	○	-	△	△	△	○	×	○		
		36 to 50	×	×	×	×	×	○	×	×	×	○	-	×	×	×	×	△	×	○	
	51 or over	20 to 35	×	×	×	×	×	☉	×	×	×	○	-	×	×	×	×	×	×	○	
		36 to 50	×	×	×	×	×	○	×	×	×	○	-	×	×	×	×	△	×	○	
	1.1 to 2.0	20 to 35	×	×	×	×	×	☉	×	×	△	○	-	×	△	△	○	×	○		
		36 to 50	×	×	×	×	×	○	×	×	×	○	-	×	×	×	×	△	×	○	
	51 or over	20 to 35	×	×	×	×	×	○	×	×	×	○	-	×	×	×	×	×	×	○	
		36 to 50	×	×	×	×	×	○	×	×	×	○	-	×	×	×	×	×	×	○	
	2.1 to 5.0	20 to 35	×	×	×	×	×	☉	×	×	△	○	-	×	×	△	○	×	○		
36 to 50		×	×	×	×	×	○	×	×	×	○	-	×	×	×	×	△	×	○		
51 or over		×	×	×	×	×	○	×	×	×	○	-	×	×	×	×	×	×	○		
5.1 to 10	20 to 35	×	×	×	×	×	○	×	×	×	○	-	×	×	×	○	×	○			
	36 or over	×	×	×	×	×	○	×	×	×	○	-	×	×	×	×	×	○			
11 to 13	20 to 35	×	×	×	×	×	△	×	×	×	○	-	×	×	×	×	△	×	○		
	36 or over	×	×	×	×	×	×	×	×	×	○	-	×	×	×	×	×	×	○		

DIAPHRAGM VALVE
MANUALLY OPERATED DIAPHRAGM VALVES
PNEUMATICALLY OPERATED ON-OFF DIAPHRAGM VALVES
PNEUMATICALLY OPERATED TYPE FLOW CONTROL DIAPHRAGM VALVE
ELECTRICALLY OPERATED DIAPHRAGM VALVE
INTRODUCTION OF RELATED PRODUCTS
REFERENCE MATERIALS
SAFETY INSTRUCTIONS

Material evaluation symbol

◎: Comprehensively recommended ○: Applicable △: Conditionally applicable ×: Inapplicable -: Applicability unknown

Fluid name	Concentration%	Temperature°C	Main body material code*1												Diaphragm material code*2						
			01	04	07	12	13	30	33	35	36	40	59	60	80	NR	CR	BG	EP	AB	TX
Nitric acid	0.5 or under	20 to 35	×	×	○	○	○	◎	○	○	○	○	○	○	-	○	○	○	◎	○	○
		36 to 50	×	×	○	○	○	◎	△	△	○	○	○	○	-	○	○	○	◎	△	○
		51 to 80	×	×	◎	○	○	×	×	×	×	○	○	○	-	×	×	×	○	×	◎
		81 or over	×	×	◎	○	○	×	×	×	×	○	○	○	-	×	×	×	×	×	◎
	0.6 to 10	20 to 35	×	×	○	○	○	◎	×	×	×	△	○	○	-	△	△	△	◎	×	○
		36 to 50	×	×	○	○	○	◎	×	×	×	×	○	○	-	×	×	×	◎	×	◎
		51 or over	×	×	◎	○	○	×	×	×	×	○	○	△	-	×	×	×	×	×	◎
		20 to 35	×	×	◎	○	○	△	×	×	×	×	○	○	-	×	×	×	○	×	◎
	11 to 20	36 to 50	×	×	○	○	○	◎	×	×	×	×	○	○	-	×	×	×	◎	×	◎
		51 or over	×	×	◎	○	○	×	×	×	×	○	○	○	-	×	×	×	×	×	◎
		20 to 60	×	×	◎	○	○	×	×	×	×	×	○	○	-	×	×	×	×	×	◎
		61 or over	×	×	△	△	△	△	×	×	×	×	○	◎	△	-	×	×	×	×	◎
Sodium hydroxide (caustic soda)	5 or under	20 to 50	○	○	○	○	○	◎	○	○	○	×	○	○	×	◎	○	○	○	○	○
		51 to 80	○	○	○	○	○	◎	×	○	○	×	○	○	×	○	○	△	◎	△	○
		81 to 100	○	○	○	○	○	×	×	×	△	×	◎	○	×	×	×	×	△	×	◎
	6 to 10	20 to 50	○	○	○	○	○	◎	○	○	○	×	○	○	×	◎	○	○	△	◎	○
		51 to 80	○	○	○	○	○	◎	×	○	○	×	○	○	×	○	○	△	◎	△	○
		81 to 100	○	○	○	○	○	×	×	×	△	×	◎	○	×	×	×	×	△	×	◎
	11 to 20	20 to 50	○	○	○	○	○	◎	○	○	○	×	○	○	×	◎	○	○	△	◎	○
		51 to 80	○	○	○	○	○	◎	×	○	○	×	○	○	×	○	○	△	◎	△	○
		81 to 100	○	○	○	○	○	◎	×	○	○	×	○	○	×	○	○	△	◎	△	○
	21 to 40	20 to 50	○	○	○	○	○	◎	○	○	○	×	○	○	×	◎	○	○	△	◎	○
		51 to 80	△	△	○	○	○	◎	×	○	○	×	○	○	×	△	△	△	◎	△	○
		81 to 100	△	△	△	△	△	×	×	×	△	×	◎	○	×	×	×	×	△	×	◎
	41 to 50	20 to 50	△	△	○	○	○	◎	○	○	○	×	○	○	×	◎	○	○	△	◎	○
		51 to 80	△	△	△	△	△	◎	×	○	○	×	○	○	×	△	△	△	◎	△	○
		81 to 100	△	△	△	△	△	×	×	×	△	×	◎	○	×	×	×	×	△	×	◎
	51 to 60	20 to 50	△	△	○	○	○	◎	○	○	○	×	○	○	×	◎	△	△	◎	△	○
51 to 80		×	×	△	△	△	◎	×	○	○	×	○	○	×	○	×	×	○	×	◎	
81 to 100		×	×	×	×	×	×	×	×	×	×	◎	○	×	×	×	×	×	×	◎	
Phthalic acid (alcoholic solution)	10 or under	20 to 60	△	△	○	○	◎	△	×	×	×	×	◎	○	-	×	×	×	△	-	
Hydrofluoric acid	1 or under	20 to 60	×	×	×	×	×	×	×	×	×	×	○	◎	-	×	×	×	×	×	◎
		61 to 80	×	×	×	×	×	×	×	×	×	×	○	◎	-	×	×	×	×	×	◎
	2 to 5	20 to 60	×	×	×	×	×	×	×	×	×	×	○	◎	-	×	×	×	×	×	◎
		61 to 80	×	×	×	×	×	×	×	×	×	×	○	◎	-	×	×	×	×	×	◎
	6 to 9	20 to 60	×	×	×	×	×	×	×	×	×	×	○	◎	-	×	×	×	×	×	◎
		61 to 80	×	×	×	×	×	×	×	×	×	×	○	◎	-	×	×	×	×	×	◎
	10 to 30	20 to 60	×	×	×	×	×	×	×	×	×	×	○	◎	-	×	×	×	×	×	◎
61 or over		×	×	×	×	×	×	×	×	×	×	○	◎	-	×	×	×	×	×	◎	
30 or under	20~100	×	×	×	×	×	×	×	×	×	×	○	◎	-	×	×	×	×	×	◎	
	20 to 80	△	△	○	○	◎	○	○	○	○	○	○	○	-	◎	○	○	○	-	○	
Sulfuric acid	20 or under	20 to 60	×	×	×	×	×	◎	○	○	○	○	○	-	◎	○	○	○	×	○	
		61 to 70	×	×	×	×	×	◎	△	△	△	○	○	○	-	○	○	△	◎	×	○
		71 to 90	×	×	×	×	×	×	×	×	×	○	◎	○	-	×	×	×	×	×	◎
	21 to 50	20 to 60	×	×	×	×	×	◎	○	○	○	○	○	○	-	○	○	○	○	×	○
		61 to 70	×	×	×	×	×	◎	×	△	△	△	○	◎	-	△	△	△	◎	×	◎
	51 to 80	20 to 70	×	×	×	×	×	×	×	×	×	○	◎	○	-	×	×	×	×	×	◎
		71 to 90	×	×	×	×	×	×	×	×	×	○	◎	○	-	×	×	×	×	×	◎
	81 to 97	20 to 90	×	×	×	×	×	×	×	×	×	○	◎	○	-	×	×	×	×	×	◎
		20 to 35	◎	○	○	○	○	×	×	×	×	×	○	◎	-	×	×	×	×	×	◎
	98 or over	36 or over	△	△	△	△	△	×	×	×	×	×	○	◎	-	×	×	×	×	×	◎
20		○	○	○	○	○	×	×	×	×	○	◎	○	-	×	×	×	×	×	◎	
Fuming sulfuric acid	40 or under	20~40	×	×	×	×	×	○	◎	○	○	○	○	-	◎	○	○	○	○	○	
		41~60	×	×	×	×	×	◎	○	○	△	△	○	○	-	◎	○	○	△	◎	○
		61~80	×	×	×	×	×	◎	×	×	×	○	◎	○	-	△	△	△	◎	△	○
	41 to 65	20~40	×	×	×	×	×	○	◎	○	○	○	○	○	-	◎	○	○	○	△	○
		41 to 60	×	×	×	×	×	◎	○	○	△	△	○	○	-	◎	○	○	○	△	○
		61 to 80	×	×	×	×	×	◎	×	×	×	○	◎	○	-	△	△	△	◎	△	○
	66 to 85	20 to 40	×	×	×	×	×	○	◎	○	○	○	○	○	-	◎	○	○	○	△	○
		41 to 60	×	×	×	×	×	◎	○	○	△	△	○	○	-	◎	○	○	○	△	○
		61 to 80	×	×	×	×	×	◎	×	×	×	○	◎	○	-	△	△	△	◎	×	◎
	86 to 100	20 to 40	×	×	×	×	×	◎	○	△	△	△	○	○	-	◎	○	○	○	△	○
		41 to 60	×	×	×	×	×	◎	△	△	△	△	○	○	-	◎	△	○	○	△	○
		61 to 80	×	×	×	×	×	○	×	×	×	○	◎	○	-	△	×	×	△	×	◎

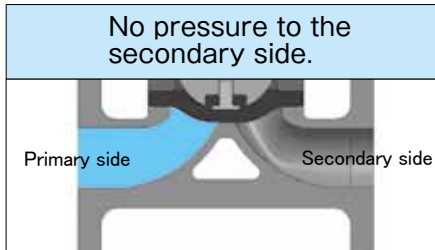
*1 : See p.10 and 15. *2 : See p.11 and 15.

[Note]

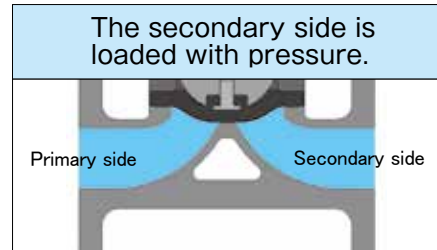
- This table is applicable only for the diaphragm valve materials used by our company. The data is not applicable to composite chemical solution. For specific chemicals, contact our Sales Dept. or local representative.
- Rubber-lined bodies are not applicable to by-product hydrochloric acid (hydrochloric acid obtained as a by-product in the manufacturing process of chloromethane, chloroform, vinyl chloride, trichloroethylene and chlorobenzene). Bodies with ETFE or PFA lining are recommended.

⑤ Actuator Selection Table

Fluid pressure stated in the actuator selection table in this catalog represents the pressure to the primary side when no pressure is applied to the secondary side (atmospheric pressure). If the secondary side is loaded with the pressure when the valve is closed, a greater output may be required. In such a case, please contact our Business Dept.



Use the selection table in this catalog.



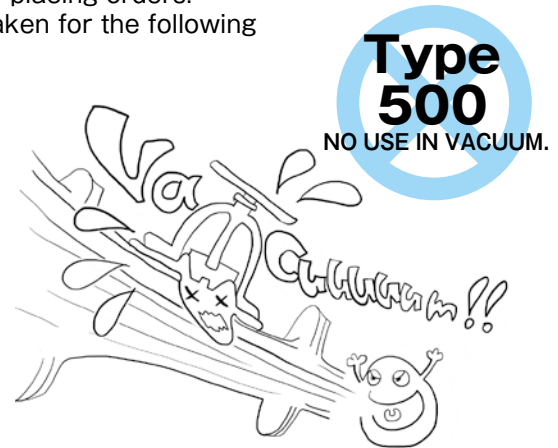
Contact us as correction is required.



SAFETY INSTRUCTIONS

1 Cautions for selecting the valve

- ① Products described in this catalog have respective range of application specified according to the official standards and our own standard. Customers are requested to check on your conditions for usage (fluid, pressure, temperature, etc.) before selecting an optimum product.
- ② Select the material for the main body (lining), diaphragm, bonnet, compressor, base and other depending on the fluid you are to handle. As to the materials for the main body (lining) and diaphragm, please refer to the material selection table in the catalog or contact us. Please note that certain types and sizes of bonnet, compressor, base, etc. are standard manufactured using aluminum alloy. Optionally these products are also manufactured using steel material (FC200, SCS13, etc). When handling some liquid that erodes aluminum alloy, using steel material is recommended for the sake of safety. Please discuss this matter when placing orders.
- ③ When using Type 500 (Straight type), care should be taken for the following matters due to valve characteristics:
 - (1) Avoid using it in a vacuum environment.
 - (2) Avoid controlling it or using it with the opening set to intermediate level.
 - (3) Avoid using it for handling a fluid of 70°C or over continuously with the valve fully open.
 - (4) Avoid using it with the valve fully closed at a discharge side of a pump for example where high pressure or pulsation is momentarily loaded.
 - (5) Avoid using it for an abrasive fluid with the valve almost fully closed.

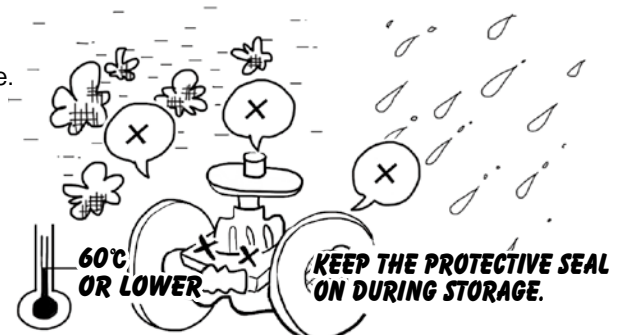


2 Cautions at Receiving and during Delivery

- ① Upon receipt of valves, check that the product and quantity are as ordered. Also check if the package and packing are undamaged.
- ② Certain items weigh heavy. When unloading or delivering the product, mind the safety by using an appropriate hoisting machines, etc. in conformity to Occupational Safety and Health Act or equivalent law. Never enter directly below a hoisted product package or operate the hoist from under the raised package.
- ③ If wetted, cardboard boxes may lose packing strength. In such a case, handle them with utmost care.
- ④ When handling a main body with the lining of hard rubber or glass lining or ceramic body, handle carefully and protect it from a strong impact or the lining may be damaged.

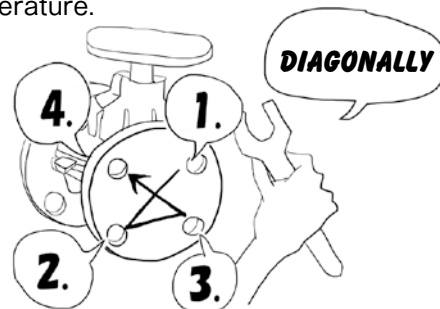
3 Cautions for Storage

- ① Users are recommended to keep the product in packed state until starting installation to the piping.
- ② When storing the valve in unpacked condition for a period of time, always keep the protective seal (a cap) on to the face of the flange for piping.
- ③ To prevent the valve from rust or rubber and plastic material from degradation, store the valve in the following conditions:
 - (1) Keep away from the rainwater.
 - (2) Keep away from direct sunlight.
 - (3) Keep it at the ambient temperature of 60°C or lower.
 - (4) Keep away from high humidity and dusty atmosphere.



4 Cautions for Installation to the Piping

- ① Remove the protective seal (a cap) from the connecting flange face of the main body. Check the inside of the valve for any contamination or attachment of foreign matters. Also check the piping system to connect the valve to for cleanliness and any foreign matters. Apply a gas blowing or liquid flushing as may be needed. Foreign matters inside the valve if any may cause leakage when caught between the valve base of the main body and the diaphragm.
- ② Provide a space around the valve necessary for overhauling. Such a space should allow to replace the diaphragm with the main body remaining connected to the piping. Particularly, when hoisting the bonnet, necessary space must be provided for the hoisting operation.
- ③ When installing the valve to the piping, prevent it from receiving abnormal tension, compression or bending stress.
- ④ In the case of a flat face flange, use a gasket that fully covers the flange face. If a soft rubber-lined body is covered with a gasket that fails to cover the flange face completely, the lining may be damaged or leakage may occur.
- ⑤ Use rubber gasket to the rubber-lined main body.
- ⑥ For connection to the piping, use the bolts of a length that makes no contact with the bonnet flange or use continuous thread studs and adjust the length of the protruding head of the stud. Tightening the bolt in contact with the bonnet flange may cause external leakage or damage the bonnet, causing the valve failure.
Particular care is required to the contact of the bonnet flange with the piping bolt when installing a valve of DN15 to 80 to the piping.
Users are recommended to use a double-end stud for the piping bolt and the nut of Style 1 (JIS B 1181), Class 1 or 2 (JIS B 1181 Attachment 1). Make adjustment to prevent contact between the bonnet flange and the piping bolts.
Adjustment position should read a position where the end face of the bolt is flush with the end face of the nut. (Select a bolt so that the fit length of the thread will be definitely at least 80% or higher of the height of the nut.)
- ⑦ When installing the valve to the piping, tighten individual bolts alternately and diagonally under identical torque. Unevenly clamped bolts may cause leakage from the connecting flange face.
- ⑧ Products with the air vent port (manually operated valve of DN125 and over, pneumatically operated valve and electrically operated valve) should be protected from the entry of rainwater, etc. through the port.
- ⑨ When connecting the valve with welded joint, always remove the bonnet including the diaphragm from the main body before welding. Reinstall the bonnet and all including the diaphragm after the temperature of the welded portions reaches the normal temperature.
- ⑩ Care should be given to the following points for wiring:
 - (1) Before closing the switch cover, make sure that the gasket is perfectly applied and the mating face is cleaned. Close the switch cover by tightening the mounting bolts steadily.
 - (2) Outlet port for the outside lead wire should be made rainwater-proof.
 - (3) Always keep the switch cover closed.
 - (4) Positively never carry on outdoor wiring work in the rain.
 - (5) After making wire connection, always check operation.



5 Cautions for Machine Operation

- ① Opening/closing the valve with part of an operator's body or wear carelessly in contact with the moving parts inside or outside of the valve may lead to a serious injuries. Never touch the inside or moving parts of the valve.
- ② When opening/closing the valve, don't operate the handwheel by hooking an auxiliary pipe or wrench on it. Or an excessive load will be applied to the valve component possibly to damage it.
- ③ When operating the handwheel to close the valve, stop the closing operation at maximum 15 to 20 degrees after sensing the valve resistance to the closing motion.
Excessive tightening may cause a shorter diaphragm life. Particular care is required when handling a fluid in high temperature.
- ④ If the handwheel operation is felt heavier in the middle of a valve closing operation, certain foreign matters might have been caught with the valve seat. In such a case, open the valve once, let the fluid flow through, and check if the foreign matters are washed away, then start the closing operation again.
- ⑤ If ambient temperature or fluid temperature changes greatly while the fluid is sealed inside the piping, thermal expansion of the fluid causes the pressure to change, possibly leading to external leakage or damaged diaphragm.

SAFETY INSTRUCTIONS

In addition, if the valve is operated to open/close while the valves before and after the diaphragm valve are closed and the inside fully filled with the fluid, the same phenomenon may occur, for which care should be taken.

- ⑥ If the fluid fully inside the valve is frozen, the valve may be freeze-fractured. For application in an environment where freezing may likely happen, take anti-freeze measures by providing the piping with thermal insulation or if the valve is not in use, to extract liquid from inside the valve, etc.
- ⑦ Rubber is used for the material of diaphragm. The nuts that clamp the diaphragm may be loosened due to vibration during transportation or stress relaxation after a long period of operation. In such a case, render the diaphragm unloaded by nullifying the fluid pressure, then apply prescribed torque to tighten the nuts to the required level.

6 Cautions for the Actuators of Pneumatically, Electrically Operated Valve

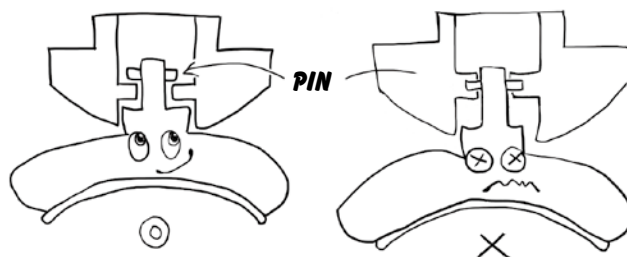
- ① Protective sealing (cap) is provided to the air intake port and the electric wiring connection port. Don't remove the sealing (cap) until the connection joint is installed.
- ② Actuators are shipped factory-adjusted. Don't disassemble and reassemble them. If any adjustment is required, please contact us.
- ③ Dehumidify the air and filter it clean before leading to the valve for application.
- ④ For the operating pressure and power supply, see the nameplate or the specifications of delivered product.
- ⑤ Protect the products with the air vent port against the entry of rainwater.

7 Cautions for Disassembly and Assembly

This is general information. Do not disassemble before you read necessary manual in details.

- ① When removing or disassembling the valve, ensure the following matters or you may be risking a serious hazard:
 - (1)The object valve should have been separated from other piping.
 - (2)The fluid pressure and temperature inside the piping and the valve should be atmospheric and normal.
 - (3)There remains no residual fluid inside the piping, and no fluid leakage occurs when the mounting bolts and nuts are loosened.
- ② Provide maintenance work for the diaphragm and actuator periodically.
 - (1)Rubber diaphragm is screwed in. When mounting to the compressor, apply appropriate pressure to screw it in. Slightly bring it back from where it stopped to align the bolt hole positions.
 - (2)PTFE diaphragm is of a bayonet type. To install to the compressor, push the center of a diaphragm firmly with fingertips. Ensure that the pin has fully entered the compressor before turning it 90 degrees clockwise or counterclockwise.
In the case of a reverse seat type diaphragm, turn it over before installation. Turning the diaphragm before the pin fully enters the compressor may damage the pin.
 - (3)When reassembling to the valve, run centering, and tighten the bolts and nuts evenly by applying prescribed torque.
 - (4)For detailed maintenance instructions, see the instruction manual or contact our Sales Dept. or local representative.

Fully insert
the pin



- The ISO 9001·14001 certificate was awarded



ISO 9001 99QR-167
ISO 14001 08ER-701

CAUTION

Specifications and performance figures of products contained in this catalog are based on the design calculations, in-house tests, actual records of product application, and the official standards and specifications. They are presented as the user guide on the use of product concerned under general service conditions. Users intending to use the product under a special condition are required to receive engineering advice from this company in advance or to make their own studies and evaluation to verify performance on their own responsibility. This company shall not be liable for any damages, material or human, that may arise without following this procedure. Inasmuch as full care was taken in editing this catalog, users are kindly requested to make contact with this company for any questions or discrepancies found. This catalog is subject to change without notice for the purpose of correcting error, supplementing or improving insufficient content, updating the content to the improved product performance, design change, discontinuation of product and other reasons. Revised version automatically invalidates catalogs issued prior to the current version. Check the version with our Sales Dept. or local representative before you place orders.

WARNING CAUTION

There are some instructions for use of diaphragm valve because of a constructional characteristic. When valve is delivered, the leaflet related to instruction on Safety is bundled. Please read this instruction thoroughly before beginning of use and handling to use your product safely and stably for a prolonged life.

NDV NIPPON DAIYA VALVE CO., LTD.

Head Office ————— 1-3-22, Hiro-machi, Shinagawa-ku, Tokyo 140-0005

Tokyo Sales Department — TEL. TOKYO (03)3490-4801 FAX. TOKYO (03)3490-7950

International Sales Department — TEL. TOKYO (03)5434-5330 FAX. TOKYO (03)5434-5331

Nagoya Branch ————— 3-2108, Nakajima-shincho, Nakagawa-ku, Nagoya-shi, Aichi 454-0932
TEL. AICHI (052)354-3171 FAX. AICHI (052)354-3174

Osaka Branch ————— Takakura Bldg., 2-5-9, Awaji-machi, Chuo-ku, Osaka-shi, Osaka 541-0047
TEL. OSAKA (06)6203-7721 FAX. OSAKA (06)6222-5895

Okayama Branch ————— Ima 8-chome No.2 Bldg.,3-35, Ima 8-chome,Kita-ku Okayama-shi,Okayama 700-0975
TEL. OKAYAMA (086)241-2669 FAX. OKAYAMA (086)244-3540

Kitakyushu Branch ————— 2-2-4, Tate-machi, Kokurakita-ku, Kitakyushu-shi, Fukuoka 803-0818
TEL. FUKUOKA (093)571-2438, FAX. FUKUOKA (093)591-3277

<http://www.ndv.co.jp>