

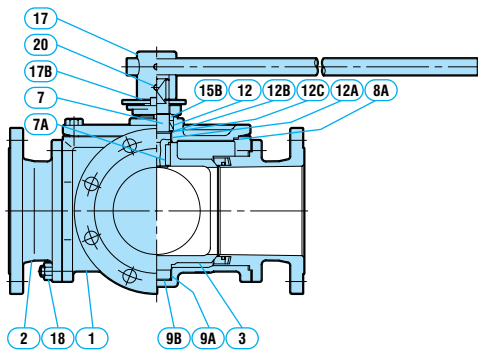
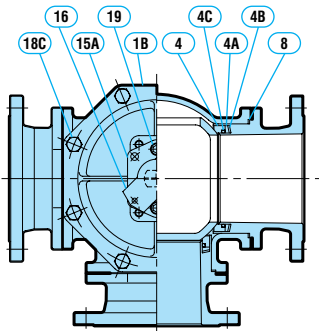
2-3 3 Seats 3-Way Ball Valve: E300N-T3/L3

Structure and Features

T-Port type is NDV standard but L-Port type is also available.  
The valve is used for switching, separating or mixing fluid.

Parts and Materials

The materials of the components are as below as far as there are no special requests.



This valve is not compatible with E300NB-L2 in face to face dimension and parts.

Remarks

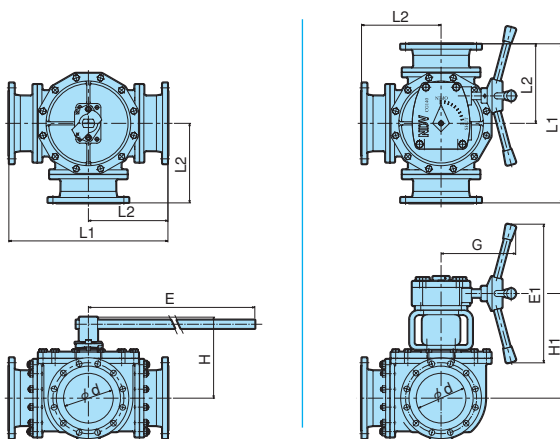
- (\*1) Fluid temperature is up to 80°C
  - (\*2) Fluid temperature is up to 150°C
- For (\*1) and (\*2), if the fluid is solvent, the materials may not be used.

Applicable Class (DN125 to 200)

Body Material	Class
FCD-S, SCS13	JIS10K, CL150
SCS14, SCS16	JIS10K, CL150

Parts	Material			
	E304N-T3/L3	E307N-T3/L3	E312N-T3/L3	E313N-T3/L3
1 Body	FCD-S	SCS13	SCS14	SCS16
1B Cover	FCD-S	SCS13	SCS14	SCS16
2 Body Connector	FCD-S	SCS13	SCS14	SCS16
3 Ball	SCS13		SCS14	SCS16
4 Seat	NTF, CF, GR			
4A Spacer	SUS304		SUS316	SUS316L
4B Spring	SUS329J3L			
4C O-Ring	NBR (*1)	FKM (*2)		
7 Stem	SUS420J2	SUS304	SUS316	SUS316L
7A Key	SUS304		SUS316	SUS316L
8 Gasket	PTFE			
8A Gasket	PTFE			
9A Bearing	PTFE			
9B Thrust Washer	PTFE			
12 Packing	PTFE			
12A Bearing	PTFE			
12B Thrust Washer	PTFE			
12C Washer	SUS304		SUS316	SUS316L
15A Gland Flange	FCD400	SCS13		
15B Gland	SUS304			
16 Travel Stop	SUS304			
17 Lever	FCD400 & STK50			
17B Retaining Ring	SUS304			
18 Stud Bolt/Nut	SS400	SUS304		
18C Bolt	SS400	SUS304		
19 Cap Screw	S45C	SUS304		
20 Set Screw	SUS304			

Dimension



Unit: mm

Nominal size DN	d	L1	L2	H	E	H1	G	E1	Mass (Approx. kg)	
									Stainless Cast Steel	
									10K	10K
									Lever Operated	Gear Operated
125	127	430	215	260	800	340	230	460	82.5	110.0
150	152	500	250	275		352			104.0	132.0
200	203	650	325	335	1100	434	260		177.0	226.0