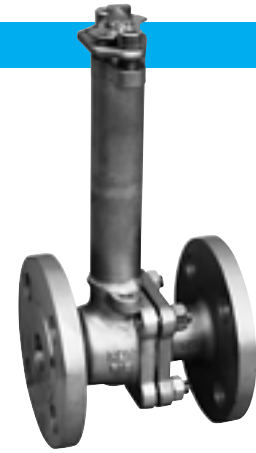


1-4 Extended Gland Ball Valve

Structure and Features

Extended Gland is designed for valve with insulation material or valve used for high or low temperature fluid which causes valve deterioration. Since the stem is extended, operation (open/close), as well as additional screw tightening for gland packing, is easy.



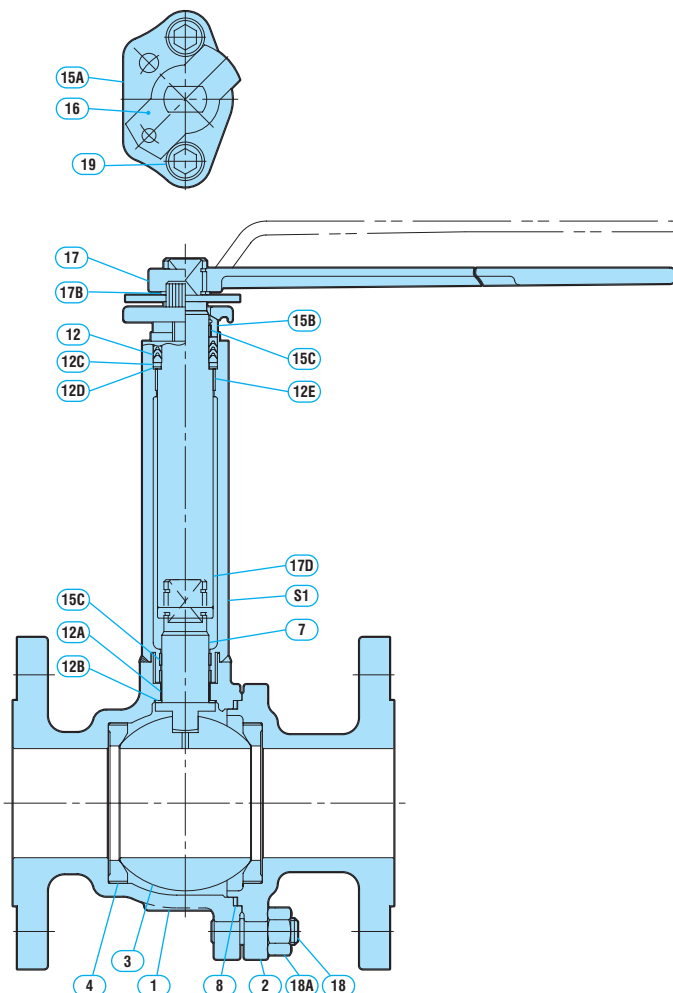
Specification

FEX100NB | Full Port | Floating Ball

Nominal Size	DN15 to 150
Face to Face dimension	Conforming to ISO 5752
Connection	Flange JIS10K, 20K (*1), Class (ASME,JPI) 150,300 (*2)
Body Material	SCS13A (CF8), SCS14A (CF8M), SCS16A (CF3M)
Ball Material	SCS13A (SUS304), SCS14 (SUS316), SCS16A (SUS316L)
Seat Material	NTF, NCF, CFM, CFMR, CFMO (refer to page 10)
Operation Type	Lever, Gear, Pneumactical, Electrical

Note: Above specification is for fire safe type ball valve F100NB
 Extended Gland for other types are available upon request.
 *1: JIS B2220 *2: ASME B16.5

Parts and Materials



Parts	Material		
	FEX107NB	FEX112NB	FEX113NB
1 Body	SCS13A	SCS14A	SCS16A
2 Cap	SCS13A	SCS14A	SCS16A
3 Ball	SCS13A or SUS304	SCS14A or SUS316	SCS16A or SUS316L
4 Seat	NTF, NCF, etc.		
7 Stem	SUS304	SUS316	SUS316L
8 Gasket	New-PTFE		
12 Packing	New-PTFE		
12A Bearing	New-PTFE		
12B Thrust Washer	New-PTFE		
12C Washer	SUS316		SUS316L
12D Thrust Washer	New-PTFE		
12E Bearing	New-PTFE		
15A Gland Flange	SCS13A		
15B Gland	SUS304		
16 Travel Stop	SUS304		
17 Lever	SCPH2		
17B Retaining Ring	SUS304		
17D Extended Rod	SUS304	SUS316	SUS316L
18 Stud Bolt	SUS304		
18A Nut	SUS304		
19 Cap Screw	SUS304		
S1 Extended Gland	SCS13A or SUS304	SCS14A or SUS316	SCS16A or SUS316L

Valve Codes

Valve Code for FEX100NB

FEX107NB-NTF-050-J10KRF



① Body Material

07	SCS13A
12	SCS14A
13	SCS16A

② Seat Material (Refer to Page 10)

NTF, NCF, NGR, CFM, CFMR

③ Nominal Size (DN or A)

Conforming to ISO6708 and JIS B2001

④ Connection

J10KRF	JIS 10KRF
J20KRF	JIS 20KRF
A150RF	ASME CL150
A300RF	ASME CL300

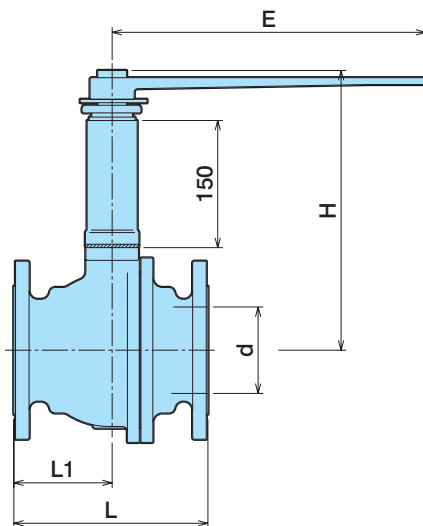
* Improvement Identification Code

None	Original Design
N	First Improvement
NB	Second Improvement
NC	Third Improvement
ND	Fourth Improvement

Dimension

FEX100NB

Unit: mm



Nominal DN	d	L		L1		H	E		Mass (Approx. kg)	
		10K CL150	20K CL300	10K CL150	20K CL300		10K CL150	20K CL300	10K CL150	20K CL300
15	13	108	140	45	63	230	130	130	2.6	3.1
20	19	117	152	50	70	235			3.1	3.7
25	25	127	165	51	71	250	160	160	5.0	5.8
40	38	165	190	70.5	76.5	265	230	230	8.2	9.3
50	51	178	216	80.5	86	270			10.0	11.9
65	64	190	241	87	103	285	350	350	16.0	20.0
80	76	203	283	97	124	295			19.0	26.0
100	102	229	305	116	135	330	450	450	30.0	42.0
125	127	356	381	148	158	410			650	800
150	152	394	403	173	178	430	67.0	81.8		