

1-2 High Pressure / Large Bore Valve: E(K)100S

Structure and Features

Trunnion Type Ball Valve is mainly used for high pressure fluid with sludge in addition to the other general use.

High pressure valve: JIS30K(CL600) or more.

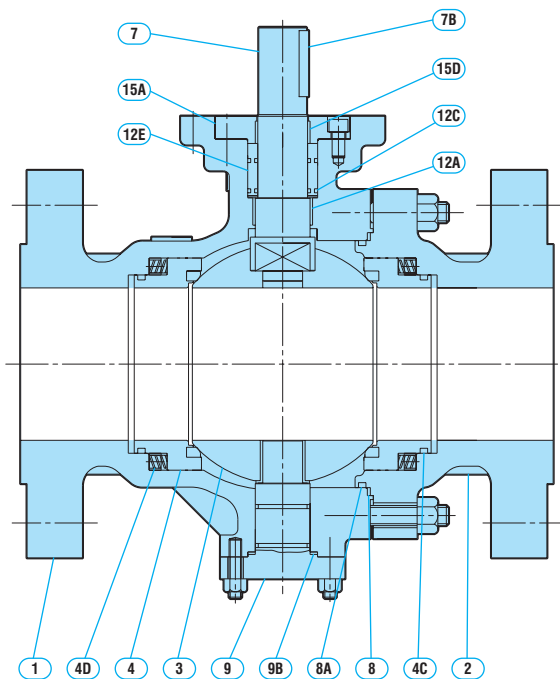
Large Bore valve: DN250 or more.



Nominal Size	DN15 to 500, (DN15 to 50: Floating Ball Type)
Body Material	SCPH2 (WCB), SCS13A (CF8), SCS14A (CF8), SCS16A (CF3M)
Seat Material	PTFE, Reinforced PTFE
Connection	Flange JIS10K, 20K, 30K, 40K, 63K (*1) Class (ASME, JPI) 150, 300, 600, 900 (*2)
Operation Type	Gear (DN50 or more of JIS40K, CL600) Pneumatical, Electrical

*1: JIS B2220 *2: ASME B16.5

Parts and Materials (Reference)



Parts	Material			
1 Body	SCPH2	SCS13A	SCS14A	SCS16A
2 Cap	SCPH2	SCS13A	SCS14A	SCS16A
3 Ball	SCS13A		SCS14A	SCS16A
4 Seat	Carbon Reinforced PTFE			
4C O-Ring	NBR	FKM		
4D Spring	SUS304WPB		Inconel X-750	
7 Stem	SUS304		SUS316	SUS316L
7B Key	S45C-H			
8 Gasket	SUS304 & Expanded Graphite		SUS316 & Expanded Graphite	
8A O-Ring	NBR	FKM		
9 Trunnion	SCS13A		SCS14A	SCS16A
9B Gasket	SUS304 & Expanded Graphite		SUS316 & Expanded Graphite	
12A Bearing	SPCC *	SUS316 & PTFE		
12C O-Ring	NBR	FKM		
12E Sleeve	SUS304		SUS316	SUS316L
15A Gland	S20C	SUS304		
15D Bearing	SPCC *			

* SPCC (Galvanized) & PTFE coating

For further technical details and specifications, Please contact NDV or local representative.