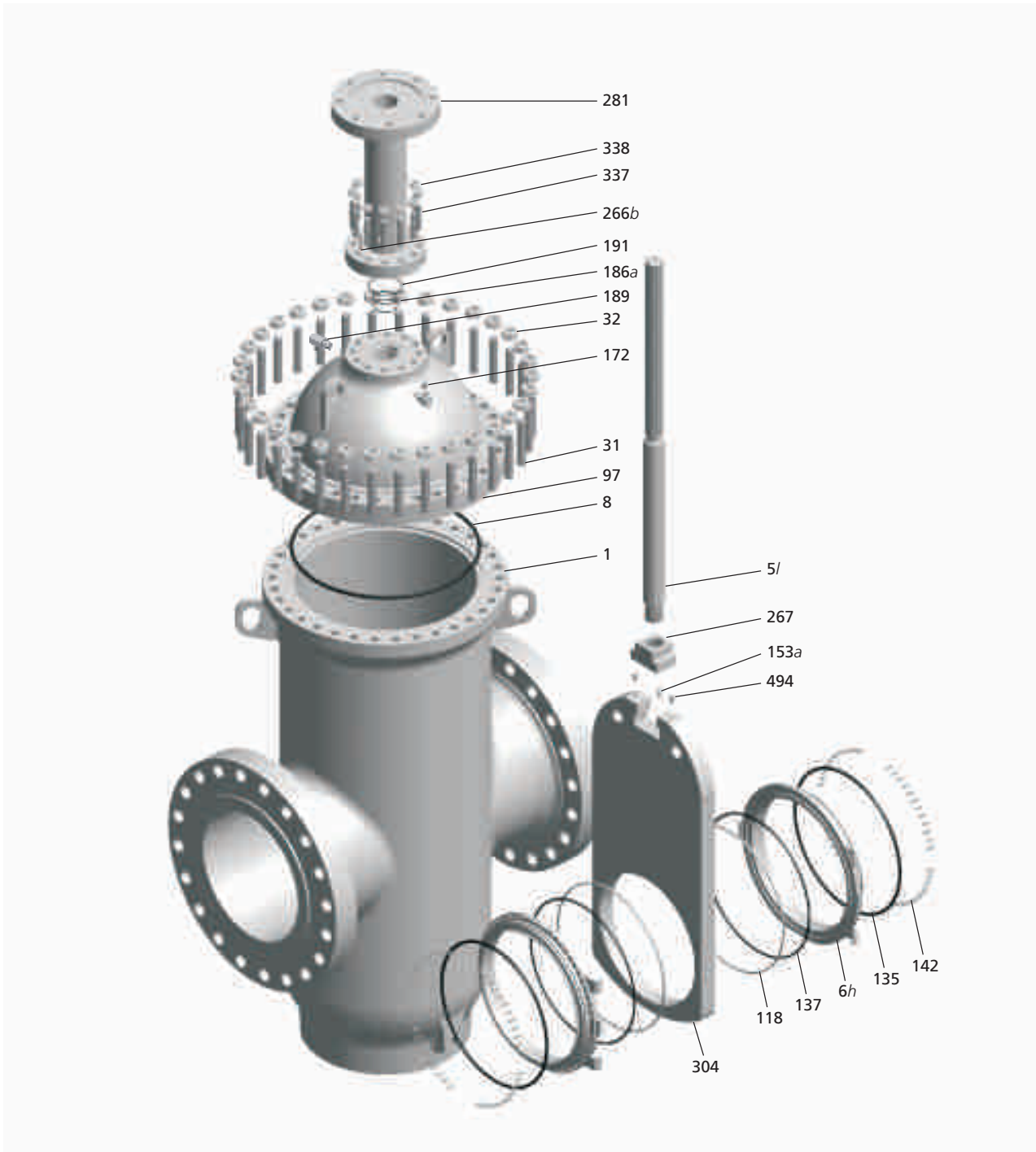


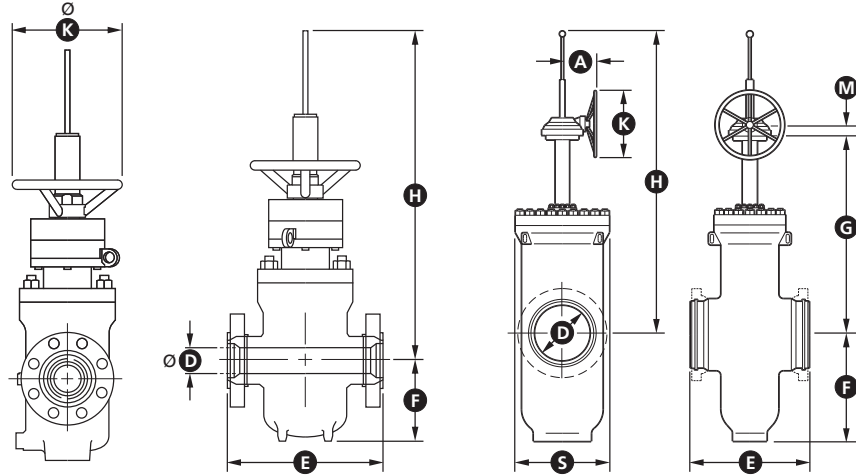
### G12 VALVE ASSEMBLY



Item	Description	118	Seat Ring	191	Lower Extension O-Ring
1	Body	135	Seat Gasket O-Ring	266 <i>b</i>	Adapter Plate Stop Spring Pin
5/	Stem	137	Seal O-Ring	267	Stem Head
6 <i>h</i>	Seat	142	Cylindrical Spring	281	Yoke Unit
8	Body O-Ring	153 <i>a</i>	Driver Safety Pin	304	Gate
31	Body Stud	172	Vent Plug	337	Yoke Stud
32	Body Stud Nut	186 <i>a</i>	Stem Seal Gasket	338	Yoke Stud Nut
97	Bonnet	189	Stem Grease Fitting	494	Adjusting Screw

**G12  
ASME CLASS 900**

Larger on request.  
Reduced-bore valves  
also available.



FROM 2 in. (50 mm) TO 4 in. (100 mm)

FROM 6 in. (150 mm) AND ABOVE

**DIMENSIONS & WEIGHTS**

SIZE in. (mm)	D	E			F	G	S	H	A	K	M	WEIGHT lb. (kg)	
		WE	RF	RTJ								WE	RF/RTJ
2 (50)	2 (51)	14 1/2 (368)	14 1/2 (368)	14 5/8 (371)	5 1/2 (142)	-	-	21 5/8 (550)	-	13 3/4 (350)	-	-	159 (72)
3 (80)	3 (76)	15 (381)	15 (381)	15 1/8 (384)	7 1/4 (184)	-	-	26 (660)	-	11 3/4 (300)	-	-	240 (109)
4 (100)	4 (102)	18 (457)	18 (457)	18 1/8 (460)	11 5/8 (295)	-	-	30 3/4 (780)	-	13 3/4 (350)	-	-	381 (173)
6 (150)	6 (152)	24 (610)	24 (610)	24 1/8 (613)	14 3/8 (364)	25 3/8 (645)	13 (330)	44 5/8 (1132)	7 7/8 (200)	11 3/4 (300)	2 1/4 (56)	928 (421)	977 (443)
8 (200)	8 (203)	29 (737)	29 (737)	29 1/8 (740)	18 1/2 (470)	33 1/2 (850)	16 7/8 (430)	55 1/2 (1410)	8 5/8 (220)	19 5/8 (500)	2 7/8 (74)	1481 (672)	1559 (707)
10 (250)	10 (254)	33 (838)	33 (838)	33 1/8 (841)	21 5/8 (550)	39 3/8 (1000)	20 1/8 (510)	66 1/2 (1690)	9 1/2 (241)	19 5/8 (500)	3 5/8 (92)	2166 (983)	2280 (1034)
12 (300)	12 (305)	38 (965)	38 (965)	38 1/8 (968)	23 1/4 (590)	44 3/8 (1127)	22 7/8 (580)	77 1/4 (1963)	12 5/8 (320)	19 5/8 (500)	4 (102)	3601 (1634)	3791 (1720)
14 (350)	12 3/4 (324)	40 1/2 (1029)	40 1/2 (1029)	40 7/8 (1038)	27 1/2 (700)	51 5/8 (1310)	26 3/8 (670)	87 3/8 (2220)	12 5/8 (320)	19 5/8 (500)	4 (102)	5187 (2353)	5459 (2476)
16 (400)	14 3/4 (375)	44 1/2 (1130)	44 1/2 (1130)	44 7/8 (1140)	28 1/2 (724)	54 1/4 (1377)	28 1/8 (714)	93 7/8 (2386)	12 5/8 (320)	19 5/8 (500)	4 (102)	5760 (2613)	6063 (2750)
18 (450)	16 3/4 (425)	48 (1219)	48 (1219)	48 1/2 (1232)	35 3/8 (900)	63 3/4 (1620)	33 1/8 (840)	108 5/8 (2760)	16 1/8 (410)	31 1/2 (800)	4 1/2 (115)	7882 (3575)	8297 (3763)
20 (500)	18 5/8 (473)	52 (1321)	52 (1321)	52 1/2 (1334)	38 5/8 (980)	70 7/8 (1800)	36 5/8 (930)	119 5/8 (3040)	16 1/8 (410)	31 1/2 (800)	4 1/2 (115)	9549 (4331)	10051 (4559)
22 (550)	20 5/8 (524)	* (1380)	* (1380)	* (1393)	42 1/2 (1080)	76 3/4 (1950)	39 3/4 (1010)	129 7/8 (3300)	17 7/8 (453)	31 1/2 (800)	5 7/8 (150)	11823 (5363)	12445 (5645)
24 (600)	22 1/2 (572)	61 (1549)	61 (1549)	61 3/4 (1568)	46 1/8 (1170)	82 5/8 (2100)	43 1/4 (1100)	140 1/2 (3570)	19 5/8 (500)	31 1/2 (800)	6 1/8 (155)	15330 (6954)	16137 (7320)
26 (650)	24 3/8 (619)	* (1600)	* (1600)	* (1613)	49 1/4 (1250)	89 (2260)	46 1/2 (1180)	151 5/8 (3850)	19 5/8 (500)	31 1/2 (800)	6 1/8 (155)	18042 (8184)	18991 (8614)
28 (700)	26 1/4 (667)	* (1700)	* (1700)	* (1713)	53 1/8 (1350)	94 7/8 (2410)	49 5/8 (1260)	160 5/8 (4080)	26 (660)	31 1/2 (800)	8 1/2 (215)	21693 (9840)	22835 (10358)
30 (750)	28 1/8 (714)	* (1800)	* (1800)	* (1813)	56 3/4 (1440)	101 5/8 (2580)	53 1/8 (1350)	166 7/8 (4240)	26 (660)	31 1/2 (800)	8 1/2 (215)	25996 (11792)	27364 (12412)
32 (800)	30 7/8 (762)	* (1900)	* (1900)	* (1913)	60 1/4 (1530)	107 1/2 (2730)	56 1/4 (1430)	177 1/8 (4500)	-	-	-	30913 (14022)	32540 (14760)
34 (850)	31 3/4 (810)	* (2000)	* (2000)	* (2013)	63 3/4 (1620)	113 3/4 (2890)	59 7/8 (1520)	186 5/8 (4740)	-	-	-	37240 (16892)	39200 (17781)
36 (900)	33 5/8 (857)	* (2100)	* (2100)	* (2113)	66 1/8 (1680)	120 1/8 (3050)	63 1/4 (1605)	192 3/4 (4895)	-	-	-	42663 (19352)	44909 (20371)
38 (950)	35 1/2 (905)	* (2200)	* (2200)	* (2213)	70 1/2 (1790)	126 (3200)	66 1/8 (1680)	207 1/8 (5260)	-	-	-	50618 (22960)	53282 (24168)
40 (1000)	37 1/2 (953)	* (2300)	* (2300)	* (2313)	74 (1880)	132 5/8 (3370)	69 5/8 (1770)	213 (5410)	-	-	-	56764 (25748)	59752 (27103)
42 (1050)	39 3/8 (1000)	* (2400)	* (2400)	* (2413)	77 1/2 (1970)	139 (3530)	73 1/4 (1860)	227 1/2 (5780)	-	-	-	65080 (29520)	68505 (31074)
48 (1200)	45 (1143)	* (2500)	* (2500)	* (2513)	87 3/8 (2220)	157 1/2 (4000)	83 1/2 (2120)	258 1/4 (6560)	-	-	-	89665 (40672)	94385 (42813)

\* Upon Request

Flanges up to 24 in. (600 mm) (except 22 in. (550 mm)) in accordance with ASME B16.5;  
22 in. (550 mm) and above 24 in. (600 mm) in accordance with MSS-SP-44 if applicable.

Shaded Dimensions in accordance to ISO 14313  
Butt Welding Ends according to ASME B16.25