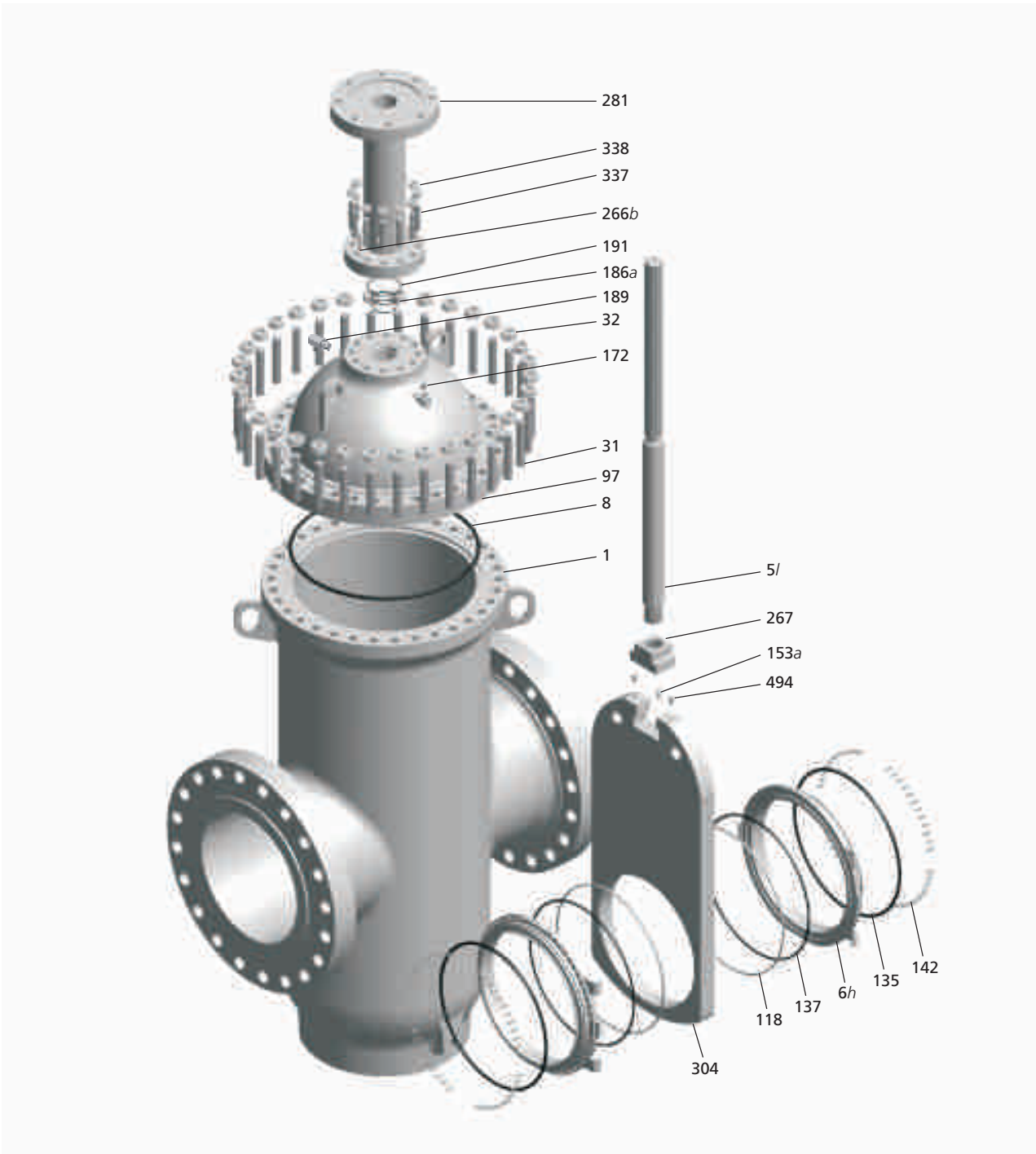


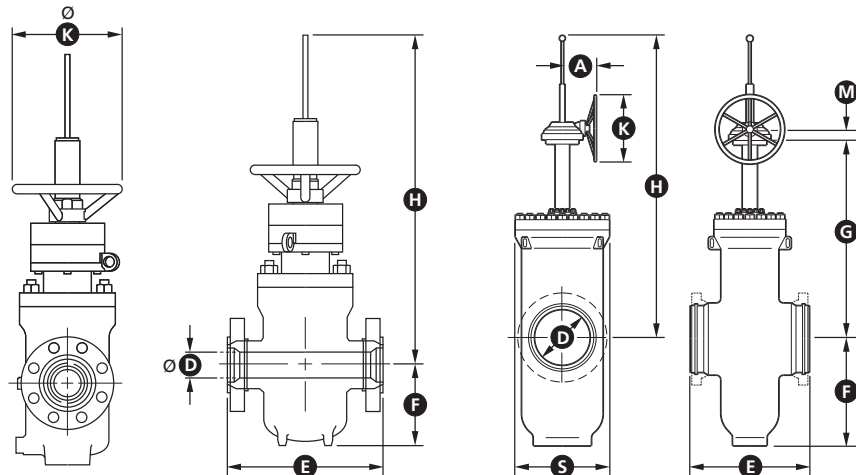
### G12 VALVE ASSEMBLY



Item	Description	118	Seat Ring	191	Lower Extension O-Ring
1	Body	135	Seat Gasket O-Ring	266 <i>b</i>	Adapter Plate Stop Spring Pin
5/	Stem	137	Seal O-Ring	267	Stem Head
6 <i>h</i>	Seat	142	Cylindrical Spring	281	Yoke Unit
8	Body O-Ring	153 <i>a</i>	Driver Safety Pin	304	Gate
31	Body Stud	172	Vent Plug	337	Yoke Stud
32	Body Stud Nut	186 <i>a</i>	Stem Seal Gasket	338	Yoke Stud Nut
97	Bonnet	189	Stem Grease Fitting	494	Adjusting Screw

**G12  
ASME CLASS 400**

Larger on request.  
Reduced-bore valves  
also available.



**DIMENSIONS & WEIGHTS**

FROM 2 in. (50 mm) TO 6 in. (150 mm)

FROM 8 in. (200 mm) AND ABOVE

SIZE in. (mm)	D	E			F	G	S	H	A	K	M	WEIGHT lb. (kg)	
		WE	RF	RTJ								WE	RF/RTJ
2 (50)	2 (51)	11 1/2 (292)	11 1/2 (292)	11 5/8 (295)	5 3/8 (137)	-	-	21 5/8 (550)	-	9 7/8 (250)	-	-	137 (62)
3 (80)	3 (76)	14 (356)	14 (356)	14 1/8 (359)	7 1/4 (184)	-	-	26 (660)	-	11 3/4 (300)	-	-	220 (100)
4 (100)	4 (102)	17 (432)	17 (432)	17 1/8 (435)	11 5/8 (295)	-	-	30 (760)	-	13 3/4 (350)	-	-	375 (170)
6 (150)	6 (152)	19 1/2 (495)	19 1/2 (495)	19 5/8 (498)	15 3/4 (400)	26 3/4 (680)	12 5/8 (320)	44 (1118)	7 7/8 (200)	11 3/4 (300)	2 1/4 (56)	463 (210)	529 (240)
8 (200)	8 (203)	23 1/2 (597)	23 1/2 (597)	23 5/8 (600)	18 7/8 (480)	31 7/8 (810)	15 3/8 (390)	55 1/8 (1400)	7 7/8 (200)	11 3/4 (300)	2 1/4 (56)	750 (340)	849 (385)
10 (250)	10 (254)	26 1/2 (673)	26 1/2 (673)	26 5/8 (676)	22 1/2 (570)	37 3/4 (960)	18 1/8 (460)	66 1/8 (1680)	7 7/8 (200)	11 3/4 (300)	2 1/4 (56)	1113 (505)	1246 (565)
12 (300)	12 (305)	30 (762)	30 (762)	30 1/8 (765)	25 5/8 (650)	43 1/4 (1100)	20 7/8 (530)	75 1/4 (1910)	8 5/8 (220)	19 5/8 (500)	2 7/8 (74)	1499 (680)	1687 (765)
14 (350)	13 1/4 (337)	32 1/2 (826)	32 1/2 (826)	32 5/8 (829)	29 1/8 (740)	49 1/4 (1250)	22 7/8 (580)	84 5/8 (2150)	8 5/8 (220)	19 5/8 (500)	2 7/8 (74)	2227 (1010)	2491 (1130)
16 (400)	15 1/4 (387)	35 1/2 (902)	35 1/2 (902)	35 5/8 (905)	31 1/2 (800)	55 1/8 (1400)	26 3/8 (670)	94 1/2 (2400)	8 5/8 (220)	19 5/8 (500)	2 7/8 (74)	3153 (1430)	3483 (1580)
18 (450)	17 1/4 (438)	38 1/2 (978)	38 1/2 (978)	38 5/8 (981)	34 1/4 (870)	61 (1550)	28 3/4 (730)	104 3/4 (2660)	9 1/2 (241)	19 5/8 (500)	3 5/8 (92)	4277 (1940)	4674 (2120)
20 (500)	19 1/4 (489)	41 1/2 (1054)	41 1/2 (1054)	41 3/4 (1060)	34 5/8 (878)	66 1/8 (1680)	32 3/4 (832)	114 1/8 (2900)	12 5/8 (320)	19 5/8 (500)	4 (102)	5512 (2500)	6063 (2750)
22 (550)	21 1/4 (540)	45 (1143)	45 (1143)	45 3/8 (1153)	41 (1040)	72 7/8 (1850)	34 1/4 (870)	124 3/8 (3160)	12 5/8 (320)	19 5/8 (500)	4 (102)	6393 (2900)	6989 (3170)
24 (600)	23 1/4 (591)	48 1/2 (1232)	48 1/2 (1232)	48 7/8 (1241)	44 1/8 (1120)	77 1/2 (1970)	37 (940)	133 7/8 (3400)	12 5/8 (320)	19 5/8 (500)	4 (102)	8179 (3710)	8929 (4050)
26 (650)	25 (635)	51 1/2 (1308)	51 1/2 (1308)	52 (1321)	47 1/4 (1200)	83 1/2 (2120)	39 3/8 (1000)	143 3/4 (3650)	16 1/8 (410)	31 1/2 (800)	4 1/2 (115)	9458 (4290)	10362 (4700)
28 (700)	27 (686)	55 (1397)	55 (1397)	55 1/2 (1410)	49 5/8 (1260)	89 (2260)	43 3/4 (1110)	153 7/8 (4700)	16 1/8 (410)	31 1/2 (800)	4 1/2 (115)	11243 (5100)	12566 (5700)
30 (750)	29 (737)	60 (1524)	60 (1524)	60 1/2 (1537)	53 1/8 (1350)	94 1/2 (2400)	45 1/4 (1150)	163 3/8 (4150)	17 7/8 (453)	31 1/2 (800)	5 7/8 (150)	13713 (6220)	14947 (6780)
32 (800)	30 3/4 (781)	65 (1651)	65 (1651)	65 5/8 (1667)	56 1/8 (1425)	100 3/8 (2550)	46 5/8 (1185)	173 5/8 (4410)	17 7/8 (453)	31 1/2 (800)	5 7/8 (150)	15256 (6920)	16639 (7547)
34 (850)	32 3/4 (832)	70 (1778)	70 (1778)	70 5/8 (1794)	59 1/2 (1510)	106 1/4 (2700)	50 3/8 (1280)	185 (4700)	17 7/8 (453)	31 1/2 (800)	5 7/8 (150)	19246 (8730)	20900 (9480)
36 (900)	34 1/2 (876)	74 (1880)	74 (1880)	74 5/8 (1895)	63 (1600)	112 1/4 (2850)	53 1/8 (1350)	193 1/4 (4910)	19 5/8 (500)	31 1/2 (800)	6 1/8 (155)	21605 (9800)	23369 (10600)
38 (950)	36 1/2 (927)	*	*	*	66 1/8 (1680)	118 1/8 (3000)	55 7/8 (1420)	204 3/8 (5190)	19 5/8 (500)	31 1/2 (800)	6 1/8 (155)	26455 (12000)	27998 (12700)
40 (1000)	38 1/2 (978)	*	*	*	67 3/4 (1720)	123 5/8 (3140)	57 1/8 (1450)	212 1/4 (5390)	19 5/8 (500)	31 1/2 (800)	6 1/8 (155)	29542 (13400)	30864 (14000)
42 (1050)	40 1/4 (1022)	*	*	*	72 (1830)	129 1/8 (3280)	61 3/8 (1560)	222 7/8 (5660)	19 5/8 (500)	31 1/2 (800)	6 1/8 (155)	33730 (15300)	35053 (15900)
48 (1200)	46 (1168)	*	*	*	81 7/8 (2080)	146 1/2 (3720)	68 1/2 (1740)	253 1/8 (6430)	26 (660)	31 1/2 (800)	8 1/2 (215)	45635 (20700)	47399 (21500)
54 (1350)	51 3/4 (1314)	*	*	*	91 (2310)	164 1/8 (4170)	77 1/2 (1970)	283 7/8 (7210)	-	-	-	57320 (26000)	61729 (28000)
56 (1400)	53 3/4 (1365)	*	*	*	94 1/2 (2400)	169 1/4 (4300)	80 3/8 (2040)	291 (7390)	-	-	-	61729 (28000)	66138 (30000)
60 (1500)	57 1/2 (1461)	*	*	*	100 3/8 (2550)	181 1/8 (4600)	85 7/8 (2180)	311 3/8 (7910)	-	-	-	70547 (32000)	74956 (34000)

\* Upon Request

Flanges up to 24 in. (600 mm) (except 22 in. (550 mm)) in accordance with ASME B16.5;  
22 in. (550 mm) and above 24 in. (600 mm) in accordance with MSS-SP-44 if applicable.

Shaded Dimensions in accordance to ISO 14313  
Butt Welding Ends according to ASME B16.25