



Steam Traps and Monitoring Equipment

The right choice in every case



Engineering steam performance

Best equipped with GESTRA steam traps

Steam traps have to work perfectly

In industry, one of steam's most important tasks is to provide thermal energy through condensation, and to heat a variety of media in heat exchangers. During this process, the steam flows through pipes and cools down more and more en route, so that condensate forms here, too.

Condensate prevents the optimum transfer of heat, but also, in particular, leads to erosion and water hammer. To enable steam systems to work reliably and efficiently, steam traps discharge any condensate that builds up, while retaining the valuable steam to the greatest possible extent. How well steam traps perform has a considerable influence on:

- **the system's reliability**
- **availability and**
- **cost efficiency.**

To achieve the very best results here, it needs valves that satisfy all the different requirements in every respect.

Flexible for different requirements

To heat water using steam, at times large quantities of condensate must be discharged as quickly as possible, so that drainage without banking-up can be guaranteed even if load and pressure are fluctuating.

If turbines or pipes with superheated steam are drained, only low condensate flowrates occur during operation. More condensate only forms on start-up. Here, the demand is for robustness, maintenance friendliness, durability and a regulator that closes reliably even at pressures above 200 barg.

This is what sets GESTRA steam traps apart

For steam system operators, the cost of energy production is a key driver. Durable steam traps that work without loss of steam help to keep these costs as low as possible. What's more, they ensure reliable and safe operation.

For decades now, GESTRA steam traps have epitomised optimum energy efficiency and absolute reliability. They satisfy the most demanding quality requirements, and their compact and modular design makes them impressive in the field. In addition, they are very maintenance-friendly and extremely easy and convenient to use.

Best quality for every need

At GESTRA you will find an extensive selection of functional types and versions to suit every requirement. In addition, we offer systems that enable you to reliably test and monitor your steam and condensate systems.

How do I get my optimum steam trap?

We find the optimum steam trap for you, with the best efficiency. To achieve this, what matters most is keeping an eye on the decisive factors:

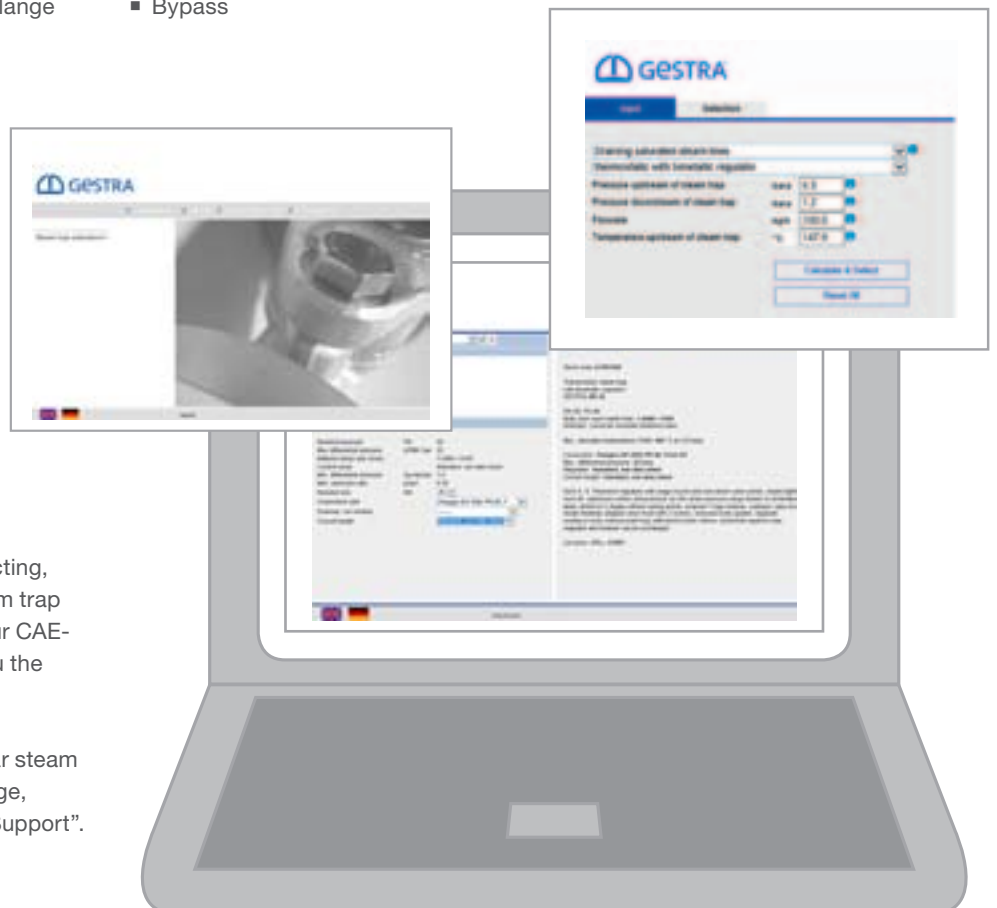
1. Requirements specific to your application
 - Saturated steam pipe
 - Superheated steam pipe
 - Steam-regulated heat exchanger
 - Unregulated heat exchanger or heating coil
 - Steam tracing where undercooling is required
 - Turbine drainage
2. System and equipment requirements
 - Pressure rating
 - Type of end connection, e.g. EN flange or socket weld end
 - Material of construction
3. Operating parameters
 - Pressure upstream from steam trap
 - Temperature upstream from steam trap
 - Pressure downstream from steam trap
 - Condensate flowrate
 - Start-up and shut-down cycles
 - Load changes
4. Additional options required
 - Monitoring
 - Dirt strainer
 - Drain valve and manual air vent
 - Manual vent valve
 - Bypass



Online design software

We are happy to advise you on selecting, sizing and configuring the right steam trap for you. But first you can also use our CAESar design software. This shows you the best way to your perfect steam trap.

You can find the easy-to-use CAESar steam trap selection range on our homepage, www.gestra.com, under “Service & Support”.



Steam traps with thermostatic pilot control for large condensate flowrates Duo Super steam traps TK 23, TK 24

Discharge rate: up to 140 tonnes of condensate an hour

TK 23 and TK 24 Duo Super steam traps are highly responsive steam traps with pilot control provided by GESTRA thermostatic capsules. They are used for discharging large and continuous condensate flowrates.

Use

These steam traps are suitable for the automatic drainage of heat exchangers.

They are especially recommended for:

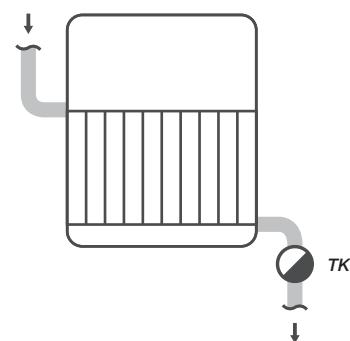
- Evaporators
- Heat exchangers with a high output
- Large boilers
- Brewing kettles
- Chemical and petrochemical processes

Advantages

- GESTRA thermostatic capsules are highly responsive – also suitable for especially low operating pressures, even below 1 barg
- Extremely good air venting performance
- Externally adjustable flowrate and response threshold, enabling optimum adaptation to current operating conditions
- Compact body with straight through design and standard face-to-face dimension
- Compact regulator unit with membrane capsule damping plate and threaded main seat

Installation example

Large boiler

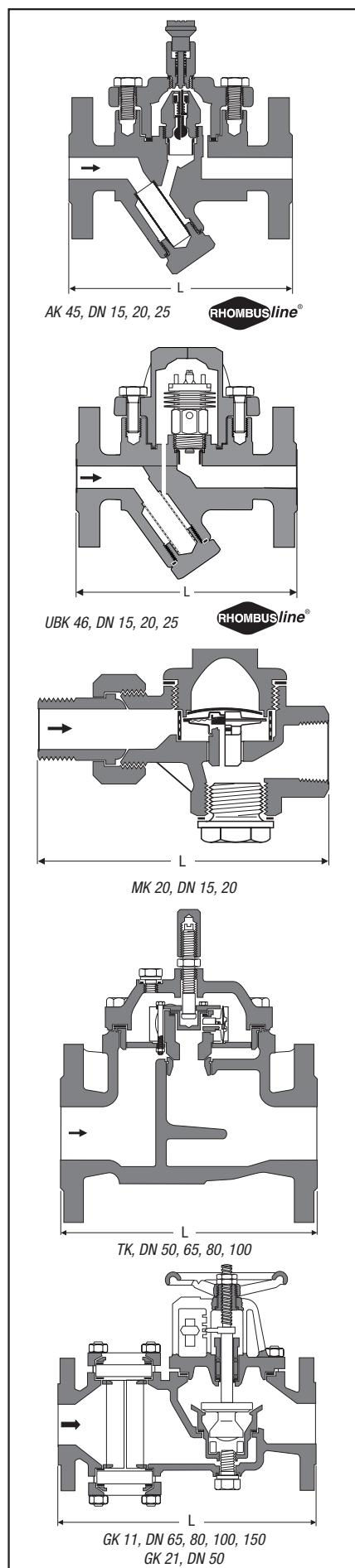


Key data

- DN 50–100 (NPS 2"–4")
- PN 16/25
- Max. differential pressure: 5 bar with 0H2 thermostatic capsules and 10 or 14 bar with 5H2 thermostatic capsules



TK 23



Application

Type	
AK 45 RHOMBUSline®	Condensate drain valve for discharging condensate from steam systems during start-up and draining residual condensate at shut-down, with integral Y-type strainer and hand purging knob. Factory-set closing pressure 0.8 bar.
UBK 46 RHOMBUSline®	Steam trap with adjustable condensate discharge temperature, thereby suppressing the formation of flash steam. With Y-type strainer.
MK 20	Steam trap for low-pressure steam-heating installations.
TK 23, TK 24	Steam trap with thermostatic pilot control using thermostatic capsules for the discharge of very large condensate flowrates with relatively continuous condensate formation.
GK 11 ¹⁾	Thermodynamic steam trap with stage nozzle for the discharge of very large condensate flowrates. With integral Vaposcope (sightglass) for optimum trap adjustment.

¹⁾ DN 50 mm: GK 21

Pressure/Temperature Ratings

Type	PN / Class	Δ PMX [bar]	Material		Max. Pressure/Temperature Rating ¹⁾			p/T	
			EN	ASTM	PMA [bar]	TMA [°C]	[bar/°C]		
AK 45	PN 40	–	1.0460	A105	40.0	450	27.6 / 300	13.1 / 450	
UBK 46	PN 40	32	1.0460	A105	40.0	450	27.6 / 300	13.1 / 450	
MK 20	PN 6	4.5	5.4202	–	6.0	300	4.5 / 250	3.6 / 300	
TK 23	PN 16	5 / 10	5.1301	A126 Cl.B ²⁾	16.0	300	16.0 / 120	10.0 / 300	
TK 24	PN 25	5 / 14	1.0619	A216 WCB	25.0	400	19.4 / 200	14.2 / 400	
GK 11, GK 21	PN 10/16	6	5.1301	A126 Cl.B ²⁾	16.0 ³⁾	300	16.0 / 120 ³⁾	13.0 / 300 ³⁾	

¹⁾ Limits for body/cover. Functional requirements may restrict the use to below the limits quoted.

For full details on limiting conditions depending on end connection and type of regulator see data sheet.

²⁾ ASTM nearest equivalent is stated for guidance. Physical and chemical properties comply with EN.

³⁾ GK 11, DN 100/150, PN 10, max. 10 bar

Available End Connections and Overall Lengths

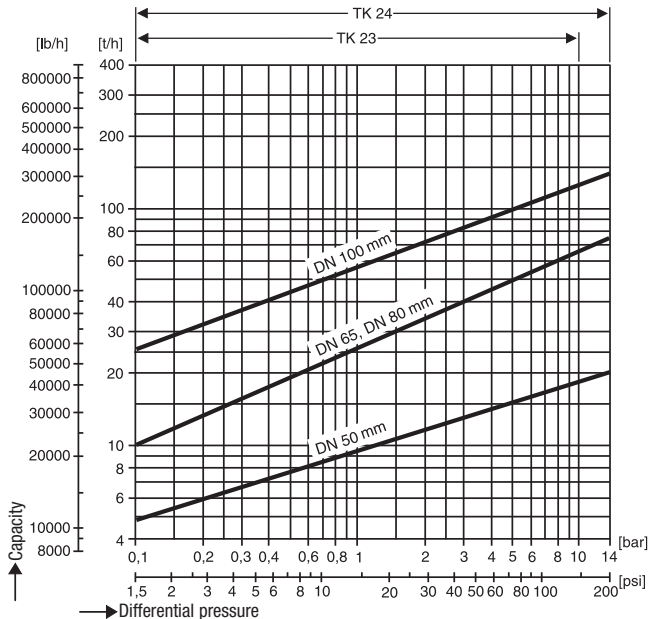
Type	Connection	Overall length (L) in mm								
		DN 10 3/8"	DN 15 1/2"	DN 20 3/4"	DN 25 1"	DN 50 2"	DN 65 2 1/2"	DN 80 3"	DN 100 4"	DN 150 6"
AK 45	Flanged EN PN 40	–	150	150	160	–	–	–	–	–
	Flanged ASME 150	–	150	150	160	–	–	–	–	–
	Flanged ASME 300	–	150	150	160	–	–	–	–	–
	Screwed sockets	–	95	95	95	–	–	–	–	–
UBK 46	Flanged EN PN 40	–	150	150	160	–	–	–	–	–
	Flanged ASME 150	–	150	150	160	–	–	–	–	–
	Flanged ASME 300	–	150	150	160	–	–	–	–	–
	Screwed sockets	–	95	95	95	–	–	–	–	–
	Socket-weld (SW)	–	95	95	95	–	–	–	–	–
MK 20 ¹⁾	Male/female thread	–	120	125	–	–	–	–	–	–
TK 23	Flanged EN PN 16	–	–	–	–	230	290	310	350	–
TK 24	Flanged EN PN 25	–	–	–	–	230	290	310	350	–
GK 11 ²⁾	Flanged EN PN 10/16	–	–	–	–	320	420	420	620	900

¹⁾ Straight-through or angle design (see representation)

²⁾ DN 50 mm: GK 21

TK 23, TK 24

For differential pressures < 1 bar use capsule "OH2"
(max. service pressure 5 bar).



GESTRA steam traps at a glance

Operating principle

Type	Materials, body, cover	Operating principle				
		Bimetallic BK	Membrane MK	Ball float UNA	Thermodynamic DK	Inverted bucket IB
AK 45	1.0460/SA105					
BK 15	1.0460/SA105	x				
BK 27N	1.5415	x				
BK 28	1.5415	x				
BK 28-ASME	1.7335/SA182-F12-2	x				
BK 29	1.7335/SA182-F12-2	x				
BK 29-ASME	1.7335/SA182-F12-2	x				
BK 36A-7	1.4408/SA351-CF8M	x				
BK 37	1.5415	x				
BK 37-ASME	A182-F12	x				
BK 45	1.0460/SA105	x				
BK 45-LT	SA350-LF2	x				
BK 46	1.5415	x				
BK 212	1.7383/A182-F22-3	x				
BK 212-F91	1.4903/SA182-F91	x				
BK 212-1.4901	1.4901 (F92)	x				
BK 212-ASME	1.7383/A182-F22-3	x				
DK 36A-7	1.4408/SA351-CF8M				x	
DK 45	1.0460/SA105				x	
DK 47-L	A743 CA40				x	
DK 47-H	A743 CA40				x	
DK 57-L	AISI 420				x	
DK 57-H	AISI 420				x	
GK 11	5.1301					
GK 21	5.1301					
IB 16A-7	SA240-304L					x
MK 20	5.4202		x			
MK 25/2	1.0460, 1.0619/SA105, SA216-WCB		x			
MK 25/2 S	1.0460, 1.0619/SA105, SA216-WCB		x			
MK 35/31	1.0460/SA105		x			
MK 35/32	1.0460/SA105		x			
MK 35/2S	1.0460/SA105		x			
MK 35/2S3	1.0460/SA105		x			
MK 36A-71	1.4408/SA351-CF8M		x			
MK 36A-72	1.4408/SA351-CF8M		x			
MK 36/51	1.4301/SA479-F304		x			
MK 36/52	1.4301/SA479-F304		x			
MK 45-1	1.0460/SA105		x			
MK 45-2	1.0460/SA105		x			
MK 45 A-1	1.4404/A182-F316L		x			
MK 45 A-2	1.4404/A182-F316L		x			
SMK 22	1.4435		x			
SMK 22-51	1.4404		x			
SMK 22-81	1.4404		x			
SMK 22-82	1.4404		x			
TK 23	5.1301					
TK 24	1.0619/SA216-WCB					
TS 36	1.4408/SA351-CF8M					
UBK 46	1.0460/SA105	x				
UC 36, UCY 36	1.4408/SA351-CF8M					
UNA 14	5.3103			x		
UNA 14P	5.3103			x		
UNA 16	1.0460, 1.0619/SA105, SA216-WCB			x		
UNA 16A	1.4404, 1.4408/A182-316L, SA351-CF8M			x		
UNA 25-PK	5.3103			x		
UNA 25-PS	5.3103			x		
UNA 27h	1.5419			x		
UNA 43	5.1301/A126-B			x		
UNA 45	1.0460, 5.3103/SA105, (A395)			x		
UNA 45 MAX	1.0460, 5.3103/SA105, (A395)			x		
UNA 46	1.0460, 1.0619/SA105, SA216-WCB			x		
UNA 46 MAX	1.0460, 1.0619/SA105, SA216-WCB			x		
UNA 46A	1.4404, 1.4408/A182-316L, SA351-CF8M			x		
UNA 46A MAX	1.4404, 1.4408/A182-316L, SA351-CF8M			x		
UNA 38	1.5415, 1.7357			x		
UNA 39	1.7335/SA182-F12			x		
UNA-Special Typ 62-B	1.0425			x		
UNA PN 25	1.0619/SA216-WCB			x		
UNA-Special PN 63	1.5419			x		

Nominal size											Nominal pressure		Max. permitted differential pressure		Hot condensate	
8 1/4"	10 3/8"	15 1/2"	20 3/4"	25 1"	40 1 1/2"	50 2"	65 2 1/2"	80 3"	100 4"	150 6"	PN	Cl	ΔPMX [bar]	ΔPMX [psi]	[kg/h]	[lb/h]
		X	X	X							40					
					X	X					40	300	22	320	2,550	5,620
					X	X					63		45	650	1,500	3,310
		X	X	X							100		85	1,230	910	2,010
		X	X	X								600	85	1,230	910	2,010
		X	X	X							160		110	1,600	980	2,160
		X	X	X								900	110	1,600	980	2,160
												300	32	465	300	660
		X	X	X							100		45	650	570	1,260
		X	X	X								600	45	650	570	1,260
		X	X	X							40	300	22	320	510	1,120
		X	X	X							40	300	22	320	510	1,120
		X	X	X							40	300	32	465	550	1,210
		X	X	X							630		275	3,988	300	660
		X	X	X							775	2500	275	3,988	300	660
											800		275	3,988	300	660
		X	X	X								2500	275	3,988	300	660
												300	32	465	400	880
		X	X	X							40	300	32	465	510	1,120
		X	X								63	600	42	610	330	730
			X	X							63	600	42	610	2,000	4,410
		X	X								63	600	42	610	550	1,210
			X	X							63	600	42	610	2,100	4,630
							X	X	X	X	16		6	87	380,000	837,740
						X					16		6	87	18,000	39,680
												300	27.6	400	750	1,650
		X	X								6		4.5	65	1,050	2,310
					X	X					40		32	465	5,500	12,130
					X	X					40		32	465	8,200	18,080
	X	X									25		21	305	360	790
	X	X									25		21	305	790	1,740
				X							40		32	465	1,800	3,970
				X							40		32	465	3,100	6,830
												300	32	465	300	660
												300	32	465	450	990
X	X	X	X									300	32	465	500	1,100
X	X	X	X									300	32	465	830	1,830
		X	X	X							40	300	32	465	610	1,340
		X	X	X							40	300	32	465	1,100	2,430
		X	X	X							40	300	32	465	610	1,340
		X	X	X							40	300	32	465	1,100	2,430
	X	X	X	X							10		6	87	270	600
	X	X	X	X							10		6	87	270	600
	X	X	X	X							10		6	87	270	600
				X							10		6	87	400	880
						X	X	X	X		16		10	145	125,000	275,570
						X	X	X	X		25		14	203	140,000	308,640
		X	X	X								300				
		X	X	X							40	300	32	465	170	370
		X	X	X								300				
		X	X	X							25		13	188	650	1,430
		X	X	X							25		16	232	1,000	2,200
		X	X	X							40	300	22	320	650	1,430
		X	X	X							40	300	22	320	650	1,430
					X						40		13	188	3,200	7,050
					X						40		13	188	610	1,340
				X	X	X					63		45	650	4,800	10,580
		X	X	X	X	X	X	X	X		16	125	13	188	26,000	57,320
					X	X	X				40	300	32	465	6,050	13,340
					X	X	X				40	300	32	465	15,500	34,170
		X	X	X	X	X	X	X	X	X	40	300	32	465	26,000	57,320
					X	X	X				40	300	32	465	15,500	34,170
		X	X	X	X	X	X				40	300	32	465	6,050	13,340
					X	X	X				40	300	32	465	15,500	34,170
		X	X	X	X	X					100		80	1,160	5,200	11,460
		X		X		X					160	900	140	2,030	6,000	13,230
									X		16		16	232	90,000	198,410
									X		25		22	320	66,000	145,500
							X	X	X		63		45	650	32,000	70,550



GESTRA AG

Münchener Str. 77 · 28215 Bremen · Germany Tel. +49 421 3503-0 info@de.gestra.com
P.O. Box 10 54 60 · 28054 Bremen · Germany Fax +49 421 3503-393 www.gestra.com

810124-12/06-2018gw (807791-14) · © 2018 · GESTRA AG · Bremen · Printed in Germany · Subject to technical modifications

