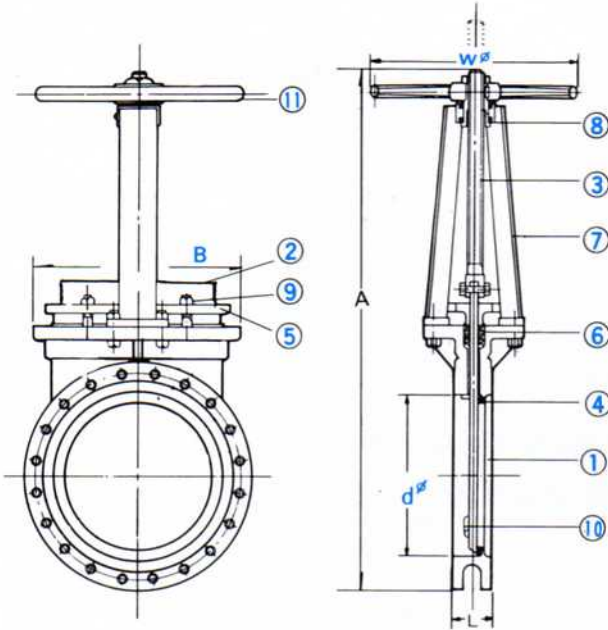


APPLICABLE FLANGES:

JIS 5K, JIS 10K, ANSI150LB, DIN PN 16

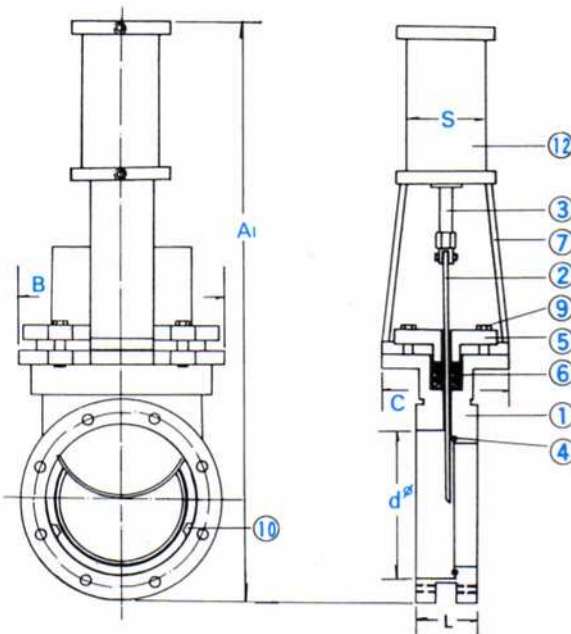


MATERIAL AND PARTS

NO.	PARTS NAME	CAST IRON	SUS 304
1	Body	FC20 FCD	CF8, CF8M
2	Plate	SUS 304 316	SUS 304 316
3	Stem	SUS 410 304	SUS 410 304
4	Seat	TEFLON	TEFLON
5	Gland	FC20	SCS 13
6	Gland Packing	Asbestos + Teflon	Asbestos + Teflon
7	Yoke	FC20	SCPH2
8	Yoke Sleeve	Cast Bronze	Cast Bronze
9	Bolt Nut	Mild Steel	SUS 304
10	Pawls	FC20	SUS 304
11	Hand Wheel	FC20	FC20
12	Cylinder	Aluminum Alloys	Aluminum Alloys

AIR CYLIND. ACCESSORIES

Solenoid Valve
 Limit Switch
 Air Filter Regulator Lubricator
 Fluid Used: Air
 Service Pressure: 4 ~ 7 Kg/cm²
 Ambient Temperature: 5 ~ 160°C



DIMENSIONS

mm

SIZE	do	L	A	Wo	B	C	A1	S
2"	64	55	440	180	130	135	590	63
2½"	78	55	440	180	130	135	590	63
3"	87	55	470	180	145	135	660	80
4"	114	55	525	220	172	145	780	80
5"	141	60	600	290	200	155	810	125
6"	160	60	680	290	225	157	980	125
8"	213	70	815	335	270	165	1240	150
10"	255	75	980	385	330	173	1440	180
12"	305	80	1100	385	385	200	1600	200
14"	355	90	1300	440	438	240	1810	250
16"	405	90	1400	440	510	260	2010	250
18"	455	130	1550	520	550	2803	2180	300
20"	505	130	1710	520	600	20	2430	350
24"	600	130	2340	520	720	360	2859	400