

Y-Type Strainer, Grooved Ends

FIG. F0522-175

Specification

- Meet or exceed the requirements of UL 321 standard.
- NPT or BSPT blowoff outlet on cover (blowoff outlets are furnished with plugs).
- Recessed seat in body assures accurate screen alignment.
- Round holes with 60 degrees staggered.
- Excellent flow characteristics and low pressure losses at high flow rates.
- Grooved connections are cut in accordance with AWWA C606 or other standard groove specifications for steel.

- UL 321/ULC listed.
- GOST certificated.

Working Pressure and Temperature

- 175 psi @ 0 °C to 120 °C.

Corrosion Protection

- Fusion bonded coating interior and exterior meet or exceed all applicable of AWWA C550 standard.

Options

- Spray painted.

Material Specification

Part	Material	ASTM Specification
Body	Ductile Iron	A536 Grade 65-45-12
Cover	Ductile Iron	A536 Grade 65-45-12
Screen	Stainless Steel	A276 Grade 304
Body/Cover Gasket	PTFE / Graphite	Commercial
Body/Cover Bolts	Carbon Steel	A307 Grade B
Plug	Malleable Iron	A47 Grade 22010

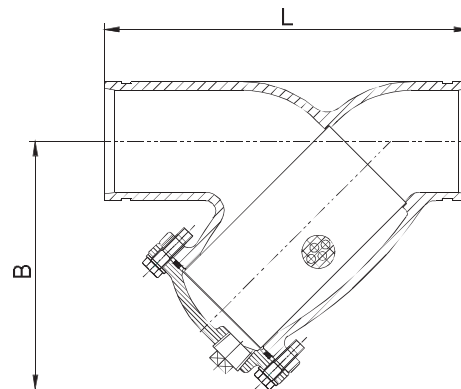
Standard Screens(mm/inch)

Size	Hole Diameter	Free Flow Area Opening
2.5"	3.0/0.12	53.60%
3" to 5"	4.3/0.17	55.43%
6" to 10"	6.0/0.24	63.00%
12"	6.3/0.25	40.70%

Main Dimensions (mm/inch)

Size	2.5	3	4	5	6	8	10	12
L	285/11.25	318/12.50	375/14.75	448/17.63	502/19.75	640/25.20	710/28.00	780/30.71
B	215/8.50	220/8.65	254/10.00	330/13.00	370/14.50	470/18.50	545/21.50	610/24.00
Plug Size	1"	1"	1"	1-1/4"	1-1/2"	1-1/2"	2"	2"

Schematic



Notes

- Designs, materials and specifications shown are subject to change without notice due to the continuous development of our products.