

Wafer Swing Check Valve

FIG. 5301

Specifications

- The short face to face dimension and compact design of this valve allow installation and service in tight spaces.
- Spring assisted for better dynamic behavior.
- Soft sealed for perfect tightness even at low differential pressure.
- Available with flanges EN1092-2 PN10 or PN16, ANSI B16.1 Class125 (Other types available on request).

Working Pressure

- 16 bar, 200psi.

Working Temperature

- -10°C to 120 °C for EPDM seat.
- -10°C to 82 °C for NBR seat.
- -10°C to 150 °C for Viton seat.

Corrosion Protection

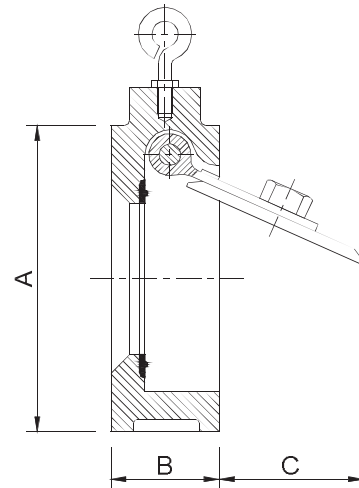
- Internally and externally liquid epoxy painted or fusion bonded epoxy powder coated (FBE).

Material Specifications

Part Name	Material	EN Specification	ASTM Specification
Body	Grey Cast Iron	EN1561, EN-GJL-250	A126 Class B
Clapper	Stainless Steel	EN 10088 X5CrNi18-10	A351 Grade CF8
Hinge Arm	Stainless Steel	EN 10088 X5CrNi18-10	A351 Grade CF8
Seat	Rubber	EN681, EPDM, NBR or Viton	D2000
Hinge Pin	Stainless Steel	EN10088, X20Cr13	A276 Grade 420
Spacer	Plastic	Commercial, PTFE	Commercial, PTFE
Spring	Stainless Steel	EN 10088 X5CrNi18-10	A276 Type 304

- Ductile Iron construction DN350 and larger size.

Schematic



Dimensions(mm)

Size	A			B	C
	Table D / E Flange	ANSI 125# / 150# Flange	EN1092-2 PN16 Flange		
DN50	98	102	106	44.5	27
DN65	111	121	126	48	47
DN80	130	134	141	51	45
DN100	162	172	161	57	65
DN125	194	194	191	63.5	100
DN150	216	220	217	70	121
DN200	273	277	272	73	176
DN250	337	337	337	79	220
DN300	384	407	382	86	270
DN350	444	447	446	108	310
DN400	495	511	515	108	320
DN450	558	546	550	108	370
DN500	615	602	610	140	410
DN600	723	715	733	152	480

Notes

- Designs, materials and specifications shown are subject to change without notice due to the continuous development of our products.