

Wafer Double Door Check Valve

FIG. 5304

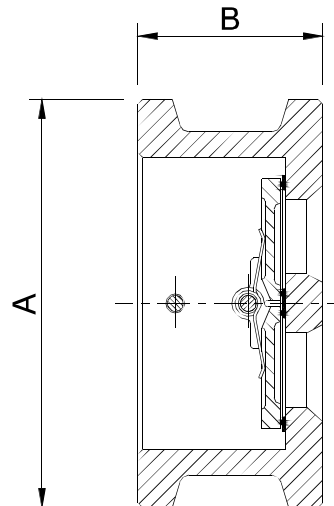
Specifications

- The short face to face dimension and compact design of this valve allow installation and service in tight spaces.
- Spring assisted for better dynamic behavior.
- Soft sealed for perfect tightness even at low differential pressure.
- Available with flanges EN1092-2 PN10 or PN16, ANSI B16.1 Class125 (Other types available on request).

Working Pressure and Temperature

- 16 bar / 40bar / 200psi / 300psi rated at -10°C to 150 °C.

Schematic



Material Specifications

Part Name	Material	EN Specification	ASTM Specification
Body	Stainless Steel	EN10088, X5CrNi	A351 Grade CF8/CF8M
Disc	Stainless Steel	EN10088, X5CrNi	A351 Grade CF8/CF8M
Seat	Viton	Commercial	Commercial
Hinge Pin	Stainless Steel	EN10088, X5CrNi	A276 Type 316
Stop Pin	Stainless Steel	EN10088, X5CrNi	A276 Type 316
Pin Retainer	Stainless Steel	EN10088, X5CrNi	A276 Type 316
Spring	Stainless Steel	EN 10088 X5CrNi18-10	A276 Type 304
Washer	Plastic	Commercial, PTFE	Commercial, PTFE
Gasket	Viton	Commercial	Commercial

Dimensions(mm)

Size	A			B
	Table D / E Flange	ANSI 125# / 150# Flange	EN1092-2 PN16 Flange	
DN50	106	106	106	54
DN65	126	125	126	54
DN80	141	144	141	57
DN100	165	176	165	64
DN125	190	211	190	70
DN150	220	246	220	76
DN200	287	303	280	95
DN250	349	356	337	108
DN300	414	417	397	143
DN350	471	480	454	184

Notes

- Designs, materials and specifications shown are subject to change without notice due to the continuous development of our products.