

Thin Check Valve SS Body and Disc & CS Body and Disc

FIG. 5315
FIG. 5316

Specifications

- The short face to face dimension and compact design of this Valve allow installation and service in tight spaces.
- Soft sealed for perfect tightness even at low differential pressure.
- Flanged and drilling complies with EN1092-2 PN10/16;ANSI B 16.1 Class125 .

Working Pressure and Temperature

- 16 bar/250 psi rated at -10°C to 150°C.

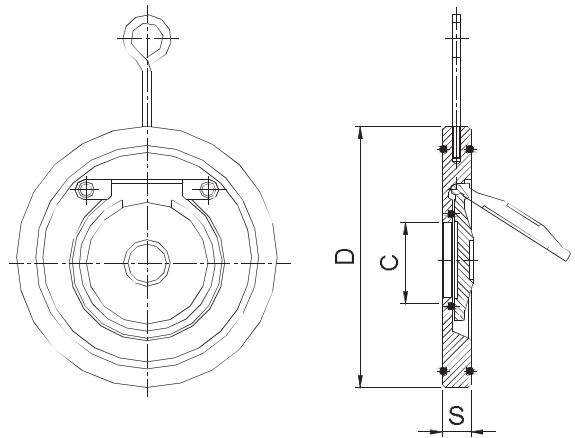
Corrosion Protection

- Internally and externally Cr plated for carbon steel body and disc.

Material Specifications

Part	Material	EN Specification	ASTMSpecification
Body	Stainless Steel	EN 10213, GX5CrNiMo19-11-2	A351 Grade CF8M
	Carbon Steel	EN 10213, GP240 GH	A27 Grade 450-240
Cover	Stainless Steel	EN 10213, GX5CrNiMo19-11-2	A351 Grade CF8M
	Carbon Steel	EN 10213, GP240 GH	A27 Grade 450-240
Hook	Carbon Steel, Zinc Plate		
O-Ring	Rubber	Viton	
Holder	Stainless Steel	EN 10213, GX5CrNiMo19-11-2	A351 Grade CF8M

Schematic



Main Dimensions (mm)

Size	DN50	DN65	DN80	DN100	DN125	DN150	DN200	DN250	DN300	DN350	DN400	DN450	DN500	DN600
S	14	14	15	18	18	20	22	26	28	36	41	50	56	56
D	104	122	134	171.5	194	220	276	337	407	447	511	546	602	714
C	31.8	40	51.3	70	91.5	110	163	192	234	270	315	359	410	490

Notes

- Designs, materials and specifications shown are subject to change without notice due to the continuous development of our products.