

Materials :

No.	Parts	Material	Standard
1	Body	Cast Iron	BS EN1561
2	Bonnet	Cast Iron	BS EN1561
3	Disc	Cast Iron	BS EN1561
4	Body seat ring	Bronze	BS EN1982
5	Disc seat ring	Bronze	BS EN1982
6	Stem	Brass	BS EN12164
7	Disc hanger	Bronze	BS EN1982
8	Lock washer	Brass	BS EN1652
9	Gland	Cast Iron	BS EN1561
10	Screw bush	Bronze	BS EN1982
11	Hand wheel	Cast Iron	BS EN1561
12	Hexagon Nut	Steel	
13	Washer	Steel	
14	Set screw	Brass	
15	Stud blot	Steel	
16	Hexagon Nut	Steel	
17	Stud blot	Steel	
18	Hexagon Nut	Steel	
20	Gasket	Non-Asbestos	
21	Packing	Non-Asbestos	
22	Name Plate	Aluminum	



Name Plate Contents

Dimensions (mm) :

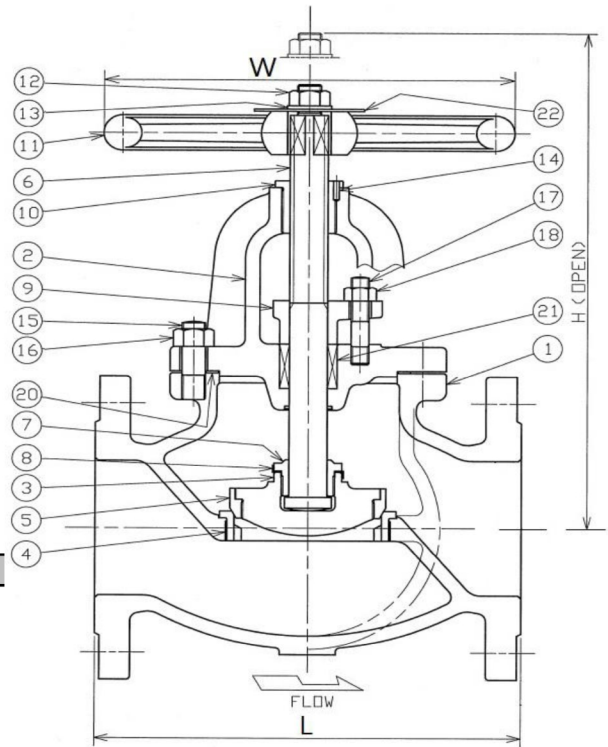
Nominal Size	65	80	100	125	150	200	250
L	216	241	292	330	356	495	622
H	289	329	367	398	457	561	665
W	200	224	280	315	355	450	500
Weight Kg	18	22	34	47	73	122	240

Remark: L is manufacturer's standard.

Working Pressure and Test Pressure :

Flange Standard	Working Pressure	Hydraulic Test Pressure
BS EN1092-2 PN16	16 bar (Non-Shock) at -10 ~ 120 deg. C	Body Seat 24 bar 17.6 bar





Materials :

No.	Parts	Material	Standard
1	Body	Cast Iron	BS EN1561
2	Bonnet	Cast Iron	BS EN1561
3	Disc	Cast Iron	BS EN1561
4	Body seat ring	Bronze	BS EN1982
5	Disc seat ring	Bronze	BS EN1982
6	Stem	Brass	BS EN12164
7	Disc hanger	Bronze	BS EN1982
8	Lock washer	Brass	BS EN1652
9	Gland	Cast Iron	BS EN1561
10	Screw bush	Bronze	BS EN1982
11	Hand wheel	Cast Iron	BS EN1561
12	Hexagon Nut	Steel	
13	Washer	Steel	
14	Set screw	Brass	
15	Stud blot	Steel	
16	Hexagon Nut	Steel	
17	Stud blot	Steel	
18	Hexagon Nut	Steel	
20	Gasket	Non-Asbestos	
21	Packing	Non-Asbestos	
22	Name Plate	Aluminum	
-	Coating	Blue powder epoxy	



Name Plate Contents

Dimensions (mm) :

Nominal Size	65	80	100	125	150	200	250
L	216	241	292	330	356	495	622
H	289	329	367	398	457	561	665
W	200	224	280	315	355	450	500
Weight Kg	18	22	34	47	73	122	240

Remark: L is manufacturer's standard.

Working Pressure and Test Pressure :

Flange Standard	Working Pressure	Hydraulic Test Pressure	
BS EN1092-2 PN16	16 bar (Non-Shock) at 60 deg. C & below	Body 24 bar	Seat 17.6 bar