

Pressure Relief Valve

FIG. F1319

Specifications

- Relief valve: Limits inlet pressure by relieving excess pressure.
- Pressure sustaining: Prevents pipe line pressure from rising to a maximum valve.
- Operates over a wide flow range.
- Inlet pressure adjustment range: 65~180psi.
- Quick opening and adjustable closing speed.
- Flanged to EN 1092-2PN10/PN16, ANSI B16.1 Class125. (Other available on request)
- Grooved ends to AWWA C606 Standard.

- UL 1478 listed.
- GOST certificated.

Working Pressure and Temperature

- 300psi @ 0°C~82°C.

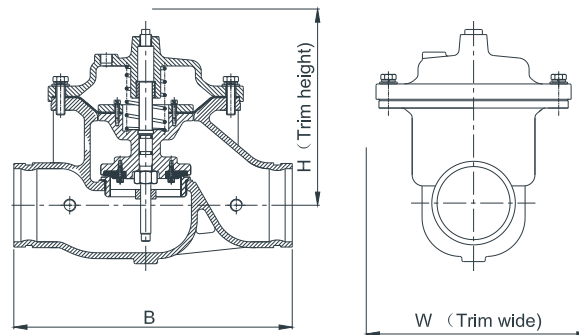
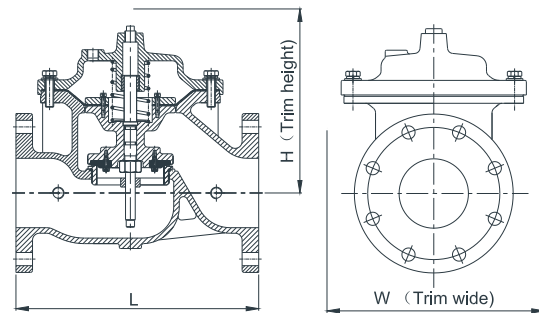
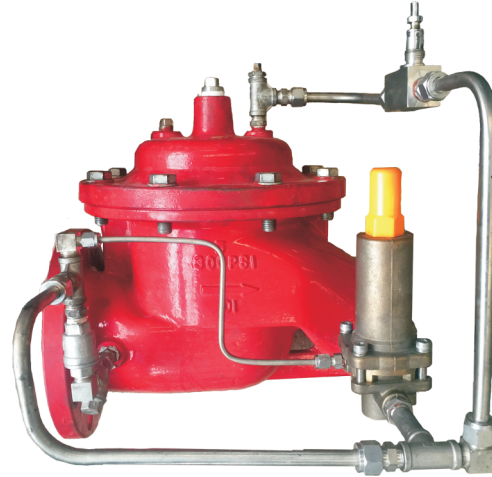
Corrosion Protection

- Fusion bonded coating interior and exterior meet or exceed all applicable of AWWA C550 standard.

Material Specifications

| Part | Material | ASTM Specification |
|-------------------------|--------------------------------------|---------------------|
| Body | Ductile Iron | A536 Grade 65-45-12 |
| Bonnet | Ductile Iron | A536 Grade 65-45-12 |
| Seat | Stainless Steel | A276 Grade 304 |
| Stem | Stainless Steel | A276 Grade 304 |
| Spring | Stainless Steel | A276 Grade 304 |
| Diaphragm | Nylon Reinforced, NBR/Natural Rubber | |
| Seat Disc | NBR/EPDM | |
| Pressure Reducing Pilot | Bronze | B62 C62300 |

Schematic



Main Dimensions (mm /inch)

| Size | DN40 | DN50 | DN65 | DN80 | DN100 | DN125 | DN150 | DN200 | DN250 | DN300 |
|------|----------|----------|-----------|-----------|-----------|-----------|-----------|-----------|-----------|-----------|
| L | 200/7.87 | 230/9.05 | 290/11.42 | 310/12.2 | 350/13.78 | 400/15.75 | 480/18.9 | 600/23.6 | 730/28.75 | 850/33.46 |
| B | 220/8.66 | 241/9.48 | 290/11.42 | 325/12.8 | 381/15 | 419/16.5 | 508/20 | 645/25.4 | 762/30 | 900/35.43 |
| H | 180/7.1 | 200/7.9 | 215/8.46 | 265/10.45 | 310/12.2 | 360/14.2 | 380/15 | 450/17.75 | 570/22.45 | 690/27.2 |
| W | 410/16.2 | 420/16.6 | 440/17.35 | 455/18 | 470/18.5 | 490/19.3 | 540/21.25 | 590/23.23 | 640/25.2 | 690/27.2 |

Notes

- 1.5" to 8" valves are UL listed.

Designs, materials and specifications shown are subject to change without notice due to the continuous development of our products.