

PBV® Mega Star Series 6336 Threaded Ball Valve

Mega Star Series

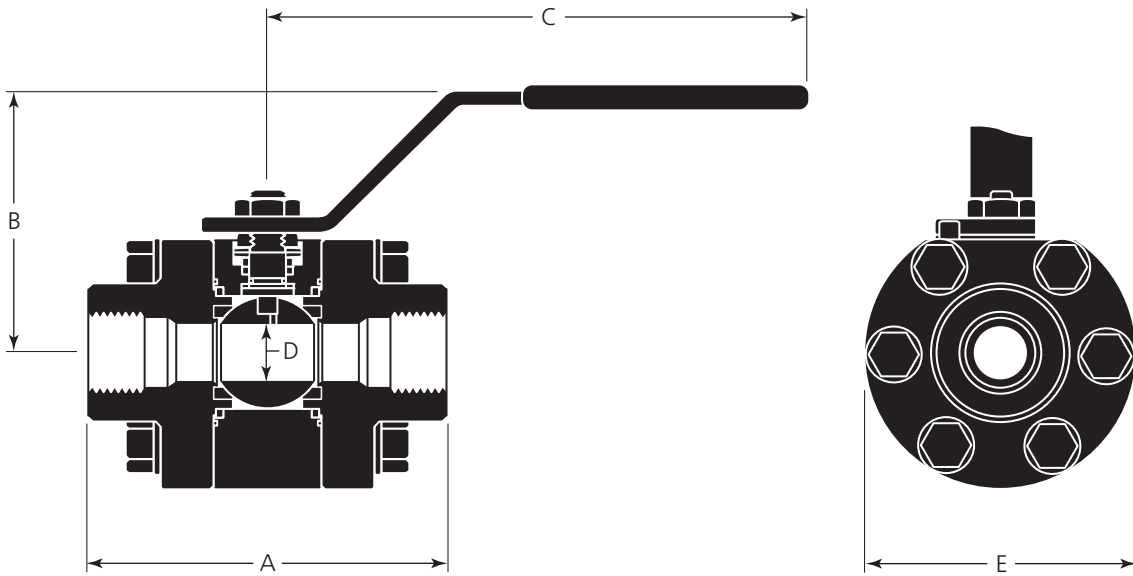
Standard Features

Series 6336: Full Port 1/4" - 1", 6000 psi, 1 1/4" - 2", 4000 psi

- Encapsulated Devlon® Seats
- Three-Piece Bolted Construction
- Grafoil® Packing
- Double Body Seals
- Firesafe to API 607
- NACE MR0175
- Available in Forged A350 LF2 and F316 Body Materials, 316 Stainless Steel Ball & Stem
- Standard ISO 5211 Mounting Pad for Valves 3/4" & Larger



Dimensional Data (in.)

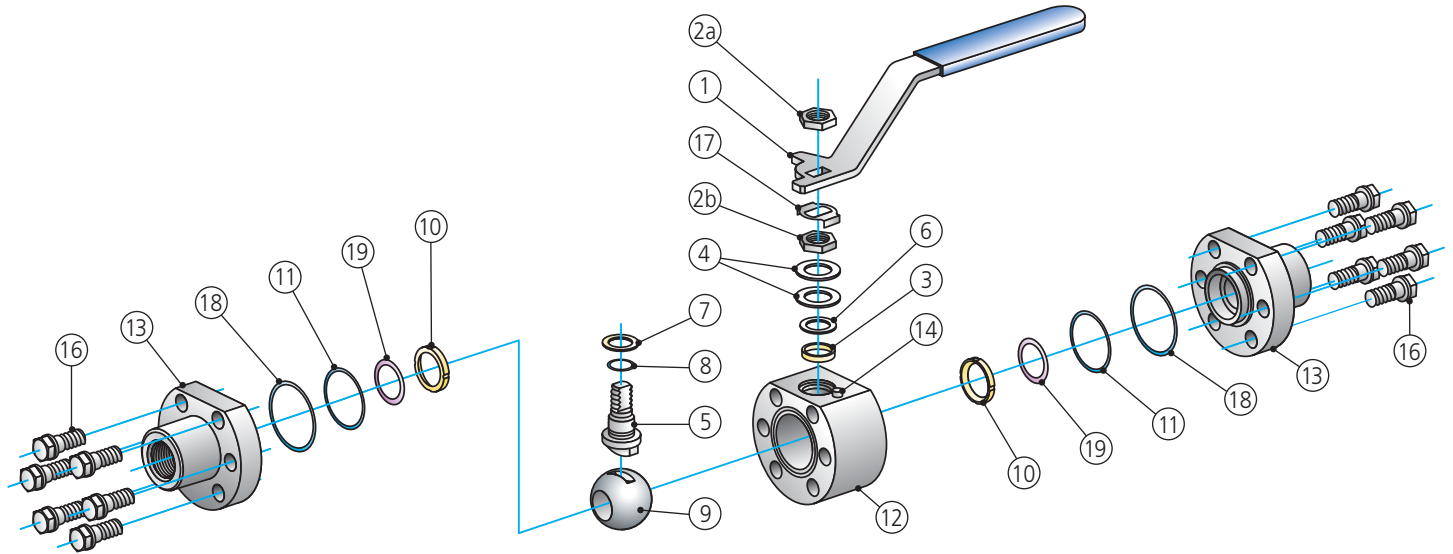


Series 6333, Full Port • 1/4" - 2"

Size (in.)	Dimensions (in.)						Weight (lbs.)	
	A (Thrd)	A (SW)	B	C	D	E	Thrd	SW
1/4	4.00	8.50	3.35	7.60	0.44	3.15	6.6	8.9
3/8	4.00	8.50	3.35	7.60	0.44	3.15	6.6	8.9
1/2	4.00	8.50	3.35	7.60	0.44	3.15	6.6	8.9
3/4	5.00	9.00	3.75	7.60	0.61	3.85	2.25	14.4
1	5.50	10.00	4.33	8.85	0.83	4.33	14.4	17.8
1 1/4	6.70	11.00	5.50	13.75	1.34	5.32	30.0	36.5
1 1/2	6.70	12.00	5.50	13.75	1.34	5.32	30.0	37.8
2	7.85	14.50	5.90	13.75	1.70	5.90	41.0	52.2

PBV® Series 6336 Threaded Ball Valve

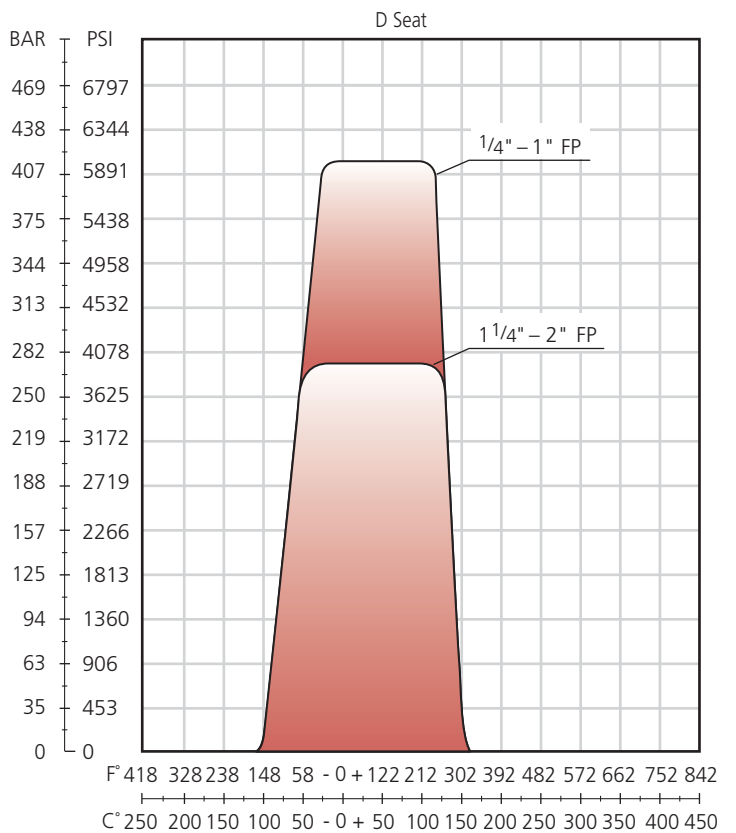
Parts & Engineering Data



Parts & Materials

No.	Qty.	Description	Materials, Series 6336	
			A350 LF2	F316
1	1	Handle	CS Galvanized Plastic Cover	
2a/2b	2	Nut	CS Cadmium Plated	316 SS
3	1	Packing Ring	Graphite	
4	2	Spring Washer	Stainless Steel	
5	1	Antistatic Stem	316 SS	
6	1	Gland Follower	316 SS	
7	1	Thrust Washer	RPTFE	
8	1	Stem O-Ring	Viton®	
9	1	Ball	316 SS	
10	2	Seats	Devlon® V	
11	2	Body Seal	Graphite	
12	1	Body	ASTM A350 LF2	ASTM A182 F316
13	2	End Connections	ASTM A350 LF2	ASTM A182 F316L
14	1	Stop Pin	Carbon Steel	304 SS
16	6/8/10	Bolt	ASTM A193 L7M	ASTM A193 B8M
17	1	Stop Washer	Stainless Steel	
18	2	Body Seal	Viton®	
19	2	Seat Ring	PTFE	

Pressure Temperature



Soft Parts Repair Kit

No.	Qty.	Part Name	Materials
3	1	Packing Ring	Graphite
7	1	Thrust Washer	RPTFE
8	1	Stem O-Ring	Viton®
10	2	Seats	Devlon® V
11	2	Body Seals	Graphite
18	2	Body Seals	Viton®

Flow Coefficient (C_v)

Full Port, Size (in.)							
1/4	3/8	1/2	3/4	1	1 1/4	1 1/2	2
8	8	8	25	34	100	100	100

Flow Data: Flow rates were determined for ball valves in fully open position and a water temperature of 60°F (15°C). C_v value is the full capacity flow rate through the ball valve in gallons/min. of water at 60°F with a pressure of one psi.