

PBV® Multi-Port Series 5339/6339 Threaded & Socketweld Ball Valves

4-Way Multi-Port Series

Standard Features

Series 5339 Reduced Port 1/2" - 3", 1500 psi

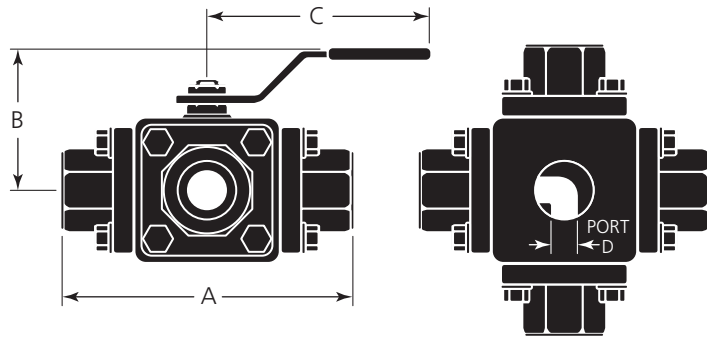
Series 6339 Full Port 1/4" - 2 1/2", 1500 psi

- Four-Way Bolted Construction
- Available in Forged A350 LF2 & F316 Body Materials, 316 Stainless Steel Ball & Stem
- Carbon Filled PTFE Seats
- Double Body Seals
- Grafoil® Packing
- Standard ISO 5211 Mounting Pad
- NACE MR0175
- Available in T, L or X Port Configurations

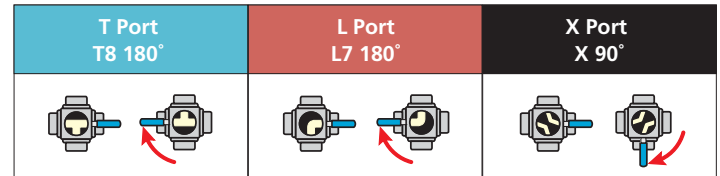
Note: Firesafe not Available Due to Design Configuration



Dimensional Data (in.)



Available Port Configurations



T & L Port Configurations

Series 5339, Reduced Port • 1/2" - 3"

Size (in.)	Dimensions (in.)					Weight (lbs.)
	A (Thrd)	A (SW)	B	C	D	
1/2	4.45	4.45	2.75	6.00	0.44	5.0
3/4	4.70	4.70	2.95	7.60	0.56	6.6
1	5.90	5.90	3.40	7.60	0.83	11.0
1 1/4	6.25	6.25	3.85	8.85	1.00	15.4
1 1/2	7.15	7.15	4.45	8.85	1.25	22.0
2	7.90	7.90	4.65	8.85	1.55	30.0
2 1/2	10.30	11.90	5.30	16.54	1.93	121.3
3	16.65	16.65	6.50	16.54	2.51	143.3

Series 6339, Full Port • 1/4" - 2 1/2"

Size (in.)	Dimensions (in.)					Weight (lbs.)
	A (Thrd)	A (SW)	B	C	D	
1/4	4.45	4.45	2.75	6.00	0.44	5.0
3/8	4.45	4.45	2.75	6.00	0.44	5.0
1/2	4.70	4.70	2.95	7.60	0.56	6.6
3/4	5.90	5.90	3.40	7.60	0.83	11.0
1	6.25	6.25	3.85	8.85	1.00	15.4
1 1/4	7.15	7.15	4.45	8.85	1.25	22.0
1 1/2	7.90	7.90	4.65	8.85	1.50	30.0
2	10.30	11.90	5.30	16.54	1.93	121.3
2 1/2	16.65	16.65	6.50	16.54	2.50	143.3

X Port Configurations

Series 5339, Reduced Port • 1/2" - 3"

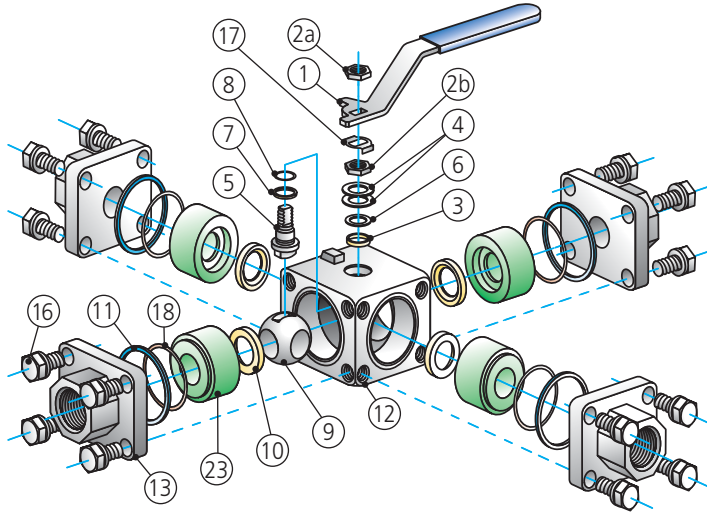
Size (in.)	Dimensions (in.)					Weight (lbs.)
	A (Thrd)	A (SW)	B	C	D	
1/2	4.70	4.70	2.95	7.60	0.25	7.5
3/4	5.90	5.90	3.40	7.60	0.47	12.0
1	6.25	6.25	3.85	8.85	0.71	17.0
1 1/4	7.20	7.20	4.45	8.85	1.10	23.5
1 1/2	7.90	7.90	4.65	8.85	1.28	32.0
2	10.30	11.90	5.30	16.54	1.34	125.0
2 1/2	16.65	16.65	6.50	16.54	1.65	150.5

Series 6339, Full Port • 1/4" - 2 1/2"

Size (in.)	Dimensions (in.)					Weight (lbs.)
	A (Thrd)	A (SW)	B	C	D	
1/4	4.70	4.70	2.95	7.60	0.25	7.5
3/8	4.70	4.70	2.95	7.60	0.25	7.5
1/2	5.90	5.90	3.40	7.60	0.47	12.0
3/4	6.25	6.25	3.85	8.85	0.71	17.0
1	7.20	7.20	4.45	8.85	0.83	23.5
1 1/4	7.90	7.90	4.65	8.85	1.10	32.0
1 1/2	10.30	11.90	5.30	16.54	1.34	125.0
2	16.65	16.65	6.50	16.54	1.65	150.5

PBV® Multi-Port Series 5339/6339 Threaded & Socketweld Ball Valves

Parts & Engineering Data



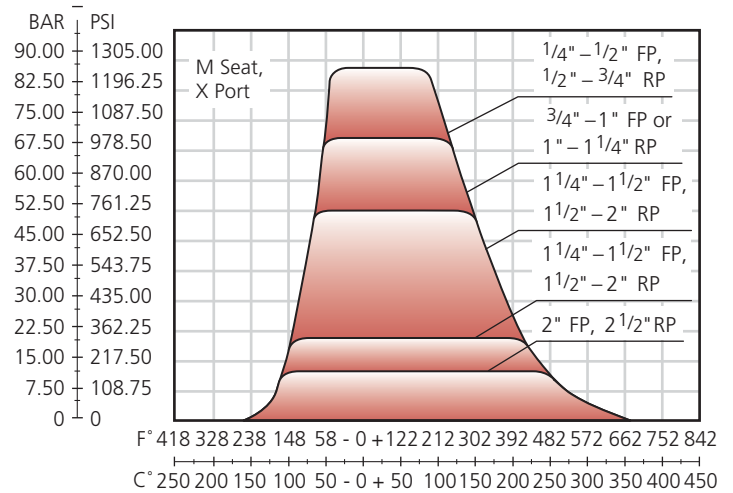
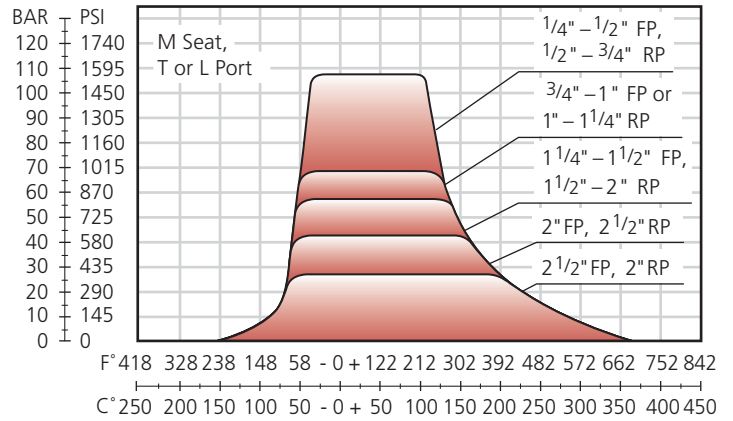
Parts & Materials

No.	Qty.	Description	Std. Materials, 5339/6339	
			A350 LF2/316	F316/F316
1	1	Handle	CS Galvanized Plastic Cover	
2a/2b	2	Nut	CS Cadmium Plated	A194 Gr.8
3	1	Packing Ring	Graphite	
4	2	Spring Washer	302 SS	
5	1	Antistatic Stem	316 SS	
6	1	Gland Follower	ASTM A182 F316L	
7	1	Thrust Washer	PTFE + 25% Carbographite	
8	1	Stem O-Ring	Viton®	
9	1	Ball	ASTM A182 F316	
10	4	Seats	RPTFE	
11	4	Body Seal	Graphite	
12	1	Body	ASTM A350 LF2	ASTM A182 F316
13	4	End Connections	ASTM A350 LF2	ASTM A182 F316L
14	1	Stop Pin	Carbon Steel	Stainless Steel
16	16	Bolt	ASTM A193 L7M	ASTM A193 B8M
17	1	Stop Washer	SS ASTM A182 F316	
18	4	Body Seal	TFMC	
23	4	Seat Retainer	ASTM A350 LF2	A182 F316

Soft Parts Repair Kit

No.	Qty.	Part Name	Materials	
			T or L Port	X Port
3	1	Packing Ring	Graphite	Graphite
7	1	Thrust Washer	RPTFE	RPTFE
8	1	Stem O-Ring	Viton®	Viton®
10	4	Seats	Devlon® V	20% C 5% Gr. Filled PTFE
11	4	Body Seals	RTFE	Graphite
18	4	Body Seals	Graphite	Viton®

Pressure Temperature



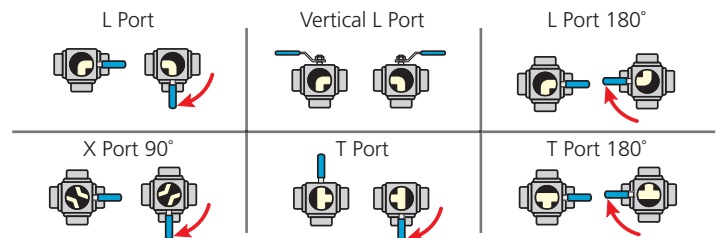
Flow Coefficient (C_v)

Reduced Port, Size (in.)								
—	1/2	3/4	1	1 1/4	1 1/2	2	2 1/2	3
—	5.6	10.5	24	40	60	87.5	175	223

Full Port, Size (in.)								
—	1/2	3/4	1	1 1/4	1 1/2	2	2 1/2	—
—	—	10.5	24	40	60	87.5	175	—

X Port, Size (in.)								
1/4	3/8	1/2	3/4	1	1 1/4	1 1/2	2	2 1/2
2.8	2.8	2.8	9.5	22	36	60	90	164

C_v Values Apply to the Port Configurations Shown Below:



Flow Data: Flow rates were determined for ball valves in fully open position and a water temp. of 60°F (15°C). C_v value is the full capacity flow rate through the ball valve in gal./min. of water at 60°F with a pressure of 1 psi. **Note:** When T Port works like the 2-way valves, use C_v values for PBV 5331/6331 and deduct 50%.