

# PBV® Master Star Series 5333/6333 Threaded & Socketweld Ball Valves

## Master Star Series

The Master Star Series offers the best possible design for socketweld ends. The swing-out body feature and seat arrangements make welding the ends into line virtually problem free, when the welder follows recommended welding practices. Available with integral nipples.

### Standard Features

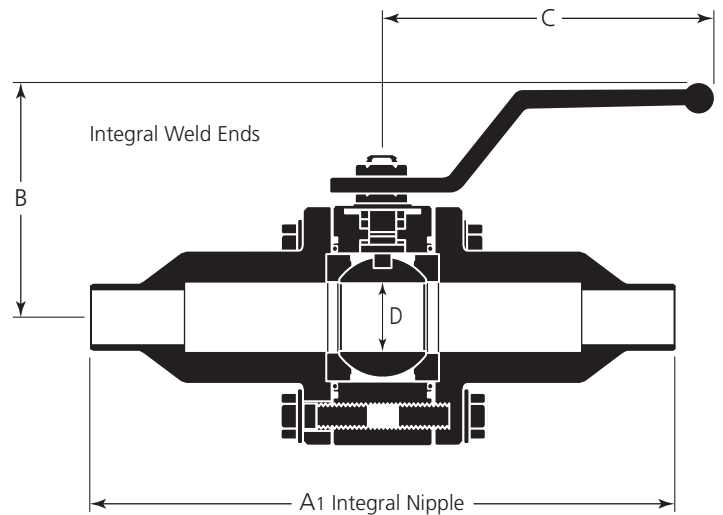
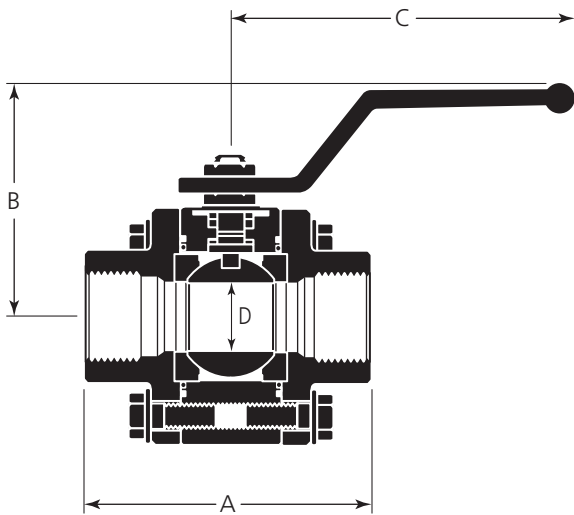
**Series 5333: 1/2" - 2", 2000 psi**

**Series 6333: 1/4" - 1 1/2", 2000 psi**

- Three-Piece Bolted Construction
- Carbon Filled PTFE Seats; Grafoil® Packing
- Double Body Seals (Grafoil® & PTFE)
- Available in Forged A350 LF2 & F316 Body Materials, 316 Stainless Steel Ball & Stem
- Integral Nipples Available as a Factory Option
- ISO 5211 Mounting Pad



## Dimensional Data (in.)



**Series 5333, Reduced Port, NPT or SW • 1/2" - 2"**

Size (in.)	Dimensions (in.)					Wt. (lbs.)
	A	A1	B	C	D	
1/2	2.9	9.3	2.6	6.0	0.44	2.2
3/4	3.2	9.4	2.7	6.0	0.56	2.6
1	3.9	9.8	3.2	7.5	0.83	4.8
1 1/4	4.3	10.3	3.6	7.5	1.00	6.8
1 1/2	4.7	10.7	4.2	9.0	1.25	9.2
2	5.5	11.0	4.4	9.0	1.50	12.1

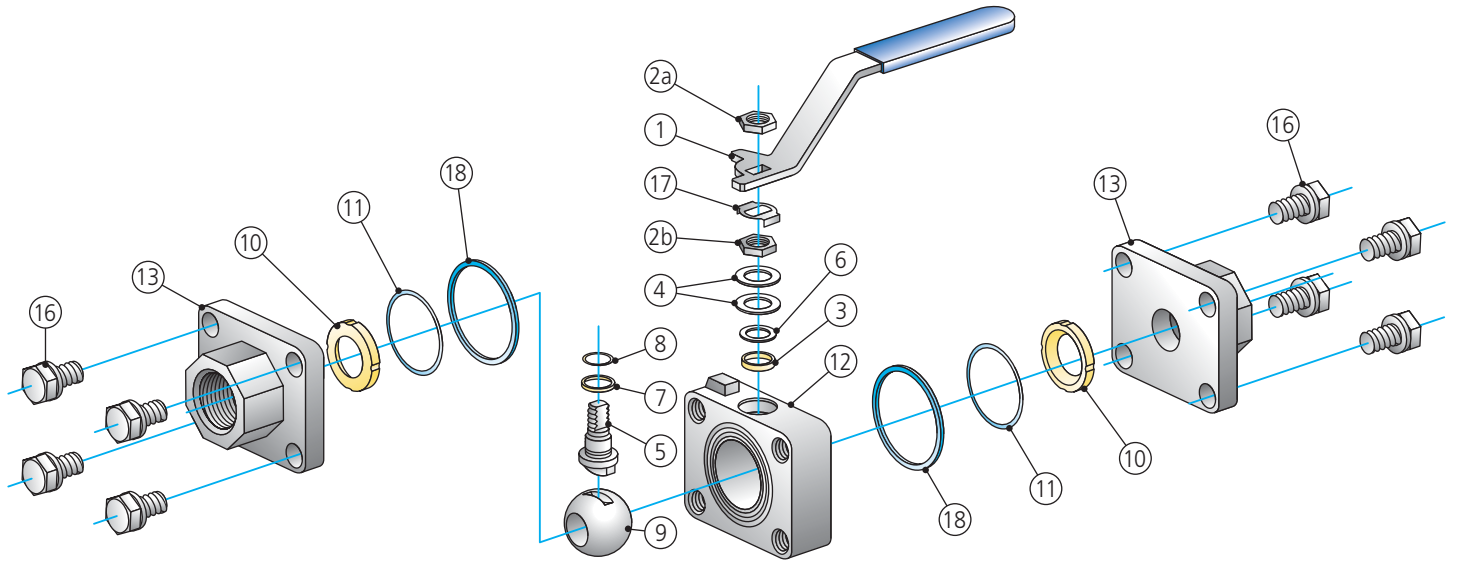
**Series 6333, Full Port, NPT or SW • 1/4" - 1 1/2"**

Size (in.)	Dimensions (in.)					Wt. (lbs.)
	A	A1	B	C	D	
1/4	2.9	9.3	2.6	6.0	0.44	2.4
3/8	2.9	9.3	2.6	6.0	0.44	2.2
1/2	3.2	9.4	2.7	6.0	0.56	2.8
3/4	3.9	9.8	3.2	7.5	0.83	5.0
1	4.3	10.3	3.6	7.5	1.00	7.0
1 1/4	4.7	10.7	4.2	9.0	1.25	9.5
1 1/2	5.5	11.0	4.4	9.0	1.50	12.8

**Note:** Socketweld ends without nipple extensions will result in seat damage during welding for sizes smaller than 2 1/2".

# PBV® Master Star Series 5333/6333 Threaded & Socketweld Ball Valves

## Parts & Engineering Data



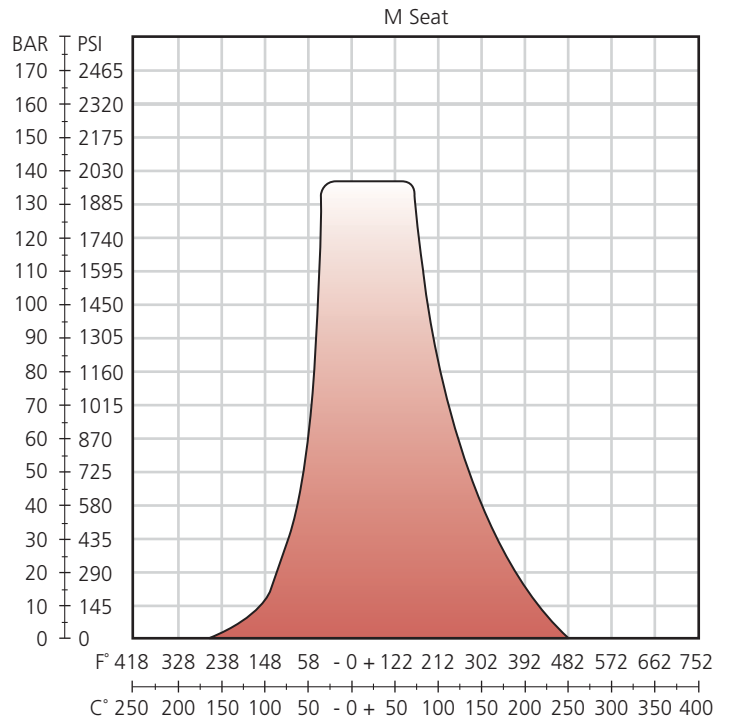
### Parts & Materials

No.	Qty.	Description	Std. Materials, Ser. 5333/6333	
			A350 LF2	F316
1	1	Handle	CS Galvanized Plastic Cover	
2a/2b	2	Nut	CS Zinc Plated	316 SS
3	1	Packing Ring	Graphite	
4	2	Spring Washer	302 SS	
5	1	Antistatic Stem	316 SS	
6	1	Gland Follower	316 SS	
7	1	Thrust Washer	RPTFE	
8	1	Stem O-Ring	Viton®	
9	1	Ball	316 SS	
10	2	Seats	20% C 5% Graph. Filled TFE	
11	2	Body Seal	TFMC	
12	1	Body	ASTM A350 LF2	ASTM A182 F316
13	2	End Connections	ASTM A350 LF2	ASTM A182 F316L
14	1	Stop Pin	Integral or CS	Integral or SS
16	8	Bolt	ASTM A193 L7M	ASTM A193 B8M
17	1	Stop Washer	316 SS	
18	2	Body Seal	Graphite	

### Soft Parts Repair Kit

No.	Qty.	Part Name	Materials
3	1	Packing Ring	Graphite
7	1	Thrust Washer	RPTFE
8	1	Stem O-Ring	Viton®
10	2	Seats	20% C 5% Graph. Filled PTFE
11	2	Body Seals	TFMC
18	2	Body Seals	Graphite

### Pressure Temperature



### Flow Coefficient (C<sub>v</sub>)

Reduced Port, Size (in.)									
—	1/2	3/4	1	1 1/4	1 1/2	2	2 1/2	3	4
—	8	13	32	48	82	120	275	460	700

Full Port, Size (in.)									
1/4	3/8	1/2	3/4	1	1 1/4	1 1/2	2	2 1/2	3
8	8	12	30	45	78	115	265	445	680

**Flow Data:** Flow rates were determined for ball valves in fully open position and a water temperature of 60°F (15°C). C<sub>v</sub> value is the full capacity flow rate through the ball valve in gallons/min. of water at 60°F with a pressure of one psi.