

## C515 NRS Resilient Seated Gate Valve FL x PO Ends & PO x PO Ends

**FIG. F0218-300/250**  
**FIG. F0288-300/250**

### Specifications

- Meet or exceed the requirements of AWWA C515 standard.
- Full waterway.
- 2" Square Operating Nut.
- Rubber fully encapsulated ductile iron wedge.
- Triple O-Ring stem seal.
- Face to face dimension complies with ASME B16.10.
- Flange and drilling complies with ASTM B16.1 Class 125.
- Push-on joint outlet complies with ANSI/AWWA C153/A21.53.

- UL/ULC 262 listed, FM 1120/1130 approved.

### Corrosion Protection

- Fusion bonded coating interior and exterior meet or exceed all applicable of AWWA C550 standard.

### Options

- 200 psi or 250 psi rated.
- ASTM B150 or other standard bronze stem.
- ASTM A276 Grade 316 stem.
- Stainless steel fasteners: A2-70 or A4-70.
- Without post flange.
- Other flange types available upon request.

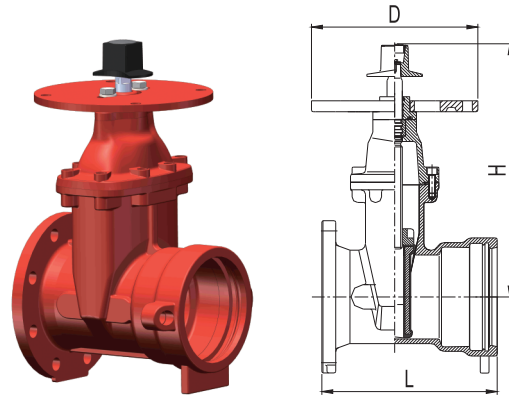
### Material Specifications

Part	Material	ASTM Specification
Body	Ductile Iron	A536 Grade 65-45-12
Wedge	EPDM Fully Encapsulated Ductile Iron	
Wedge Nut	Bronze	B148 C95200
Bonnet	Ductile Iron	A536 Grade 65-45-12
Stem	Stainless Steel	A276 Grade 304
Gland	Ductile Iron	A536 Grade 65-45-12
Thrust Collar	Bronze	B148 C95200
Operating Nut	Ductile Iron	A536 Grade 65-45-12
Post Flange	Ductile Iron	A536 Grade 65-45-12
Fasteners	Carbon Steel	A307 Grade B
Body/Bonnet Gasket	EPDM	D2000

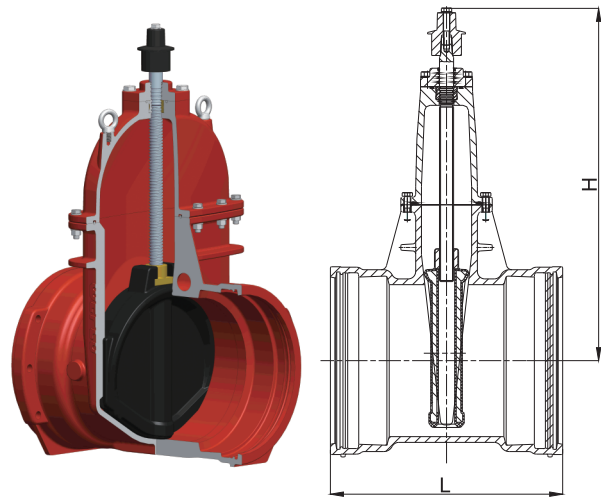
### Working Pressure and Temperature

- 300 psi rated @ -10°C to 82°C for 4" to 12"
- 250 psi rated @ -10°C to 82°C for 14" to 16"

### Schematic



**FIG. F0128-300, FL x PO, Size 4" to 12"**  
**FIG. F0288-300, PO x PO, Size 4" to 12"**



**FIG. F0218-250/200, FL x PO, Size 14" to 16"**  
**FIG. F0288-250/200, PO x PO, Size 14" to 16"**

### Main Dimensions (mm/inch)

Size	4	6	8	10	12	14	16
L-FL x PO	277/10.9	322/12.7	373/14.7	399/15.7	415/16.3	472/18.6	516/20.3
L-PO x PO	326/12.8	376/14.8	454/17.9	468/18.4	473/18.6	562/22.0	625/24.5
H	350/13.75	465/18.3	559/22.0	635/25.0	724/28.5	876/34.5	940/37.0
D	305/12.0	305/12.0	305/12.0	305/12.0	305/12.0	305/12.0	305/12.0

### Notes

- Designs, materials and specifications shown are subject to change without notice due to the continuous development of our products.