

C515 NRS Resilient Seated Gate Valve FL x MJ Ends & MJ x MJ Ends

FIG. F0213-300/250/200 FIG. F0233-300/250/200

Specifications

- Meet or exceed the requirements of AWWA C515 standard.
- Full waterway.
- 2" Square Operating Nut.
- Rubber fully encapsulated ductile iron wedge.
- Triple O-Ring stem seal.
- Face to face dimension complies with ASME B16.10.
- Flange and drilling complies with ASTM B16.1 Class 125.
- Mechanical joint outlet complies with ANSI/AWWA C153/A21.53.

- UL/ULC 262 listed, FM 1120/1130 approved.
- Certificated to ANSI/NSF 61 & 372.

Corrosion Protection

- Fusion bonded coating interior and exterior meet or exceed all applicable of AWWA C550 standard.

Options

- 200 psi or 250 psi rated.
- ASTM B150 or other standard bronze stem.
- ASTM A276 Grade 316 stem.
- Stainless steel fasteners: A2-70 or A4-70.
- Without post flange.
- Other flange types available upon request.

Material Specifications

Part	Material	ASTM Specification
Body	Ductile Iron	A536 Grade 65-45-12
Wedge	EPDM Fully Encapsulated Ductile Iron	
Wedge Nut	Bronze	B148 C95200
Bonnet	Ductile Iron	A536 Grade 65-45-12
Stem	Stainless Steel	A276 Grade 304
Gland	Ductile Iron	A536 Grade 65-45-12
Thrust Collar	Bronze	B148 C95200
Operating Nut	Ductile Iron	A536 Grade 65-45-12
Post Flange	Ductile Iron	A536 Grade 65-45-12
Fasteners	Carbon Steel	A307 Grade B
Body/Bonnet Gasket	EPDM	D2000

Working Pressure and Temperature

- 300 psi rated @ -10°C to 82°C for 3" to 12"
- 250 psi rated @ -10°C to 82°C for 14" to 18"
- 200 psi rated @ -10°C to 82°C for 20" to 24"

Schematic

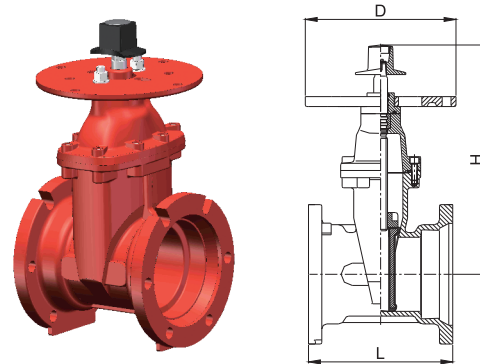


FIG. F0213-300, FL x MJ, Size 3" to 12"
FIG. F0233-300, MJ x MJ, Size 3" to 12"

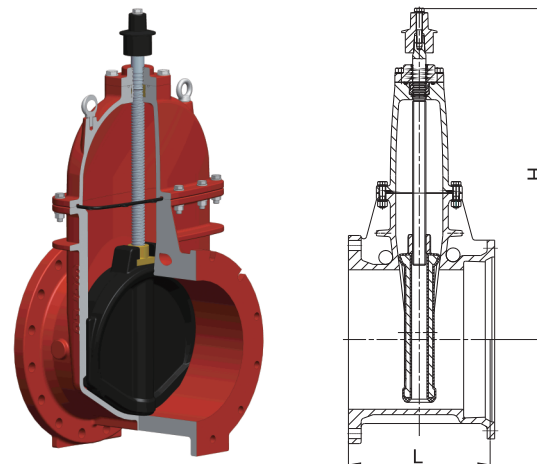


FIG. F0213-250, FL x MJ, Size 14" to 18"
FIG. F0213-200, FL x MJ, Size 20" to 24"
FIG. F0233-250, MJ x MJ, Size 14" to 18"
FIG. F0233-200, MJ x MJ, Size 20" to 24"

Main Dimensions (mm/inch)

Size	3	4	6	8	10	12	14	16	18	20	24
L-FL x MJ	222/8.75	241/9.5	280/11.0	305/12.0	353/13.9	368/14.5	406/16	419/16.5	432/17.0	457/18.0	508/20.0
L-MJ x MJ	241/9.5	254/10.0	292/11.5	318/12.5	375/14.75	378/14.9	432/17.0	432/17.0	432/17.0	457/18.0	508/20.0
H	323/12.7	350/13.75	465/18.3	559/22.0	635/25.0	724/28.5	876/34.5	940/37.0	1055/41.5	1150/45.3	1295/51.0
D	N/A	305/12.0	305/12.0	305/12.0	305/12.0	305/12.0	305/12.0	558/22.0	305/12.0	305/12.0	305/12.0

Notes

- Designs, materials and specifications shown are subject to change without notice due to the continuous development of our products.