

C515 NRS Resilient Seated Gate Valve FL x GR Ends & GR x GR Ends

FIG. F0212-300
FIG. F0222-300

Specifications

- Meet or exceed the requirements of AWWA C515 standard.
- Full waterway.
- Handwheel or 2" Square Operating Nut.
- Rubber fully encapsulated ductile iron wedge.
- Triple O-Ring stem seal.
- Face to face dimension complies with ASME B16.10 and EN558 series 3.
- Flange and drilling complies with ASTM B16.1 Class 125.
- Grooved ends dimensions meet AWWA C606 standard or other IPS pipe.
- UL/ULC 262 listed, FM 1120/1130 approved and GOST certificated.
- Certificated to ANSI/NSF 61 & 372.

Corrosion Protection

- Fusion bonded coating interior and exterior meet or exceed all applicable of AWWA C550 standard.

Options

- 200 psi or 250 psi rated.
- ASTM B150 or other standard bronze stem.
- ASTM A276 Grade 316 stem.
- Stainless steel fasteners: A2-70 or A4-70.
- Without post flange.
- Other flange types available upon request.

Material Specifications

Part	Material	ASTM Specification
Body	Ductile Iron	A536 Grade 65-45-12
Wedge	EPDM Fully Encapsulated Ductile Iron	
Wedge Nut	Bronze	B148 C95200
Bonnet	Ductile Iron	A536 Grade 65-45-12
Stem	Stainless Steel	A276 Grade 304
Gland	Ductile Iron	A536 Grade 65-45-12
Thrust Collar	Bronze	B148 C95200
Operating Nut	Ductile Iron	A536 Grade 65-45-12
Post Flange	Ductile Iron	A536 Grade 65-45-12
Fasteners	Carbon Steel	A307 Grade B
Body/Bonnet Gasket	EPDM	D2000

Working Pressure and Temperature

- 300 psi rated @ -10°C to 82°C for 2" to 12"

Schematic

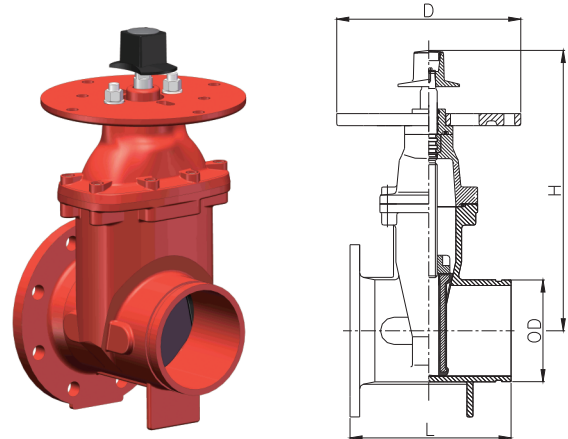


FIG. F0212-300, FL x GR

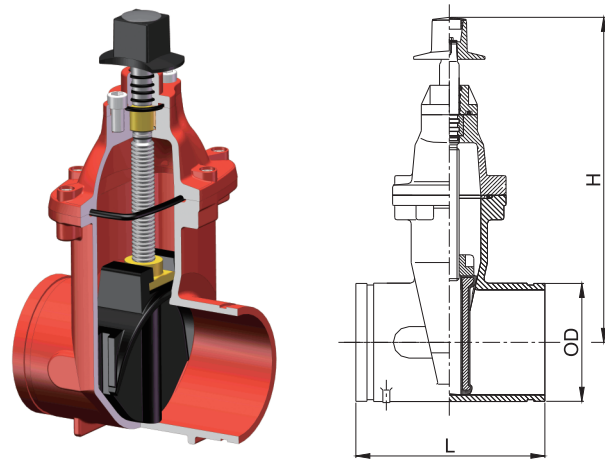


FIG. F0222-300, GR x GR

Main Dimensions (mm/inch)

Size	2	2.5	3	4	5	6	8	10	12
OD	60.3/2.37	73.0/2.87	88.9/3.5	114.3/4.5	139.7/5.5	165.1/6.5	219.1/8.63	273.0/10.75	323.9/12.75
		76.1/3.0			141.3/5.56	168.3/6.63			
L	178/7.0	190/7.5	203/8.0	229/9.0	254/10.0	267/10.5	292/11.5	330/13.0	356/14.0
H	265/10.5	297/11.7	323/12.7	350/13.75	412/16.25	465/18.3	559/22.0	635/25.0	724/28.5
D	N/A	N/A	N/A	305/12.0	305/12.0	305/12.0	305/12.0	305/12.0	305/12.0

Notes

- 2.5" to 12" valves are ULC listed.
- Designs, materials and specifications shown are subject to change without notice due to the continuous development of our products.